



Part no.: 50132997
MSI-EM-IO84NP-01
Non-safe I/O module



Figure can vary

Contents

- Technical data
- Dimensioned drawings
- Electrical connection
- Circuit diagrams
- Notes

Technical data

Basic data	
Series	MSI-EM
Application	Processing of non-safe signals
Number of safe I/Os	4 IN, 4 OUT, 4 programmable I/O
Functions	
Functions	Extension with 4 non-safe inputs, 4 non-safe outputs and 4 non-safe freely programmable I/Os (OSSDs) Non-safe extension module for the MSI 400 configurable safety control
Characteristic parameters	
Mission time T_M	20 years , EN ISO 13849-1
Electrical data	
Performance data	
Supply voltage U_B	24 V , DC , -30 ... 25 %
Power consumption, max.	0.5 W
Output circuit	
Number of outputs	4 Piece(s)
Number of configurable inputs/outputs	4 Piece(s)
Type of digital output	Transistor
Short circuit protection, outputs	Yes
Min. voltage permitted at the output	16.2 V
Max. voltage permitted at the output	30 V
Total output current, max.	4 A
Nominal output current per output, max.	0.5 A
Control circuit	
Number of inputs	4 Piece(s)
Voltage permitted at the input	30 V
Input current at signal 1	3 mA
Interface	
Type	Internal bus (SBUS+)
Connection	
Number of connections	1 Piece(s)
Connection 1	
Type of connection	Terminal
Function	Signal IN Signal OUT Voltage supply
Type of terminal	Screw terminal
No. of pins	16 -pin
Cable properties	
Connection cross sections	1 x 0.2 to 2.5 mm ² , wire 1 x 0.2 to 2.5 mm ² , wire 1 x 0.25 to 2.5 mm ² , wire with wire-end sleeve 2 x 0.2 to 1.0 mm ² , wire 2 x 0.2 to 1.0 mm ² , wire 2 x 0.25 to 1.0 mm ² , wire with wire-end sleeve

Mechanical data

Dimension (W x H x L)	22.5 mm x 96.5 mm x 120.8 mm
Net weight	180 g
Housing color	Gray
Type of fastening	Snap-on mounting

Environmental data

Ambient temperature, operation	-25 ... 65 °C
Ambient temperature, storage	-25 ... 70 °C
Relative humidity (non-condensing)	10 ... 95 %

Certifications

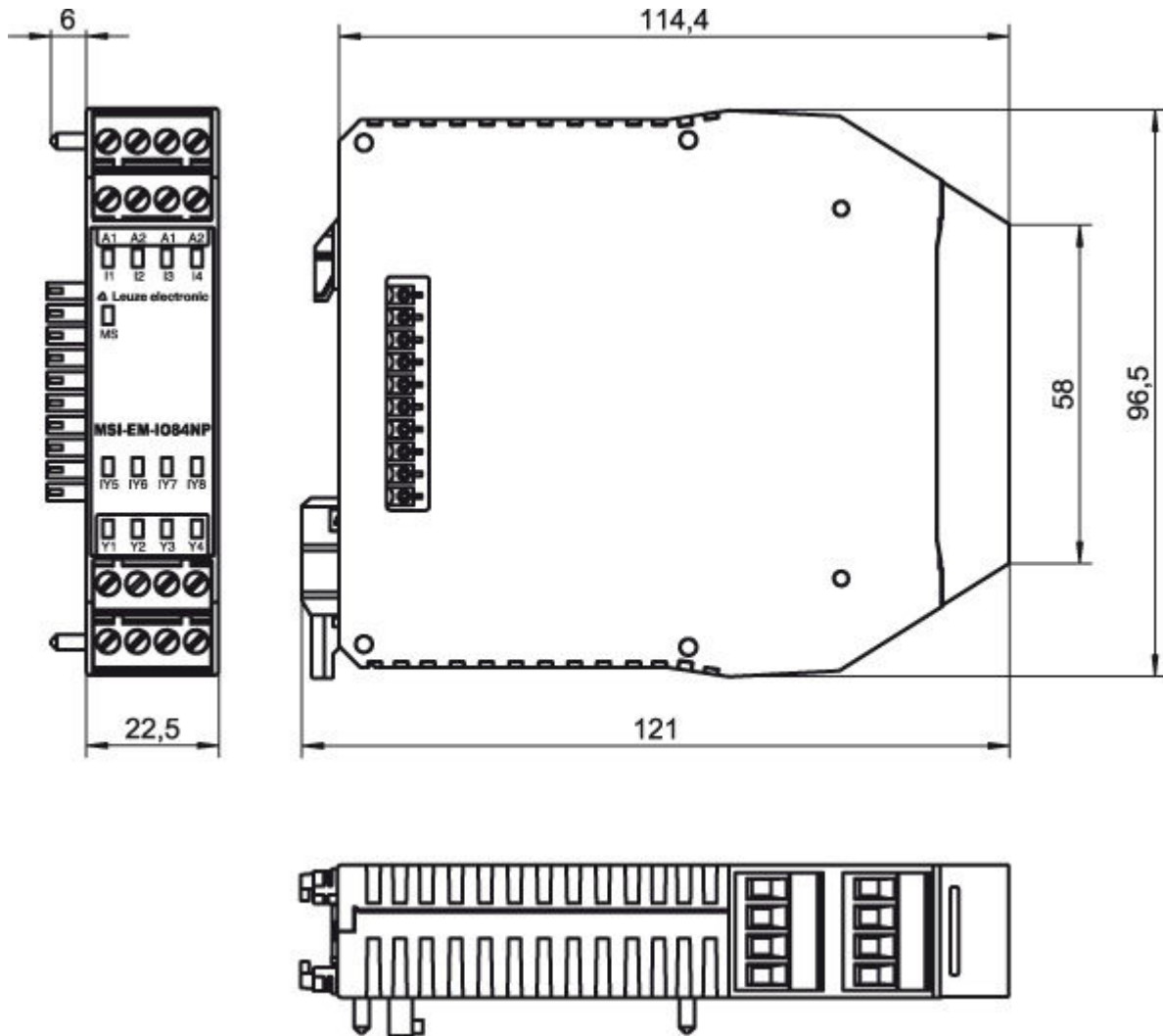
Degree of protection	IP 20 (terminals) IP 40 (housing)
Protection class	III
Certifications	c UL US
Vibration resistance	5 ... 150 Hz
Test procedure for oscillation in accordance with standard	EN 60068-2-6
Shock resistance, single shock	30 g, 11 ms, EN 60068-2-27

Classification

Customs tariff number	85371091
eCl@ss 8.0	27242204
eCl@ss 9.0	27242204
ETIM 5.0	EC001419
ETIM 6.0	EC001419

Dimensioned drawings

All dimensions in millimeters



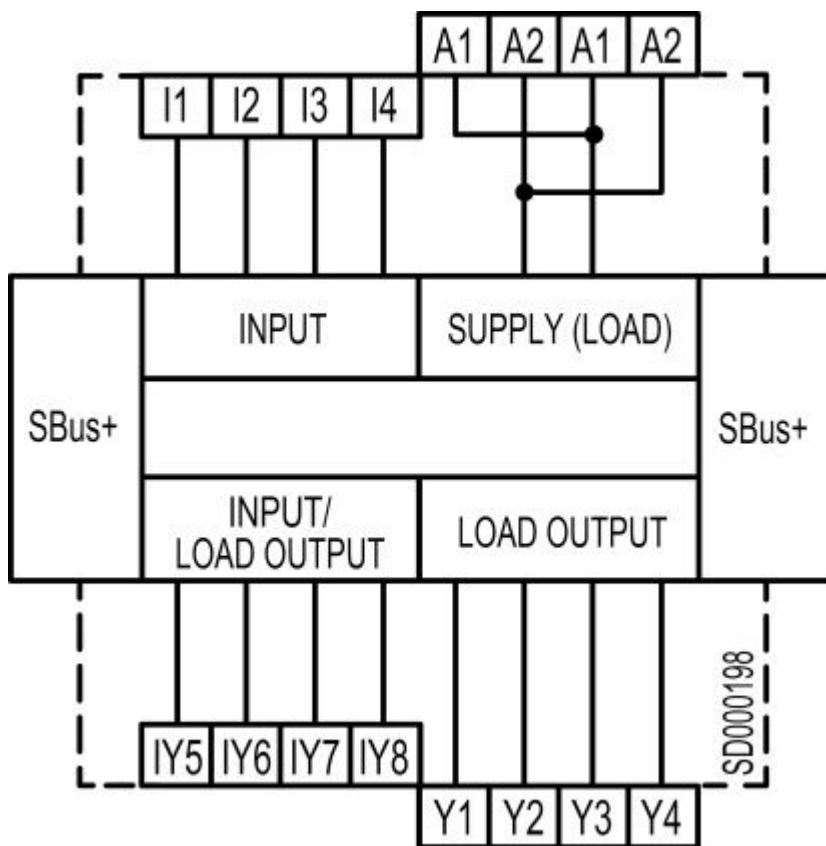
Electrical connection

Connection 1	
Type of connection	Terminal
Function	Signal IN Signal OUT Voltage supply
Type of terminal	Screw terminal
No. of pins	16 -pin

Terminal	Assignment
A1	+24V
A1	+24V
A2	GND
A2	GND
I1	Input
I2	Input
I3	Input
I4	Input
IY5	Input/output (configurable)

Terminal	Assignment
IY6	Input/output (configurable)
IY7	Input/output (configurable)
IY8	Input/output (configurable)
Y1	Output
Y2	Output
Y3	Output
Y4	Output

Circuit diagrams



Notes

Observe intended use!

- The product may only be put into operation by competent persons.
- Only use the product in accordance with its intended use.