



## Micro push button switch 145MR/MG

### With night and function illumination.

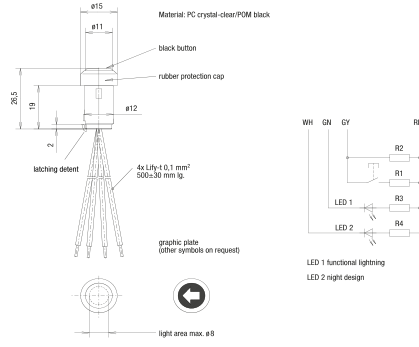
Micro push button switch 145MR with function and night illumination is equipped with practical snap-in mounting. This Micro push button switch is designed for applications in which only low currents flow and a mechanical switch cannot therefore be used. Micro push button switch 145MR/MG, with the two-colour illumination function, is ideally suited for use in the automotive engineering sector, e.g. in joystick handles or armrests. The switching element, which is completely separated from the mechanics, resists dust, dirt and moisture, thanks to its IP67 protection class.

### Technical specifications

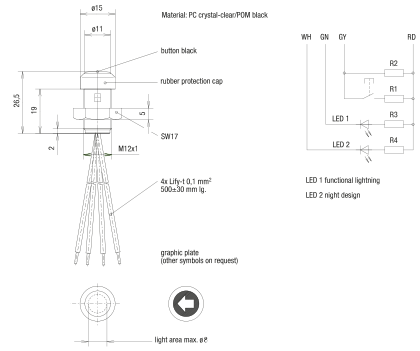
- 2 illumination colours can be controlled
- Long service life thanks to the magnetic actuation principle
- Available with various button colours and symbols to suit the application
- Wear-free reed contacts for low switching currents
- 2.5mm button stroke
- IP67 protection class for harsh operating conditions
- Optionally available with NAMUR wiring
- Can be connected with various common connectors e.g. Molex or AMP

**Technical drawing**

**IMAGE 1/2: 145MR**



**IMAGE 2/2: 145MG**



## Electrical data

Attribute	145MR...
Max. switching voltage	24 V DC
Max. switching current	0.1 A
Max. switching power	1 W
Max. switching power	1 VA

## Mechanical data

Attribute	145MR...
Service life, mechanical (Cycles)	2000000

## Environmental conditions

Attribute	145MR...
Protection class, electronic	IP67 DIN EN 60529
Operating temperature min.	-40 °C
Max. operating temperature	85 °C
Min. storage temperature	-40 °C
Max. storage temperature	85 °C

## Installation

Attribute	145MR...
Installation	from above
Mounting type	Latching detent

## Connection

Attribute	145MR...
Cable length	0.5 m