



## Universal switch 151U...A

Universal switch 151 U.. ..A with two switching levels for operation of the turn signal, horn and headlamp-flash functions.

The Steering column switch 151 U can be used in agricultural vehicles, construction machinery and self-propelled machinery. Using proven technology, these steering column switches are robust and reliable even under tough working conditions.

### Technical specifications

- Space-saving design
- Various actuation types: no-detent/detent actuation
- Temperature range -30 °C to +80 °C
- Optionally with large handle (Ø17 mm) or flat handle (24 x 38 mm)

### Technical drawing

IMAGE 1/2: UNIVERSALSCHALTER 151U MIT ZWEI ODER DREI SCHALTEBENEN

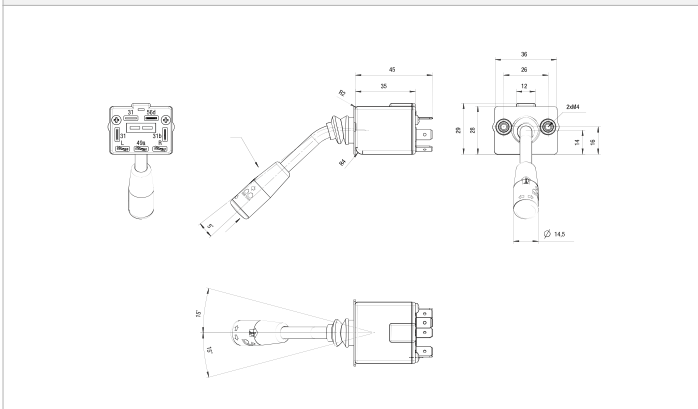
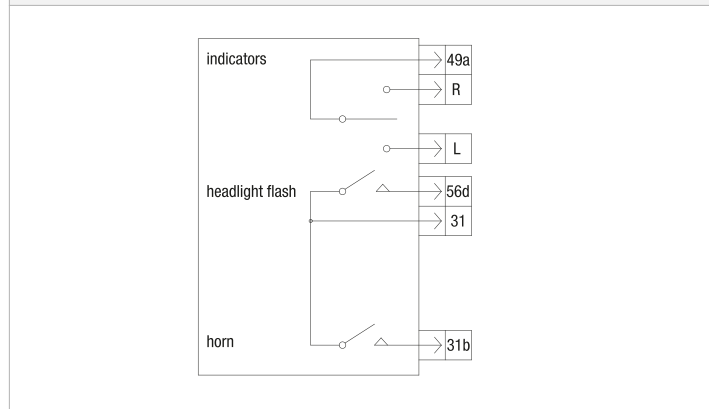


IMAGE 2/2: UNIVERSALSCHALTER 151 U.. A ZWEI SCHALTEBENEN



## Electrical data

Attribute	151UM.A..	151UN.A..
Contact form	mechanical	
Turn signal - max. switching voltage	12 V DC	48 V DC
Turn signal - max. switching current	8 A	0.5 A
Turn signal - max. switching power	96 W	10 W
Contact form - turn signal	mechanisch	Reedschalter
Horn - max. switching voltage	12 V DC	
Horn - max. switching current	4.2 A	
Headlamp flasher - max. switching voltage	12 V DC	
Headlamp flasher - max. switching current	0.256 A	
Headlamp flasher - max. switching power	induktiv 3 W	
Horn max. inductive switching power	50 W	

## Mechanical data

Attribute	151UM.A..	151UN.A..
Deflection - turn signal	± 15 °	
Deflection - headlamp flasher	5 °	

## Material information

Attribute	151UM.A..	151UN.A..
Housing material		PBT
Shaft material		Al
Gaiter material		NBR

## Environmental conditions

Attribute	151UM.A..	151UN.A..
Operating temperature min.		-30 °C
Max. operating temperature		80 °C
Min. storage temperature		-40 °C
Max. storage temperature		80 °C

## Installation

Attribute	151UM.A..	151UN.A..
Installation depth		45 mm