



Figure can vary

Part no.: 63000302
S300-M0C3-M20-31
Safety position switch



Contents

- Technical data
- Dimensioned drawings
- Electrical connection
- Circuit diagrams
- Notes

Technical data

Basic data	
Series	S300
Functions	
Functions	Integration in control circuits up to category 4 in accordance with EN ISO 13849 Locking device without guard interlocking according to ISO 14119
Characteristic parameters	
Mission time T_M	20 years , EN ISO 13849-1
B10 _d	40,000,000 number of cycles
Electrical data	
Usage category at DC 13	Ue / Ie: 24 V / 6 A, 125 V / 1.1 A, 250 V / 0.4 A , EN 60947-5-1
Usage category at AC 15	Ue / Ie: 250 V / 6 A, 400 V / 4 A, 500 V / 1 A , EN 60947-5-1
Contact allocation	1NC + 1NO
Contact opening	Force-fit
Short circuit protected	500 V, 10 A, type aM , IEC 60269-1
Contact protection	Earthing
Performance data	
Rated insulation voltage	500 V AC, 600 V DC
Conventional thermal current, max.	10 A
Connection	
Number of connections	1 Piece(s)
Number of cable entries	3 Piece(s)
Connection 1	
Type of connection	Terminal
Function	Contact connection
Type of terminal	Screw terminal
No. of pins	4 -pin
Cable properties	
Connection cross sections	1 x 0.5 mm ² to 2 x 2.5 mm ² , wire
Mechanical data	
Design	Cubic
Dimension (W x H x L)	56 mm x 33 mm x 88 mm
Housing material	Metal , ZAMAK
Electrical contact material	Silver alloy
Net weight	300 g
Housing color	Gray
Type of fastening	Through-hole mounting
Type of cable entry	M20 x 1.5
Switch type	Interlock device without guard interlocking , ISO 14119
Switching principle	Snap-action contact
Switching direction	Both sides One side
Approach actuation directions	360° 4 x side (90°)

Part no.: 63000302 – S300-M0C3-M20-31 – Safety position switch

Approach speed with angle of approach of 15°	0.00007 ... 2.5 m/s
Approach speed with angle of approach of 30°	0.00007 ... 1.5 m/s
Approach speed with angle of approach of 45°	0.00007 ... 1 m/s
Approach speed with angle of approach of 60°	0.00007 ... 0.75 m/s
Mechanical life time	20,000,000 actuation cycles , IEC 6047-5-1 switching cycles
Actuation frequency, max.	3,600 per hour , IEC 6047-5-1
Actuator	Roll actuator with lever
Actuator width	20 mm
Actuator length	40 mm
Actuation force, min. (torque)	0.1 N·m
Actuator mount	Long

Environmental data

Ambient temperature, operation	-25 ... 80 °C
Degree of contamination	3 , EN 60947-1

Certifications

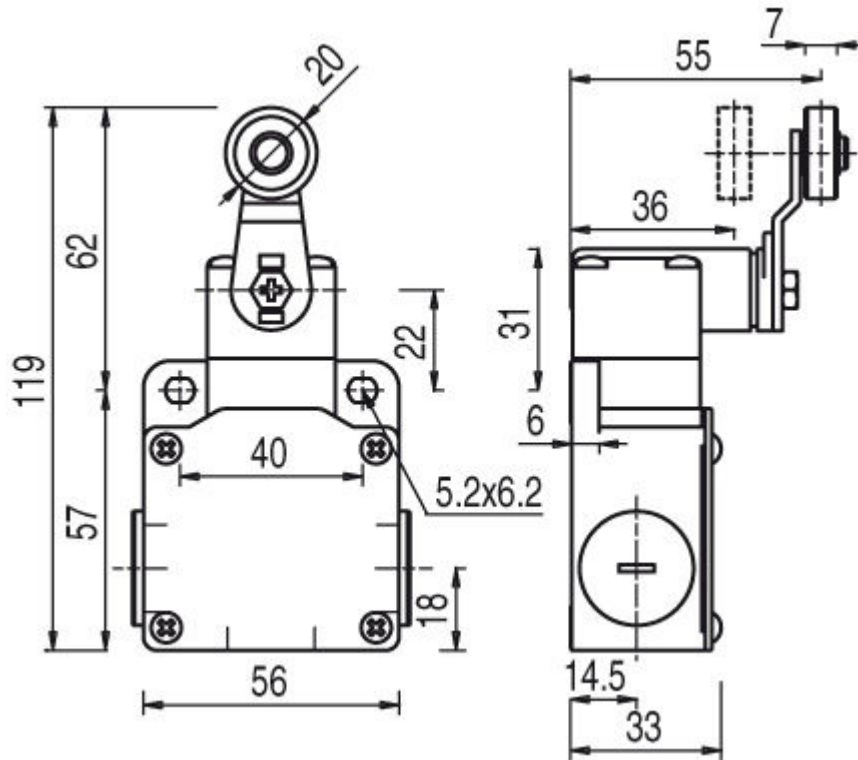
Degree of protection	IP 67
Certifications	c UL US IMQ

Classification

Customs tariff number	85369095
eCl@ss 8.0	27272601
eCl@ss 9.0	27272601
ETIM 5.0	EC000030
ETIM 6.0	EC000030

Dimensioned drawings

All dimensions in millimeters

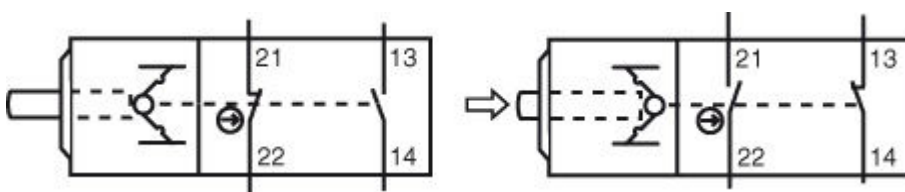


Electrical connection

Connection 1	
Type of connection	Terminal
Function	Contact connection
Type of terminal	Screw terminal
No. of pins	4 -pin

Terminal	Assignment
21	NC
22	NC
13	NO
14	NO

Circuit diagrams



Notes

Observe intended use!

- The product may only be put into operation by competent persons.
- Only use the product in accordance with its intended use.