



Figure can vary

**Part no.: 63000203**  
**S200-M4C1-M12**  
**Safety switch**



## Contents

- Technical data
- Dimensioned drawings
- Electrical connection
- Circuit diagrams
- Accessories

Part no.: 63000203 – S200-M4C1-M12 – Safety switch

## Technical data

<b>Basic data</b>	
Series	S200
<b>Functions</b>	
Functions	Locking device without guard interlocking according to ISO 14119 Integration in control circuits up to category 4 in accordance with EN ISO 13849
<b>Characteristic parameters</b>	
Mission time $T_M$	20 years, EN ISO 13849-1
B10d	2,000,000 number of cycles
<b>Electrical data</b>	
Usage category at DC 13	Ue 24 V, Ie 2 A, EN 60947-5-1
Usage category at AC 15	Ue 24 V, Ie 2 A, EN 60947-5-1
Contact allocation	2NC + 1NO
Contact opening	Force-fit
Short circuit protected	500 V, 2 A, type gG, IEC 60269-1
Contact protection	Earthing
<b>Performance data</b>	
Rated insulation voltage	30 V AC, 36 V DC
Conventional thermal current, max.	2 A
<b>Connection</b>	
Number of connections	1 Piece(s)
<b>Connection 1</b>	
Type of connection	Connector
Function	Contact connection
Thread size	M12
Material	Metal
No. of pins	8 -pin
<b>Mechanical data</b>	
Design	Cubic
Dimension (W x H x L)	40 mm x 38 mm x 109.5 mm
Housing material	Metal, ZAMAK
Electrical contact material	Silver alloy
Net weight	310 g
Housing color	Gray Red
Type of fastening	Through-hole mounting
Switch type	Interlock device without guard interlocking, ISO 14119
Switching principle	Slow-action contact
Approach actuation directions	4 x side (90°) 1 x top
Approach speed	0 ... 0.5 m/s
Mechanical life time	1,000,000 actuation cycles, IEC 6047-5-1
Actuation frequency, max.	3,600 per hour, IEC 6047-5-1
External actuator	AC-AHxx, series, straight, angled, resilient, alignable

Part no.: 63000203 – S200-M4C1-M12 – Safety switch

Actuation force (pull-out)	10 N
Actuating path with forced separation	8.8 mm
Recoil tolerance	4.5 mm

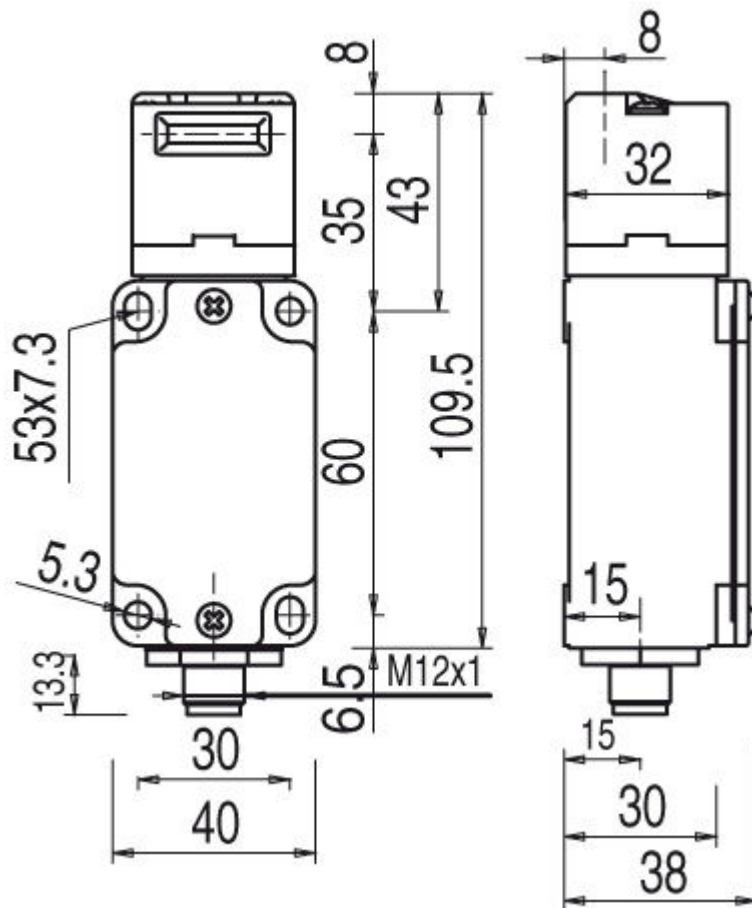
<b>Environmental data</b>	
Ambient temperature, operation	-25 ... 80 °C
Degree of contamination, external	3, EN 60947-1

<b>Certifications</b>	
Degree of protection	IP 67
Certifications	c UL US IMQ

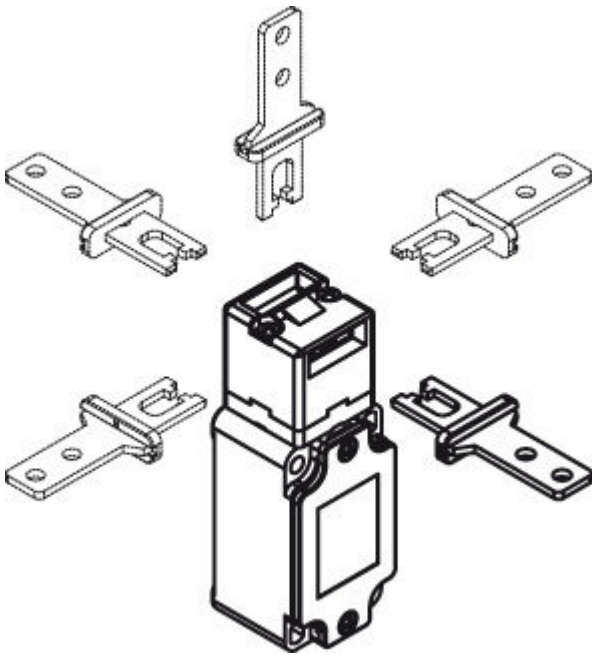
<b>Classification</b>	
eCl@ss 8.0	27272602
eCl@ss 9.0	27272602
ETIM 5.0	EC002592

### Dimensioned drawings

All dimensions in millimeters



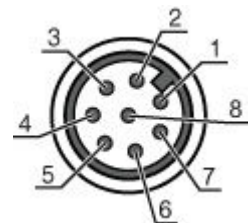
### Approach directions



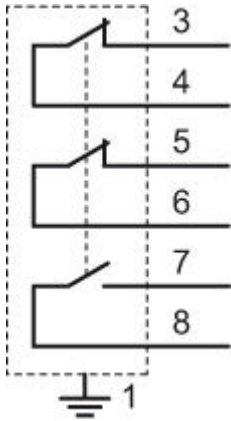
### Electrical connection

Connection 1	
Type of connection	Connector
Function	Contact connection
Thread size	M12
Type	Male
Material	Metal
No. of pins	8 -pin
Encoding	A-coded

Pin	Pin assignment
1	GND
2	n.c.
3	NC(1)
4	NC(1)
5	NC(2)
6	NC(2)
7	NO(1)
8	NO(1)







## Circuit diagrams




## Accessories

### Connection technology - Connection cables

	Part no.	Designation	Article	Description
	50135128	KD S-M12-8A-P1-050	Connection cable	Connection 1: Connector, M12, Axial, Female, A-coded, 8 -pin Connection 2: Open end Shielded: Yes Cable length: 5,000 mm Sheathing material: PUR
	50135129	KD S-M12-8A-P1-100	Connection cable	Connection 1: Connector, M12, Axial, Female, A-coded, 8 -pin Connection 2: Open end Shielded: Yes Cable length: 10,000 mm Sheathing material: PUR
	50135130	KD S-M12-8A-P1-150	Connection cable	Connection 1: Connector, M12, Axial, Female, A-coded, 8 -pin Connection 2: Open end Shielded: Yes Cable length: 15,000 mm Sheathing material: PUR
	50135131	KD S-M12-8A-P1-250	Connection cable	Connection 1: Connector, M12, Axial, Female, A-coded, 8 -pin Connection 2: Open end Shielded: Yes Cable length: 25,000 mm Sheathing material: PUR

## Actuator

	Part no.	Designation	Article	Description
	63000721	AC-AH-A	Actuator	Dimensions: 30 mm x 32.3 mm x 41.3 mm Type of fastening: Through-hole mounting Design: Angled Area of application: Heavy duty Mounting bore holes: In key direction Material: Stainless steel

**Part no.: 63000203 – S200-M4C1-M12 – Safety switch**

	Part no.	Designation	Article	Description
	63000724	AC-AH-F1J2	Actuator	Dimensions: 56 mm x 16 mm x 37 mm Type of fastening: Through-hole mounting Design: Straight Area of application: Heavy duty Mounting bore holes: In key direction Material: Plastic, Stainless steel Functions: Flexible, 1 direction, Adjustable, 2 directions
	63000723	AC-AH-F2J2	Actuator	Dimensions: 30 mm x 22 mm x 46 mm Type of fastening: Through-hole mounting Design: Straight Area of application: Heavy duty Mounting bore holes: 90° to key direction Material: Plastic, Stainless steel Functions: Flexible, 2 directions, Adjustable, 2 directions
	63000722	AC-AH-F4	Actuator	Dimensions: 30 mm x 16 mm x 50 mm Type of fastening: Through-hole mounting Design: Straight Area of application: Heavy duty Mounting bore holes: 90° to key direction Material: Plastic, Stainless steel Functions: Flexible, 4 directions
	63000725	AC-AH-F4J2-TK	Actuator	Dimensions: 39 mm x 20 mm x 49.8 mm Type of fastening: Through-hole mounting Design: Straight Area of application: Heavy duty Mounting bore holes: In key direction, 90° to key direction Material: Stainless steel Functions: Flexible, 4 directions, Rotatable head, Key, Adjustable, 4 directions
	63000720	AC-AH-S	Actuator	Dimensions: 30 mm x 10 mm x 69 mm Type of fastening: Through-hole mounting Design: Straight Area of application: Heavy duty Mounting bore holes: 90° to key direction Material: Stainless steel
	63000846	AC-KL-AH	Actuator interlock	Material: Metal