



**Part no.: 560341**  
**BT-SET-240CC**  
**Mounting bracket set**

Figure can vary

## Contents

- Technical data
- Set consists of
- Dimensioned drawings

Part no.: 560341 – BT-SET-240CC – Mounting bracket set

## Technical data

### Basic data

Suitable for MLD-M002, MLD-M003 deflecting mirror

### Mechanical data

Type of fastening, at system Through-hole mounting

Type of fastening, at device Clampable

Type of mounting device Turning, 240°

Mounting device material Metal

### Classification


eCl@ss 8.0 27279202

eCl@ss 9.0 27273701

ETIM 5.0 EC003015

ETIM 6.0 EC003015

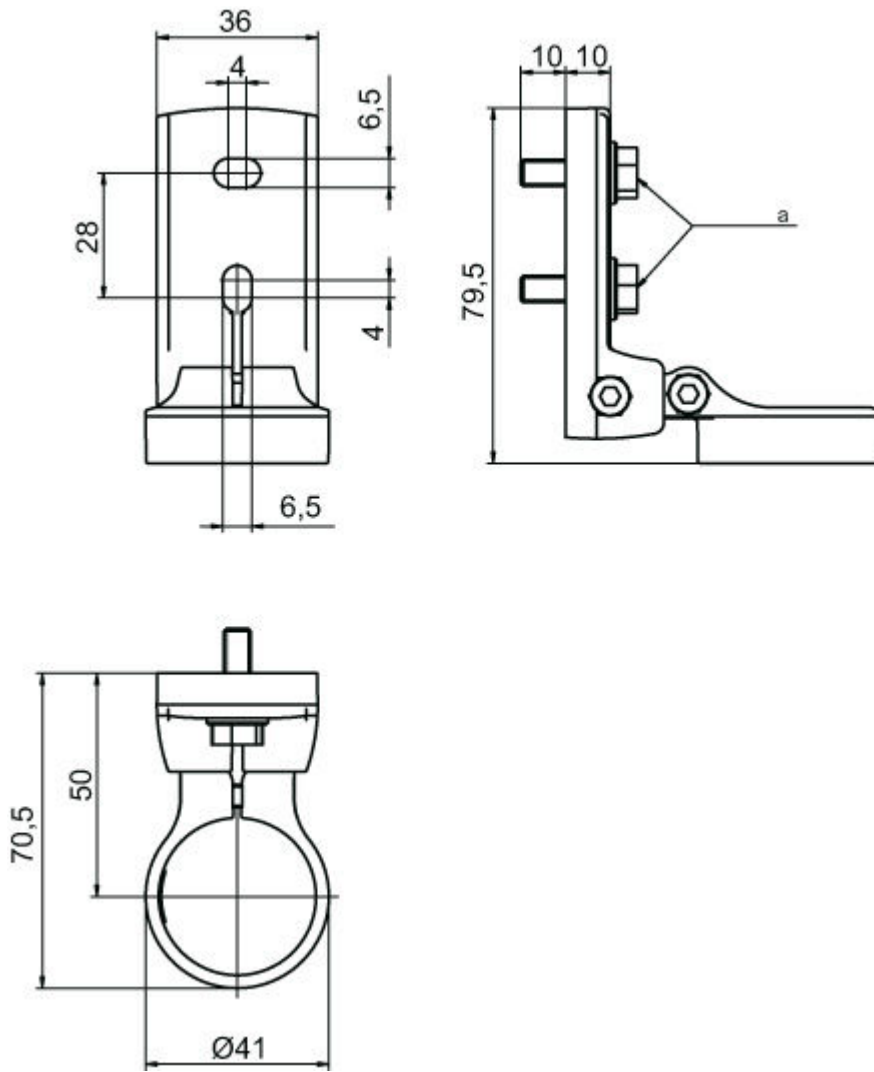
## Set consists of

	Quantity	Part no.	Designation	Article	Description
	2	560344	BT-SET-240C	Mounting bracket	Fastening, at system: Through-hole mounting Mounting bracket, at device: Clampable Type of mounting device: Turning, 240° Material: Metal

## Dimensioned drawings

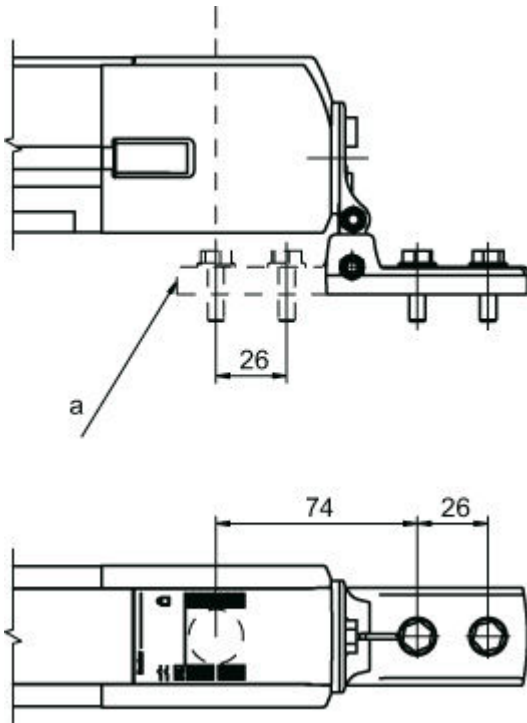
All dimensions in millimeters

BT-SET-240C swivel mount



a M6 screw

### Mounting dimensions



a Alternative mounting variant

### Mounting variants

