



**Part no.: 560340**  
**BT-SET-240BC**  
**Mounting bracket set**

Figure can vary

## Contents

- Technical data
- Set consists of
- Dimensioned drawings

Part no.: 560340 – BT-SET-240BC – Mounting bracket set

## Technical data

### Basic data

Suitable for MLD 500, MLD 300 multiple light beam safety devices

### Mechanical data

Type of fastening, at system Through-hole mounting

Type of fastening, at device Clampable

Type of mounting device Turning, 240°

Mounting device material Metal

### Classification



eCl@ss 8.0 27279202

eCl@ss 9.0 27273701

ETIM 5.0 EC003015

ETIM 6.0 EC003015

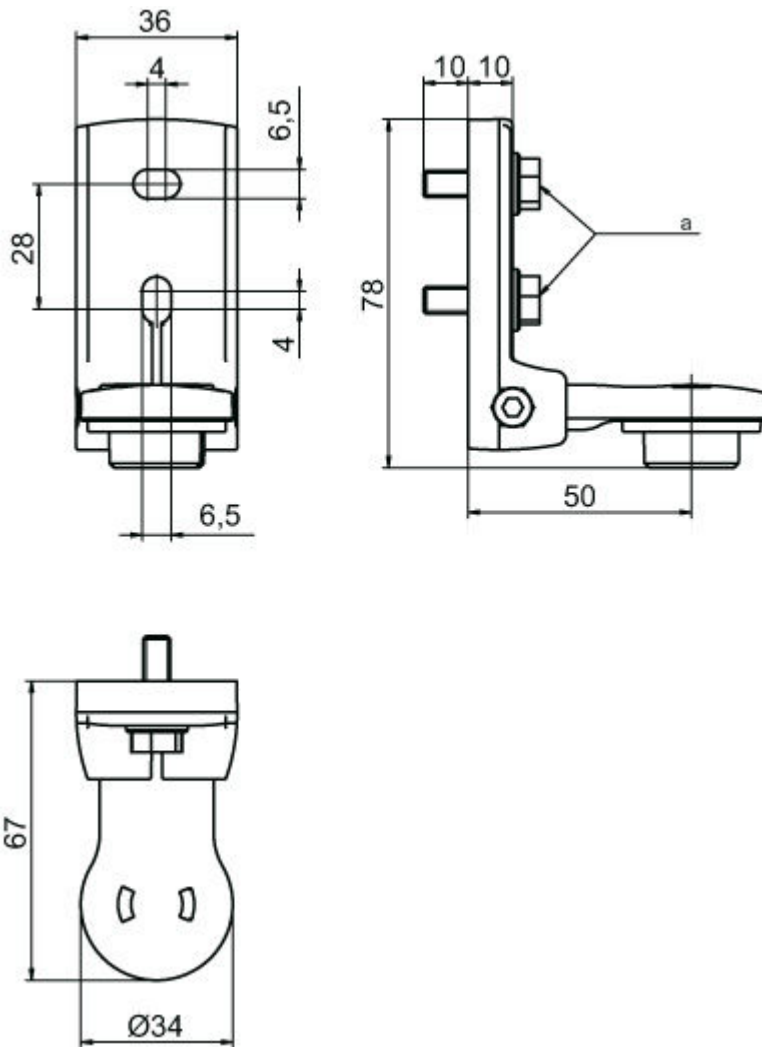
## Set consists of

	Quantity	Part no.	Designation	Article	Description
	1	560347	BT-SET-240B	Mounting bracket	Fastening, at system: Through-hole mounting Mounting bracket, at device: Clampable Type of mounting device: Turning, 240° Material: Metal
	1	560344	BT-SET-240C	Mounting bracket	Fastening, at system: Through-hole mounting Mounting bracket, at device: Clampable Type of mounting device: Turning, 240° Material: Metal

## Dimensioned drawings

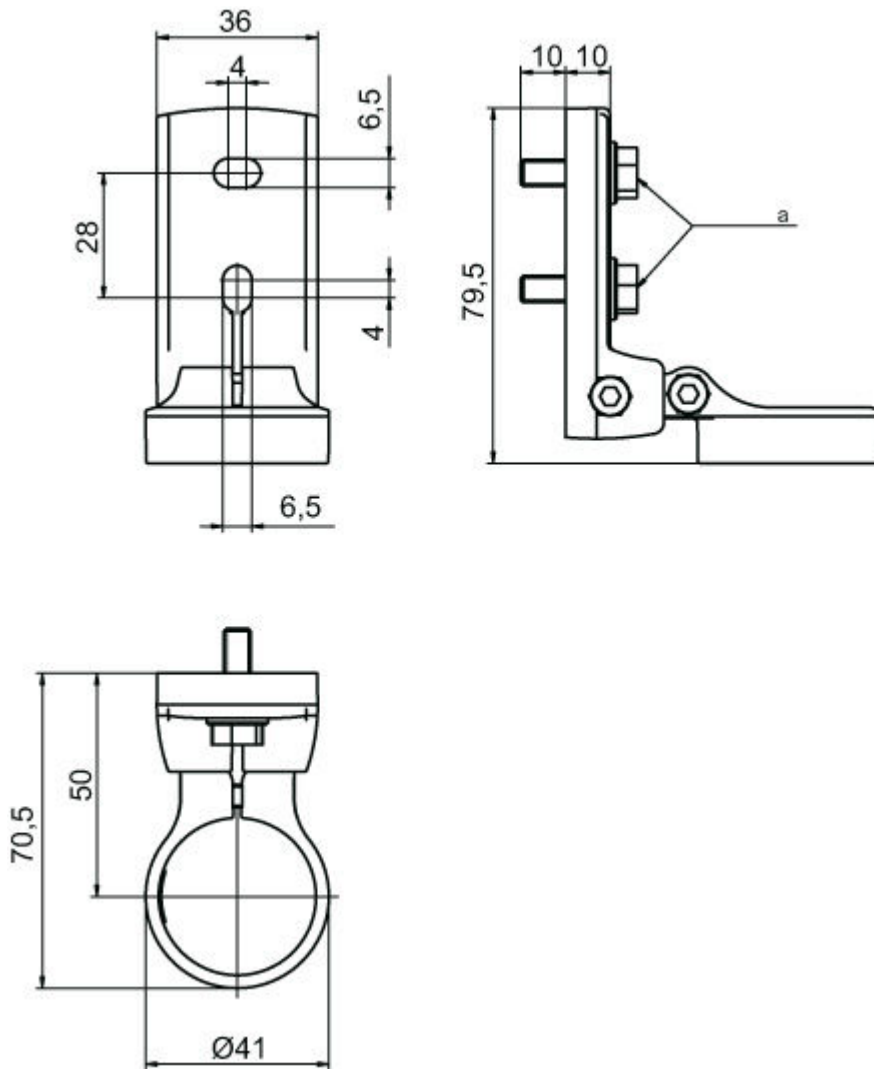
All dimensions in millimeters

BT-SET-240B swivel mount



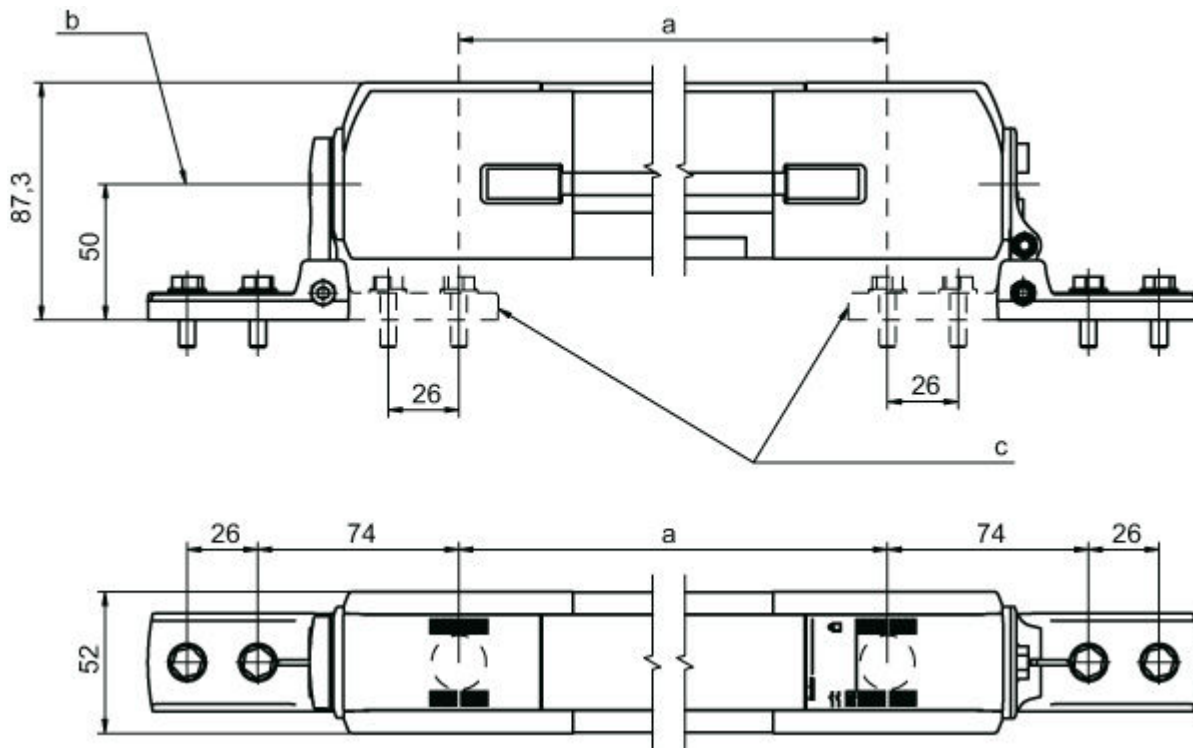
a M6 screw

BT-SET-240C swivel mount



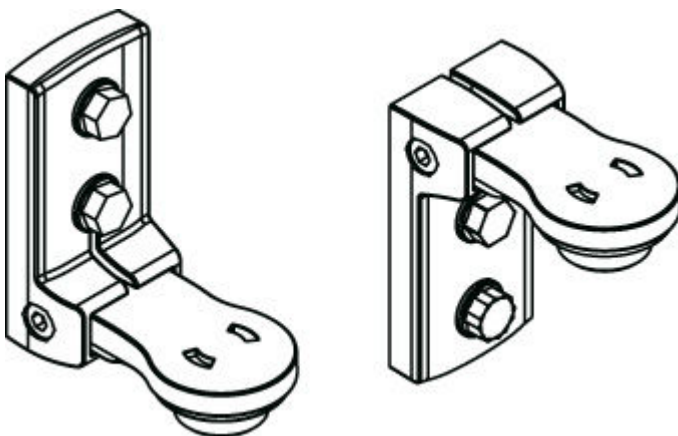
a M6 screw

Mounting dimensions



- a Beam spacing
- b Swivel axis
- c Alternative mounting variant

Mounting variants



Mounting variants

