



Part no.: 548952
CB-M12-Y1B
Interconnection cable

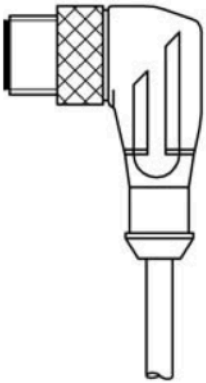


Figure can vary

Contents

- Technical data
- Electrical connection
- Circuit diagrams
- Accessories

Part no.: 548952 – CB-M12-Y1B – Interconnection cable

Technical data

Connection

Connection 1

Type of connection	Connector
Thread size	M12
Type	Male
Handle body material	PUR
Handle body color	Black
No. of pins	5 -pin
Encoding	A-coded
Design	Angled

Connection 2

Type of connection	Connector
Thread size	M12
Type	Female
Handle body material	PUR
Handle body color	Black
No. of pins	5 -pin
Encoding	A-coded
Design	Axial

Connection 3

Type of connection	Connector
Thread size	M12
Type	Female
No. of pins	5 -pin
Encoding	A-coded
Design	Axial
Handle body material	PUR
Handle body color	Black

Cable properties

Number of conductors	5 Piece(s)
Wire cross section	0.34 mm ²
Sheathing color	Black
Shielded	Yes
Silicone-free	Yes
Cable design	Distribution cable
Cable diameter (external)	6 mm
Cable length	10,570 mm
Cable length fork 1	750 mm
Cable length fork 2	10,000 mm
Sheathing material	PUR
Wire insulation	PP

Mechanical data

Width across flats	13 mm
--------------------	-------

Environmental data

Ambient temperature, operation	-25 ... 80 °C
--------------------------------	---------------

Part no.: 548952 – CB-M12-Y1B – Interconnection cable

Certifications

Degree of protection	IP 67
Certifications	c UL UL

Classification

Customs tariff number	85444290
eCl@ss 8.0	27279218
eCl@ss 9.0	27060311
ETIM 5.0	EC001855
ETIM 6.0	EC001855

Electrical connection

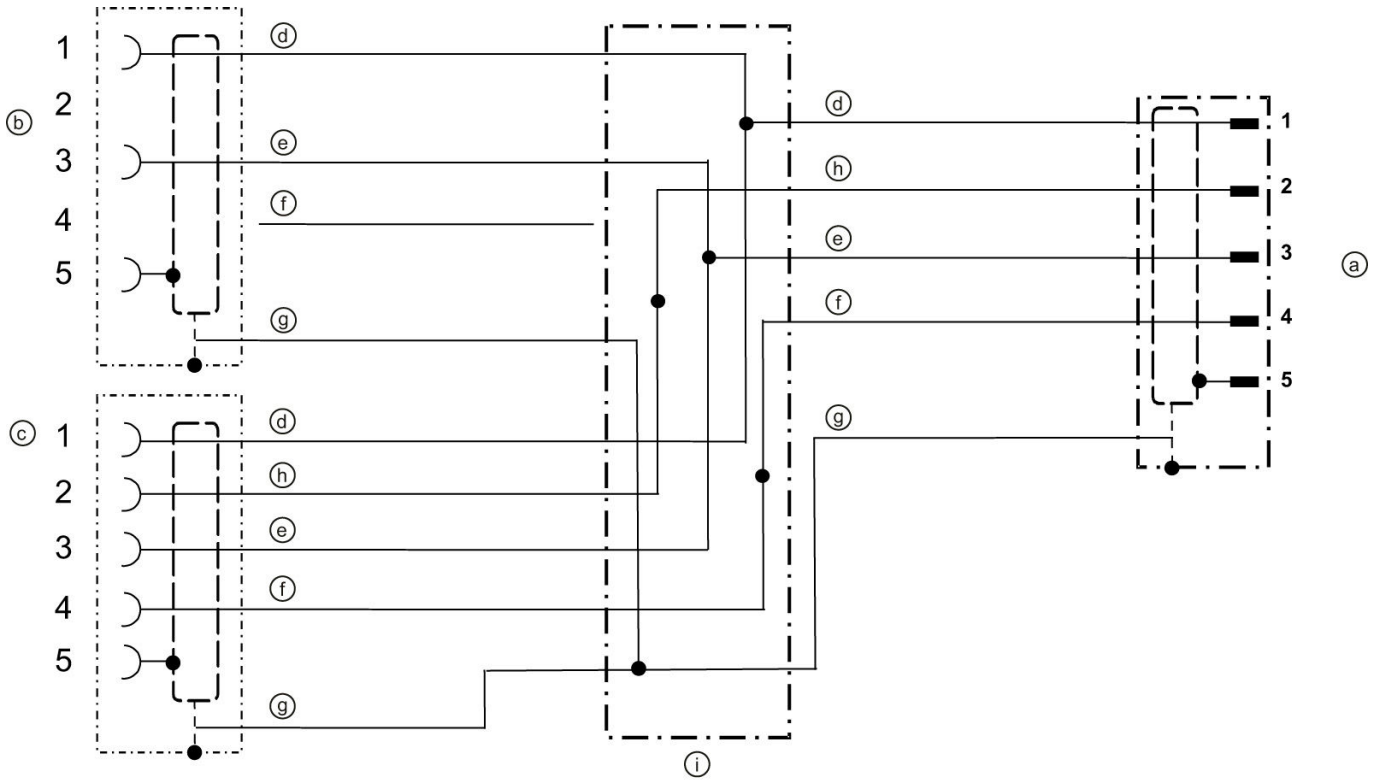
Connection 1	
Type of connection	Connector
Thread size	M12
Type	Male
Handle body material	PUR
Handle body color	Black
No. of pins	5 -pin
Encoding	A-coded
Design	Angled

Connection 2	
Type of connection	Connector
Thread size	M12
Type	Female
Handle body material	PUR
Handle body color	Black
No. of pins	5 -pin
Encoding	A-coded
Design	Axial
Lock	

Connection 3	
Type of connection	Connector
Thread size	M12
Type	Female
No. of pins	5 -pin
Encoding	A-coded
Design	Axial
Handle body material	PUR
Handle body color	Black

Circuit diagrams


Connection diagram



- a Connector, M12
- b Socket, M12
- c Socket, M12
- d Brown wire
- e Blue wire
- f Black wire
- g Shielded
- h White wire
- i T-connector

Accessories

General

	Part no.	Designation	Article	Description
	50132266	TT-Set 0,6-13	Tool	Type: Torque key Width across flats: 13 mm Torque: 0.6 N·m Material: Plastic, Stainless steel Ambient temperature: -40 ... 120 °C