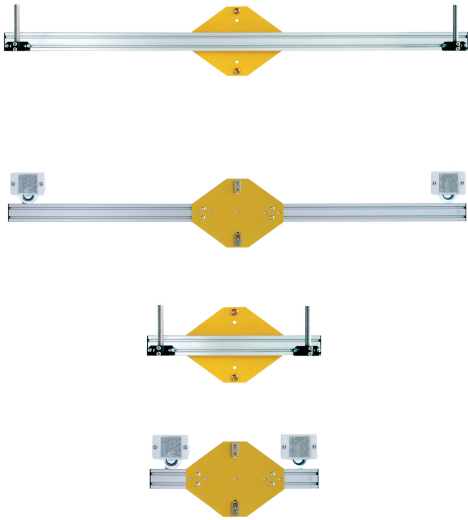


## MMS



Art. no. 601516

### Muting Montage System

Muting applications can be conveniently and easily implemented with the MMS Muting Mounting System. MMS are used both in combination with Safety Light Curtains and Multiple Light Beam Safety Devices with integrated Muting function (COMPACTplus-m) **and** with devices without integrated Muting (ROBUST, COMPACT, SOLID) together with an MSI muting controller.

MMS can be used as vertically sliding on the UDC and DC device columns with rear-side slot, and as fixed-mounted on existing on-site columns.

Muting sensors and reflectors mounted on MMS can be positioned horizontally and vertically, and can be swiveled on the round bar brackets in a wide area.

MMS are configured for 2 muting sensors. MMS 1000 is especially used for parallel muting with crossed beams with PRK reflex light barriers.

MMS-A-350 is used either for fixing HRT light scanners for 4-sensor parallel muting or in combination with MMS-P-350 for PRK reflex light barriers, which are used as MS2 and MS3 sensors with sequential muting. The application for parallel muting with crossed beams is not recommended for geometrical reasons.

### Advantages

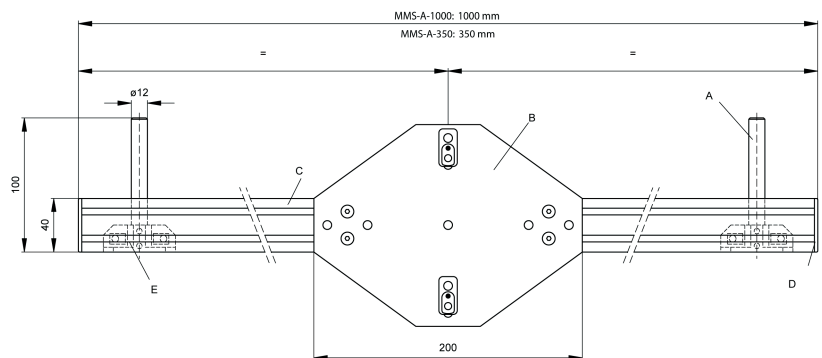
- Mounting system for muting sensors
- Flexible mounting plate for attaching the MMS to the column
- Mounting of muting sensors to MMS with 12 mm-V2A-round rods
- Adjustment of sensors horizontal and vertical in a big range
- MMS-P- includes reflectors and mounting devices

### Areas of application

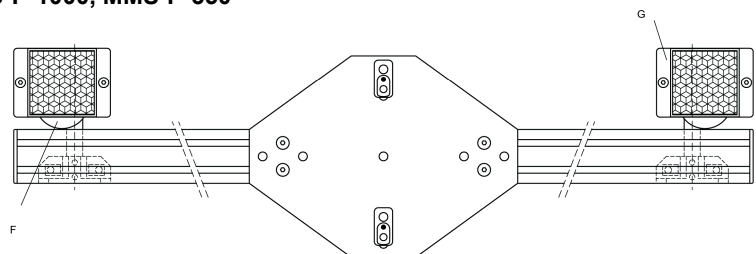
Mounting of muting sensors and reflectors for freestanding UDC/DC mounting columns or on existing on-site columns.

### Dimensional Drawings

#### MMS-A-1000, MMS-A-350



#### MMS-P-1000, MMS-P-350



A = V2A-round rod 12x100 mm

B = Mounting plate

C = Alu profile

D = Cap

E = Fixing UMS 1.03

F = Fixing BT 46.1

G = Reflector TKS 50x50

### Order details

Art. no.	Article
548800	MMS-A-1000 for active side – length 1000 mm
548801	MMS-P-1000 for passive side – length 1000 mm
548804	MMS-A-350 for active side – length 350 mm
548803	MMS-P-350 for passive side – length 350 mm

Other lengths on request. Sliding locks and screws included.