



Part no.: 540351
BT-SET-240CC-E
Mounting bracket set

Figure can vary

Contents

- Technical data
- Set consists of
- Dimensioned drawings

Part no.: 540351 – BT-SET-240CC-E – Mounting bracket set

Technical data

Basic data

Suitable for MLD-M002, MLD-M003 deflecting mirror

Mechanical data

Type of fastening, at system Through-hole mounting

Type of fastening, at device Clampable

Type of mounting device Turning, 240°

Mounting device material Plastic
Metal

Classification


eCl@ss 8.0 27279202

eCl@ss 9.0 27273701

ETIM 5.0 EC003015

ETIM 6.0 EC003015

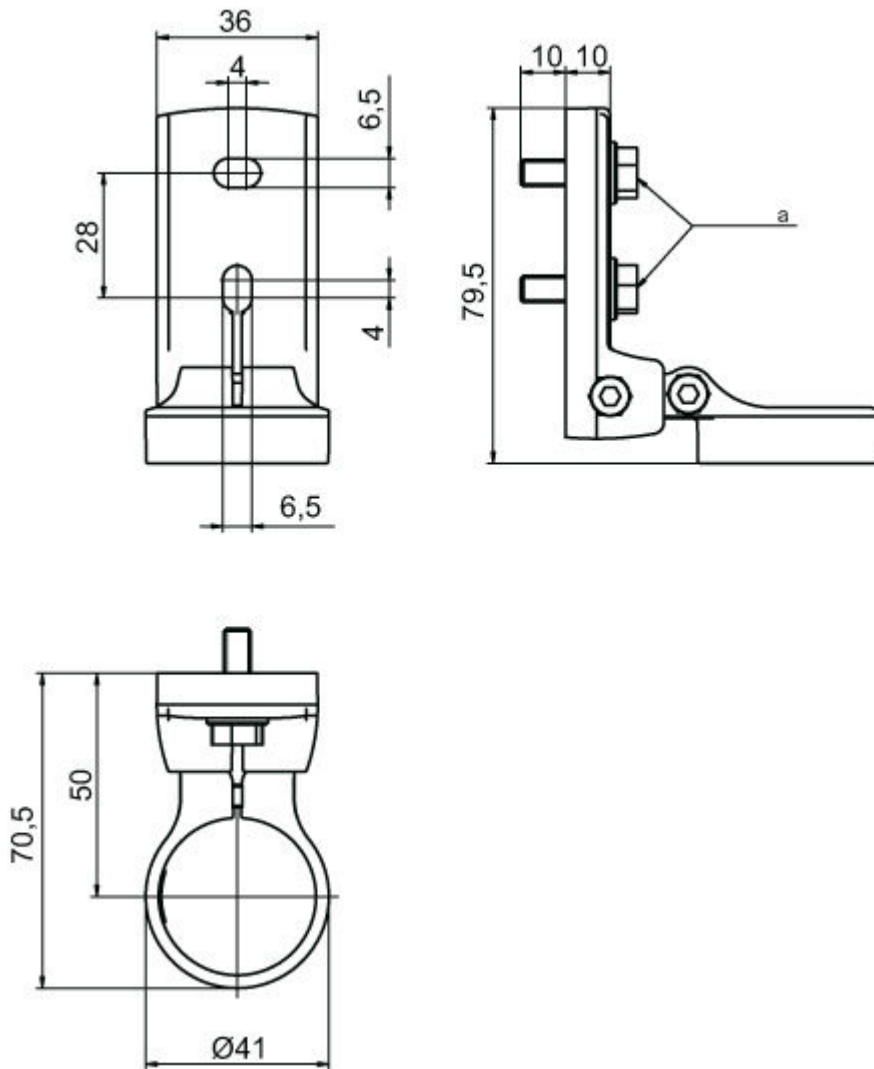
Set consists of

	Quantity	Part no.	Designation	Article	Description
	2	540354	BT-SET-240C-E	Mounting bracket	Fastening, at system: Through-hole mounting Mounting bracket, at device: Clampable Type of mounting device: Turning, 240° Material: Metal, Plastic

Dimensioned drawings

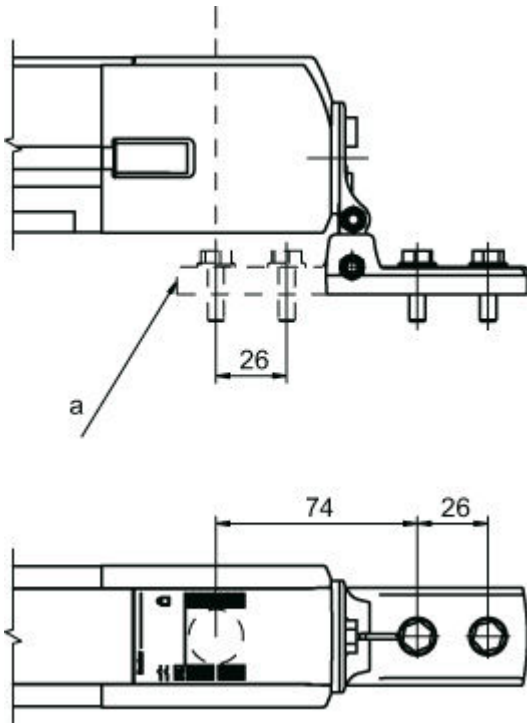
All dimensions in millimeters

BT-SET-240C-E swivel mount



a M6 screw

Mounting dimensions



a Alternative mounting variant

Mounting variants

