



Figure can vary

Part no.: 53800318
RSL450P-L/CU400P-AIDA
Safety laser scanner



Contents

- . Technical data
- . Dimensioned drawings
- . Electrical connection
- . Operation and display
- . Notes
- . Accessories

Technical data

Basic data	
Series	RSL 400
Application	Mobile danger zone guarding Mobile side guarding Stationary access guarding Stationary danger zone guarding
Functions	
Functions	Data output, configurable Four-field mode PROFIsafe Resolution, selectable
Characteristic parameters	
Type	3 , IEC/EN 61496
SIL	2 , IEC 61508
SILCL	2 , IEC/EN 62061
Performance Level (PL)	d , EN ISO 13849-1
PFH _D	9E-08 per hour
Mission time T _M	20 years , EN ISO 13849-1
Category	3 , EN ISO 13849
Protective field data	
Scanning angle	270 °
Minimum adjustable range	50 mm
Number of field pairs, reversible	Up to 100
Number of quads, reversible	50
Number of protective functions	2 Piece(s)
Number of independent sensor configurations	Up to 10
Diffuse reflection, min.	1.8 %
Operating range	0 ... 6.25 m
Warning field data	
Number of field pairs	Up to 100
Operating range	0 ... 20 m
Object size	150 mm x 150 mm
Diffuse reflection, min.	10 %
Optical data	
Light source	Laser , Infrared
Laser light wavelength	905 nm
Laser class	1 , IEC/EN 60825-1:2007
Transmitted-signal shape	Pulsed
Repetition frequency	90 kHz
Measurement data	
Distance resolution	1 mm
Detection range	0 ... 50 m
Diffuse reflection	20 %
Angular resolution	0.1 °

Electrical data

Protective circuit	Overvoltage protection
--------------------	------------------------

Performance data

Supply voltage U_B	24 V , DC , -30 ... 20 %
Current consumption (without load), max.	900 mA , (use power supply unit with 3 A)
Power consumption, max.	22 W , For 24 V, plus output load

Interface

Type	PROFINET
Profinet	
Function	Process
PROFINET device	Device acc. to Spec V2.3.4
GSDML	GSDML acc. to Spec V2.3.2
Profile	PROFINET/PROFIsafe
Conformance class	C
Network load class	III
Security level	1
Switch functionality	IRT-ready 2-port switch acc. to IEEE 802, integrated in connection unit
Port properties	Auto-Crossover Auto-Negotiation Auto-Polarity
I&M	0 - 4
Supported topologies	MRP client SNMP
Safety-related switching signals	4 Piece(s)

Service interface

Type	Bluetooth
Bluetooth	
Function	Configuration/parametering
Frequency band	2,400 ... 2,483.5 MHz
Radiated transmitting power	Max. 4.5 dBm (2.82 mW), class 2
Type	USB
USB	
Function	Configuration/parametering
Connection	USB 2.0 mini-B, socket
Transmission speed, max.	12 Mbit/s
Cable length	≤ 5m Longer cable lengths are possible using active cables.

Connection

Number of connections	4 Piece(s)
Connection 1	
Type of connection	PROFINET push-pull 24V
Function	Voltage supply
Connection 2	
Type of connection	PROFINET RJ45 push-pull IEC 61076-3-117 var. 14
Function	Ethernet, input

Part no.: 53800318 – RSL450P-L/CU400P-AIDA – Safety laser scanner
Connection 3

Type of connection	PROFINET RJ45 push-pull IEC 61076-3-117 var. 14
Function	Ethernet, output

Connection 4

Type of connection	PROFINET push-pull 24V
Function	Voltage supply

Mechanical data

Dimension (W x H x L)	140.2 mm x 200 mm x 142 mm
Housing material	Metal Plastic , Diecast zinc ,
Lens cover material	Plastic/PC
Net weight	4,500 g
Housing color	Yellow, RAL 1021
Type of fastening	Mounting plate Through-hole mounting Via optional mounting device

Operation and display

Type of display	Alphanumerical display LED indicator
Number of LEDs	11 Piece(s)
Type of configuration	Software Sensor Studio
Operational controls	Software Sensor Studio

Environmental data

Ambient temperature, operation	0 ... 50 °C
Ambient temperature, storage	-20 ... 60 °C
Relative humidity (non-condensing)	15 ... 95 %

Certifications

Degree of protection	IP 65
Protection class	III , EN 61140
Certifications	TÜV Süd
Test procedure for EMC in accordance with standard	DIN 40839-1/3 EN 61496-1
Test procedure for oscillation in accordance with standard	EN 60068-2-6
Test procedure for continuous shock in accordance with standard	IEC 60068-2-29
US patents	US 2016/0086469 A US 7,656,917 B US 7,696,468 B US 8,520,221 B

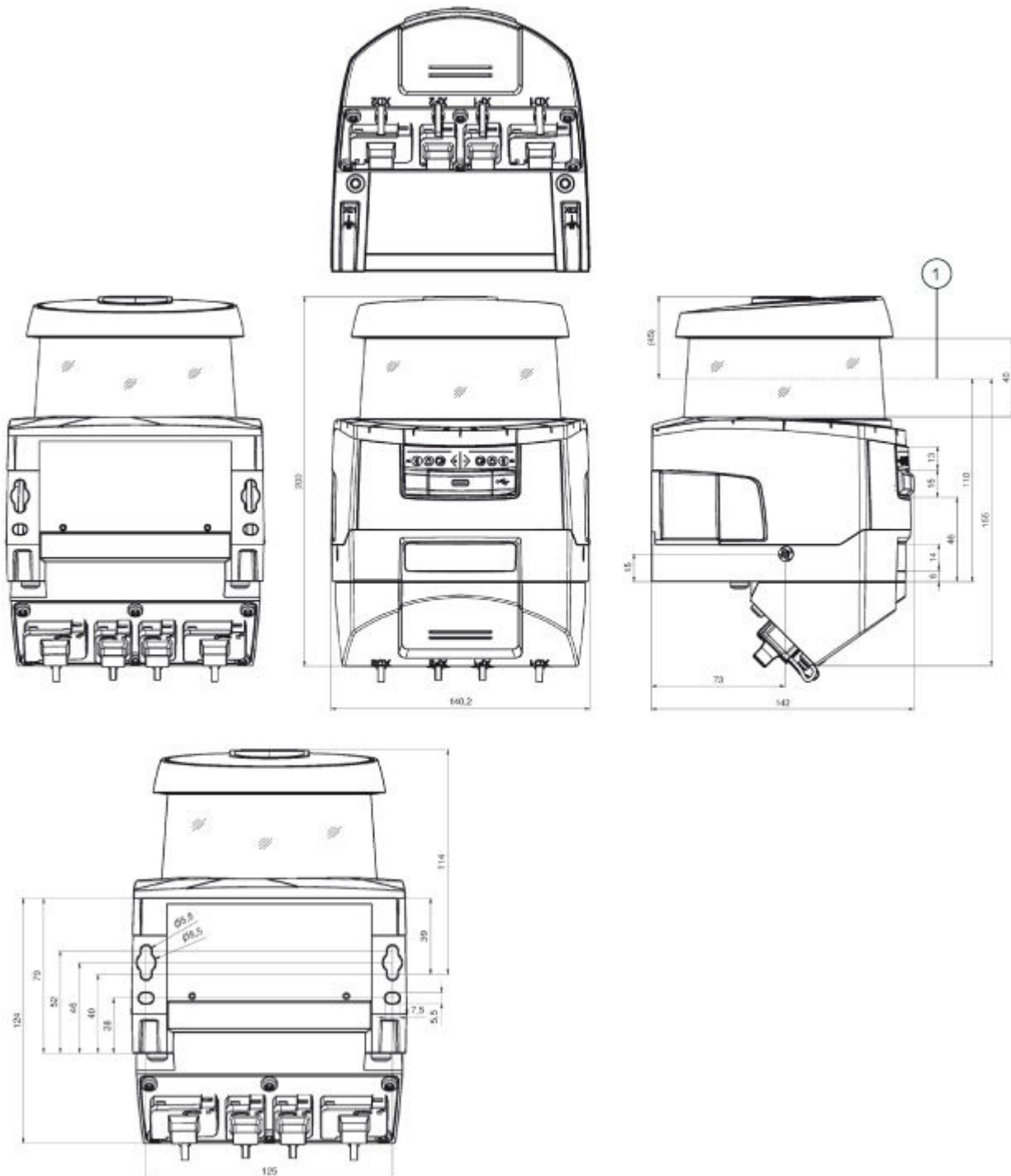
Classification

Customs tariff number	85365019
eCl@ss 8.0	27272705
eCl@ss 9.0	27272705
ETIM 5.0	EC002550
ETIM 6.0	EC002550

Dimensioned drawings

All dimensions in millimeters

Dimensions safety laser scanner with connection unit

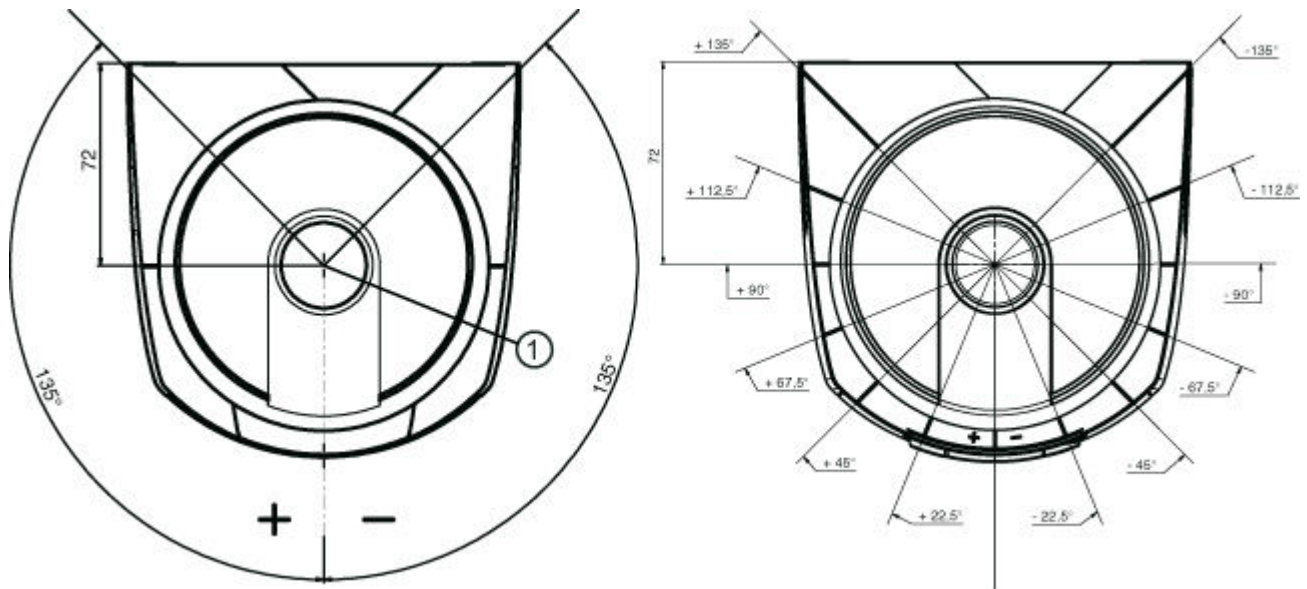


1 Scan level

Mounting dimensions safety laser scanner with connection unit



Dimensions of scanning range



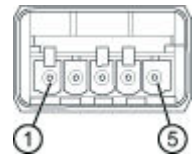
1 Reference point for distance measurement and protective field radius

Electrical connection

Connection 1	XD1
Type of connection	PROFINET push-pull 24V
Function	Voltage supply
No. of pins	5 -pin

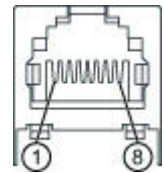
Part no.: 53800318 – RSL450P-L/CU400P-AIDA – Safety laser scanner

Pin	Pin assignment
1	+24V
2	0 V
3	+24V
4	0 V
5	GND



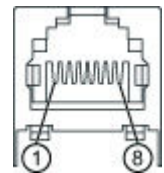
Connection 2	XF1
Type of connection	PROFINET RJ45 push-pull IEC 61076-3-117 var. 14
Function	Ethernet, input
Connector housing	FE/SHIELD

Pin	Pin assignment	Conductor color
1	TD+	Yellow
2	TD-	Orange
3	RD+	White
4	n.c.	-
5	n.c.	-
6	RD-	Blue
7	n.c.	-
8	n.c.	-



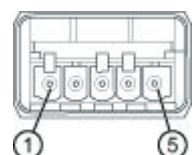
Connection 3	XF2
Type of connection	PROFINET RJ45 push-pull IEC 61076-3-117 var. 14
Function	Ethernet, output
Connector housing	FE/SHIELD

Pin	Pin assignment	Conductor color
1	TD+	Yellow
2	TD-	Orange
3	RD+	White
4	n.c.	-
5	n.c.	-
6	RD-	Blue
7	n.c.	-
8	n.c.	-



Connection 4	XD2
Type of connection	PROFINET push-pull 24V
Function	Voltage supply
No. of pins	5 -pin

Pin	Pin assignment
1	+24V
2	0 V



Pin	Pin assignment
3	+24V
4	0 V
5	GND

Operation and display

LEDs

LED	Display	Meaning	
1	-	Off	Device switched off
	-	Red, continuous light	OSSD off
	-	Red, flashing	Error
	-	Green, continuous light	OSSD on
2	-	Off	RES deactivated or RES activated and released
	-	Yellow, flashing	Protective field occupied
	-	Yellow, continuous light	RES activated and blocked but ready to be unlocked - protective field free and linked sensor is enabled if applicable
3	-	Off	Free warning field
	-	Blue, continuous light	Warning field interrupted
4	-	Off	Four field mode: warning field 3 free
	-	Blue, continuous light	Four field mode: warning field 3 interrupted
5	-	Yellow, flashing	Four field mode: warning field 2 interrupted
6	-	Off	No function
7	PWR	Off	Device switched off
	PWR	Red, continuous light	Error during self test or internal communication problems
	PWR	Green, flashing	PROFINET wave function active
	PWR	Green, continuous light	Device switched on, supply voltage applied, no internal error
8	PS	Off	PROFIsafe communication not initialized or switched off
	PS	Green, flashing	Device in passive state or PROFINET wave function active
	PS	Green, continuous light	Device on PROFIsafe active
	PS	Red, flashing	PROFIsafe configuration failed
	PS	Red, continuous light	PROFIsafe communication error
9	NET	Off	PROFINET communication not initialized or inactive
	NET	Green, flashing	PROFINET bus initialization or PROFINET wave function active
	NET	Green, continuous light	PROFINET active, data exchange with IO controller active
	NET	Orange, flashing	Ethernet topology error
	NET	Red, flashing	Ethernet configuration failed, no data exchange or exchange of invalid data
	NET	Red, continuous light	Bus error, no communication
10	LNK/ACT1	Off	No Ethernet link present
	LNK/ACT1	Green, continuous light	Ethernet link active, no current data transmission
	LNK/ACT1	Green/orange, flashing	Ethernet link active, current data transmission
11	LNK/ACT2	Off	No Ethernet link present
	LNK/ACT2	Green, continuous light	Ethernet link active, no current data transmission
	LNK/ACT2	Green/orange, flashing	Ethernet link active, current data transmission

Notes

Observe intended use!

- The product may only be put into operation by competent persons.
- Only use the product in accordance with its intended use.


WARNING! INVISIBLE LASER RADIATION – LASER CLASS 1

The device satisfies the requirements of IEC 60825-1:2007 (EN 60825-1:2007) safety regulations for a product of **laser class 1** as well as the U.S. 21 CFR 1040.10 regulations with deviations corresponding to "Laser Notice No. 50" from June 24, 2007.


- Observe the applicable statutory and local laser protection regulations.
- The device must not be tampered with and must not be changed in any way.
There are no user-serviceable parts inside the device.
Repairs must only be performed by Leuze electronic GmbH + Co. KG.

Accessories


Mounting technology - Mounting brackets

	Part no.	Designation	Article	Description
	53800134	BT840M	Mounting bracket	Application: Mounting on chamfered 90° corner Dimensions: 84.9 mm x 72 mm x 205.2 mm Color: Yellow, RAL 1021 Type of fastening, at system: Through-hole mounting Type of fastening, at device: Screw type Material: Metal


Mounting

	Part no.	Designation	Article	Description
	53800131	BTP800M	Loop guard	Dimensions: 160 mm x 169 mm Color: Black Material: Metal

Services

	Part no.	Designation	Article	Description
	S981051	CS40-I-141	Safety inspection "Safety laser scanners"	Details: Checking of a safety laser scanner application in accordance with current standards and guidelines. Inclusion of the device and machine data in a database, production of a test log per application. Conditions: It must be possible to stop the machine, support provided by customer's employees and access to the machine for Leuze employees must be ensured. Restrictions: Travel costs and accommodation expenses charged separately and according to expenditure.

Part no.: 53800318 – RSL450P-L/CU400P-AIDA – Safety laser scanner

	Part no.	Designation	Article	Description
	S981047	CS40-S-141	Start-up support	Details: For safety devices including stopping time measurement and initial inspection. Conditions: Devices and connection cables are already mounted, price not including travel costs and, if applicable, accommodation expenses. Restrictions: Max. 3 h., no mechanical (mounting) and electrical (wiring) work performed, no changes (attachments, wiring, programming) to third-party components in the nearby environment.