



Part no.: 50141658
TFM 05 1625.210
Transponder



Figure can vary

Contents

- Technical data
- Dimensioned drawings
- Accessories

Part no.: 50141658 – TFM 05 1625.210 – Transponder

Technical data

Basic data

Series	TFM
Suitable for	RFM
Chip	NXP ICODE SLI
Working frequency	13.56 MHz

Electrical data

Performance data

Memory access	Read/Write
Memory size	256 B
Memory block	64 Piece(s)
Memory block size	4 B
Storage time	50 ms
Memory type	EEPROM
Number of write cycles	10 to the power of 5
Number of read cycles	unlimited

Certifications

Standards applied	ISO 15693
-------------------	-----------

Mechanical data

Design	Disc
Thickness	6 mm
Outer diameter	50 mm
Inner diameter	5 mm
Housing material	Plastic, LCP (Liquid Crystal Polymer)
Net weight	16.9 g

Environmental data

Ambient temperature, operation	-25 ... 150 °C
Ambient temperature, storage, time-limited	-40 ... +250 °C = 1,000 h or 1,000 cycles

Certifications

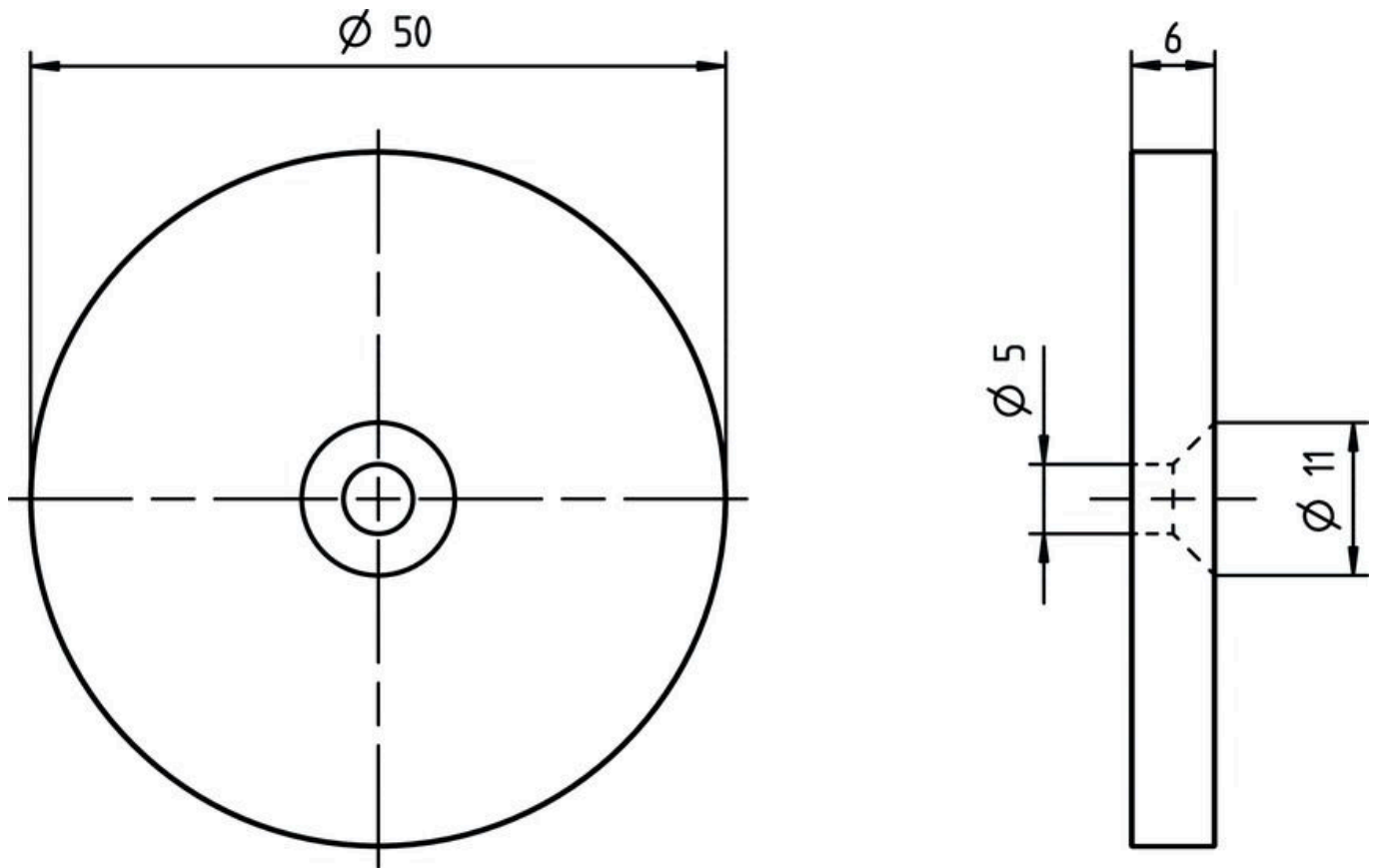
Degree of protection	IP 68 IP 69K
----------------------	-----------------

Classification

Customs tariff number	85235200
-----------------------	----------

Dimensioned drawings



All dimensions in millimeters



Notes

Accessories

Mounting technology - Other

	Part no.	Designation	Article	Description
	50134764	BT TFM 08 1610.210	Mounting bracket	Housing material: Metal, Aluminum
	50107103	Spacer 50 HT	Spacer	Design, housing: Hollow cylinder Inner diameter: 5 mm Housing material: Plastic, PA 66