



Part no.: 50138252
A7-V1-MP1-DS-M7-T-100
Signaling column



Figure can vary

Contents

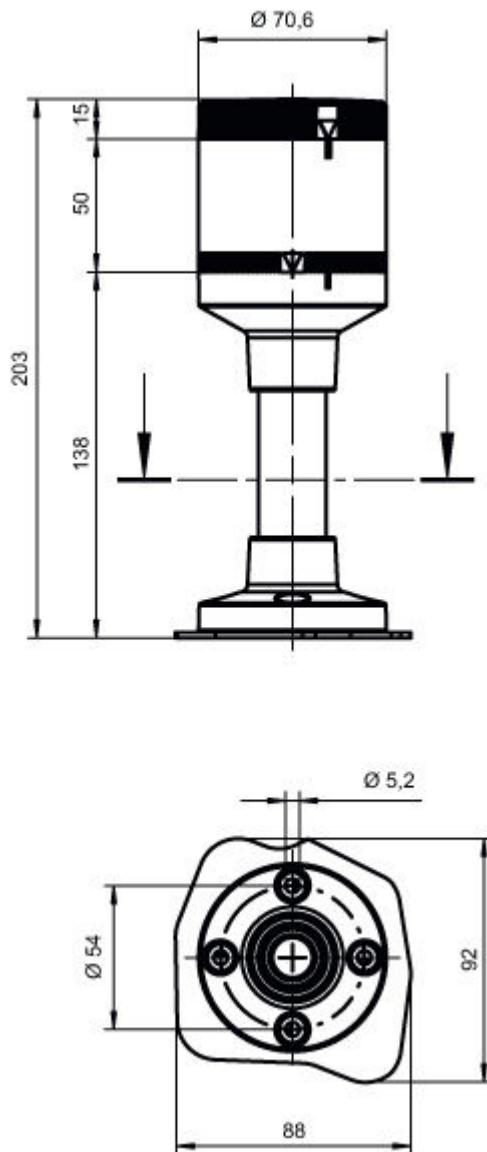
- Technical data
- Dimensioned drawings
- Electrical connection
- Accessories

Technical data

Basic data	
Series	A7
Type of signaling	Optical
Electrical data	
Life expectancy	> 100,000 h
Performance data	
Supply voltage U_B	24 V, DC, 10 %
Current consumption, max.	70 mA
Connection	
Number of connections	1 Piece(s)
Connection 1	
Type of connection	Cable, soldered to lens / open end
Function	Light color programmable via actuation of wires Voltage supply
Cable length	1,500 mm
Number of conductors	6 -wire
Mechanical data	
Design	Cylindrical
Dimension (\varnothing x L)	70 mm x 203 mm
Housing material	Plastic
Housing color	Black Gray
Type of fastening, at system	Screw type / horizontal
Type of illuminant	LED/24V
Lens modules	1 piece
Display of the lens colors	7 colors can be selected
Signal image	Continuous or flashing light
Lens colors	Blue Green Pink Red Turquoise White Yellow
Angle of radiation	360°
Certifications	
Degree of protection	IP 66
Certifications	CE CSA
Classification	
Customs tariff number	85318070
eCl@ss 8.0	27371220
eCl@ss 9.0	27371220
ETIM 5.0	EC000232

Dimensioned drawings

All dimensions in millimeters



Electrical connection

Connection 1	
Type of connection	Cable, soldered to lens / open end
Function	Light color programmable via actuation of wires Voltage supply
Cable length	1,500 mm
Sheathing material	PVC
Cable color	Gray
Number of conductors	6 -wire
Wire cross section	0.34 mm ²


Conductor color	Conductor assignment
Black	GND

Part no.: 50138252 – A7-V1-MP1-DS-M7-T-100 – Signaling column

Conductor color	Conductor assignment
Red	Multicolor light color: red
Green	Multicolor light color: green
Blue	Multicolor light color: blue
Blue Red	Multicolor light color: pink
Green Red	Multicolor light color: yellow
Blue Green	Multicolor light color: turquoise
Blue Green Red	Multicolor light color: white
Yellow	Light color: orange
White	Light color: white / buzzer

Accessories

Mounting technology - Mounting brackets

	Part no.	Designation	Article	Description
	50137729	A7-MW1	Signaling column element	Design: Bracket mounting Fastening, at system: Screw type / vertical Lens modules: Max. 5 pieces Module holder: One side Ambient temperature: -10 ... 60 °C Degree of protection: IP 66