



Figure can vary

**Part no.: 50138247**  
**A7-V1-DB-O-T**  
**Signaling column element**



## Contents

- Technical data
- Dimensioned drawings
- Accessories

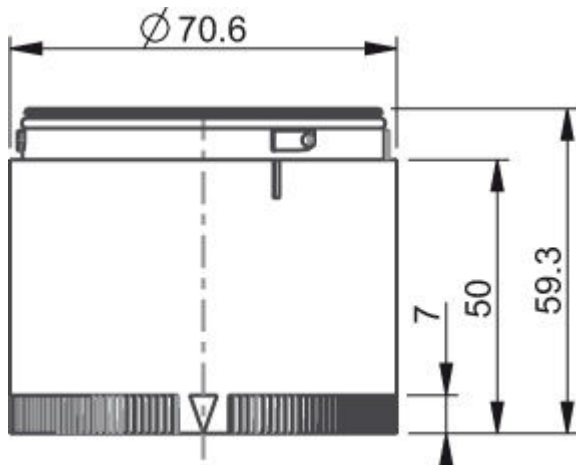
Part no.: 50138247 – A7-V1-DB-O-T – Signaling column element

## Technical data

<b>Basic data</b>	
Series	A7
Suitable for	Signaling column elements of the E7 series
Type of signaling	Optical
<b>Electrical data</b>	
Life expectancy	> 100,000 h
<b>Performance data</b>	
Supply voltage $U_B$	24 V, DC, 10 %
Current consumption, max.	50 mA
<b>Connection</b>	
Notes	Protected against accidental interchanges: Actuation of the colors is performed via PINs, thus, the calotte position can be freely selected.
<b>Mechanical data</b>	
Design	Cylindrical
Dimension ( $\varnothing \times L$ )	70 mm x 50 mm
Housing material	Plastic
Type of fastening	Bayonet system
Type of illuminant	LED/24V
Signal image	Flashing light
Lens color	Orange
Angle of radiation	360°
<b>Environmental data</b>	
Ambient temperature, operation	-10 ... 60 °C
<b>Certifications</b>	
Degree of protection	IP 66
<b>Classification</b>	
eCl@ss 8.0	27371220
eCl@ss 9.0	27371220
ETIM 5.0	EC000232
ETIM 6.0	EC000232




## Dimensioned drawings

All dimensions in millimeters



## Accessories

### Mounting

	Part no.	Designation	Article	Description
	50135463	A7-MP1-100	Signaling column element	Connection: Terminal, Tension spring technology Diameter: 70 mm Design: Base mountingCylindrical Fastening, at system: Screw type / horizontal Lens modules: Max. 5 pieces Module holder: One side Ambient temperature: -10 ... 60 °C Degree of protection: IP 66
	50135464	A7-MP1-250	Signaling column element	Connection: Terminal, Tension spring technology Diameter: 70 mm Design: Base mountingCylindrical Fastening, at system: Screw type / horizontal Lens modules: Max. 5 pieces Module holder: One side Ambient temperature: -10 ... 60 °C Degree of protection: IP 66
	50135465	A7-MP1-400	Signaling column element	Connection: Terminal, Tension spring technology Diameter: 70 mm Design: Base mountingCylindrical Fastening, at system: Screw type / horizontal Lens modules: Max. 5 pieces Module holder: One side Ambient temperature: -10 ... 60 °C Degree of protection: IP 66