



Figure can vary

**Part no.: 50136784**  
**DCR55M2/R2-150-M12.8**  
**Stationary 2D-code reader**



## Contents

- Technical data
- Dimensioned drawings
- Electrical connection
- Diagrams
- Notes

## Technical data

<b>Basic data</b>	
Series	DCR 55
<b>Functions</b>	
Software functions	Reading of 1D codes Reading of 2D codes
<b>Read data</b>	
Code types, readable	2/5 Hong Kong 2/5 Interleaved 2/5 NEC 2/5 Straight Australian Post Aztec BC412 Canada Post Codabar Codablock F Code 11 Code 128 Code 32 Code 39 Code 49 Code 93 Data Matrix Code EAN/UPC GS1 Databar HanXin Intelligent Mail Japan Post KIX Code Korea Post
<b>Optical data</b>	
Reading distance	30 ... 425 mm
LED group	Exempt group (in acc. with EN 62471:2006)
Camera resolution, horizontal	1,280 px
Camera resolution, vertical	960 px
Module size	0.127 ... 0.528 mm
<b>Electrical data</b>	
Protective circuit	
<b>Performance data</b>	
Supply voltage $U_B$	4.75 ... 5.25 V , DC
Current consumption, max.	425 mA
<b>Inputs</b>	
Number of digital switching inputs	1 Piece(s)
<b>Switching inputs</b>	
<b>Digital switching input 1</b>	
Function	Reading gate
<b>Outputs</b>	
Number of digital switching outputs	1 Piece(s)
<b>Switching outputs</b>	
Voltage type	DC
<b>Switching output 1</b>	
Switching element	Transistor , NPN

**Interface**

Type	RS 232
<b>RS 232</b>	
Function	Process
Transmission speed	9,600 ... 115,200 Bd
Data format	configurable

**Connection**

Number of connections	1 Piece(s)
<b>Connection 1</b>	
Type of connection	Cable with connector
Function	Data interface Signal IN Signal OUT Voltage supply
Cable length	150 mm
Sheathing material	PUR
Cable color	Black
Thread size	M12
Type	Male
Material	Plastic
No. of pins	8 -pin
Encoding	A-coded

**Mechanical data**

Design	Cubic
Dimension (W x H x L)	31.5 mm x 20 mm x 40.3 mm
Housing material	Metal , Diecast aluminum
Lens cover material	Plastic
Net weight	89 g
Housing color	Red Silver
Type of fastening	Mounting thread

**Operation and display**

Type of display	LED
Type of configuration	Software

**Environmental data**

Ambient temperature, operation	0 ... 50 °C
Ambient temperature, storage	-20 ... 60 °C
Relative humidity (non-condensing)	10 ... 90 %

**Certifications**

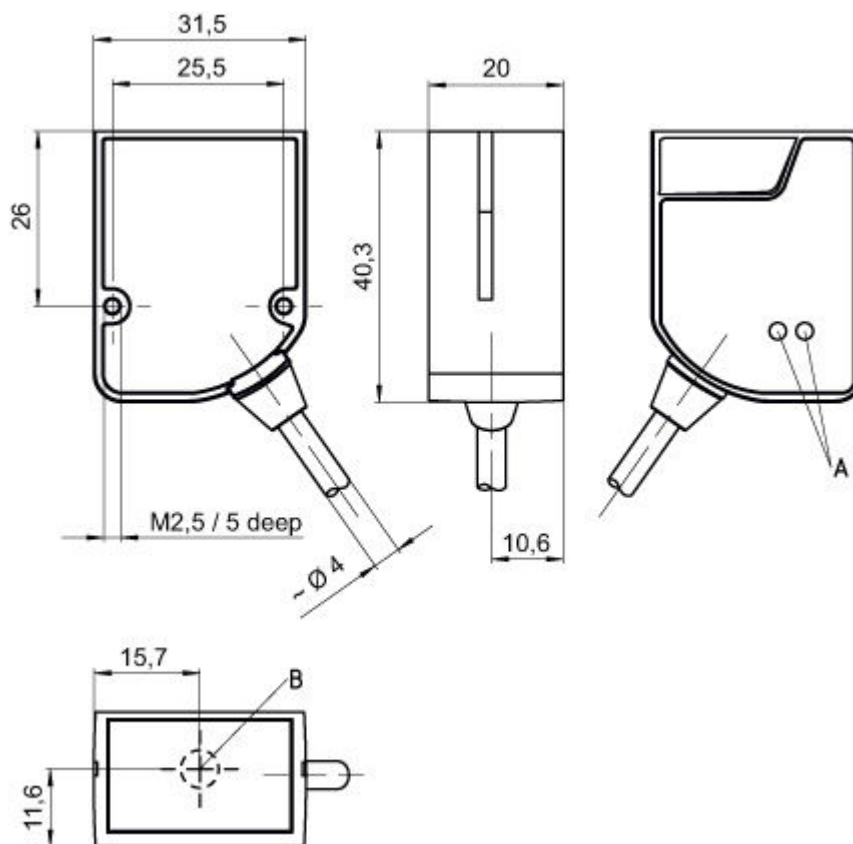
Degree of protection	IP 54
Certifications	c UL US FCC RoHS
Test procedure for EMC in accordance with standard	EN 61326-1

**Classification**

Customs tariff number	84719000
eCl@ss 8.0	27280103
eCl@ss 9.0	27280103
ETIM 5.0	EC002999
ETIM 6.0	EC002999

## Dimensioned drawings

All dimensions in millimeters



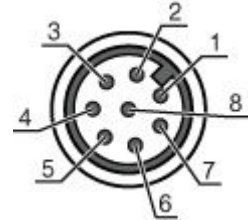
A LED indicator  
B Optical axis

## Electrical connection

Connection 1	
Type of connection	Cable with connector
Function	Data interface Signal IN Signal OUT Voltage supply
Cable length	150 mm
Sheathing material	PUR
Cable color	Black
Wire cross section	

Connection 1	
Thread size	M12
Type	Male
Material	Plastic
No. of pins	8 -pin
Encoding	A-coded

Pin	Pin assignment
1	V+
2	IN 1
3	GND
4	OUT 1
5	n.c.
6	RS 232 RxD
7	RS 232 TxD
8	FE/SHIELD



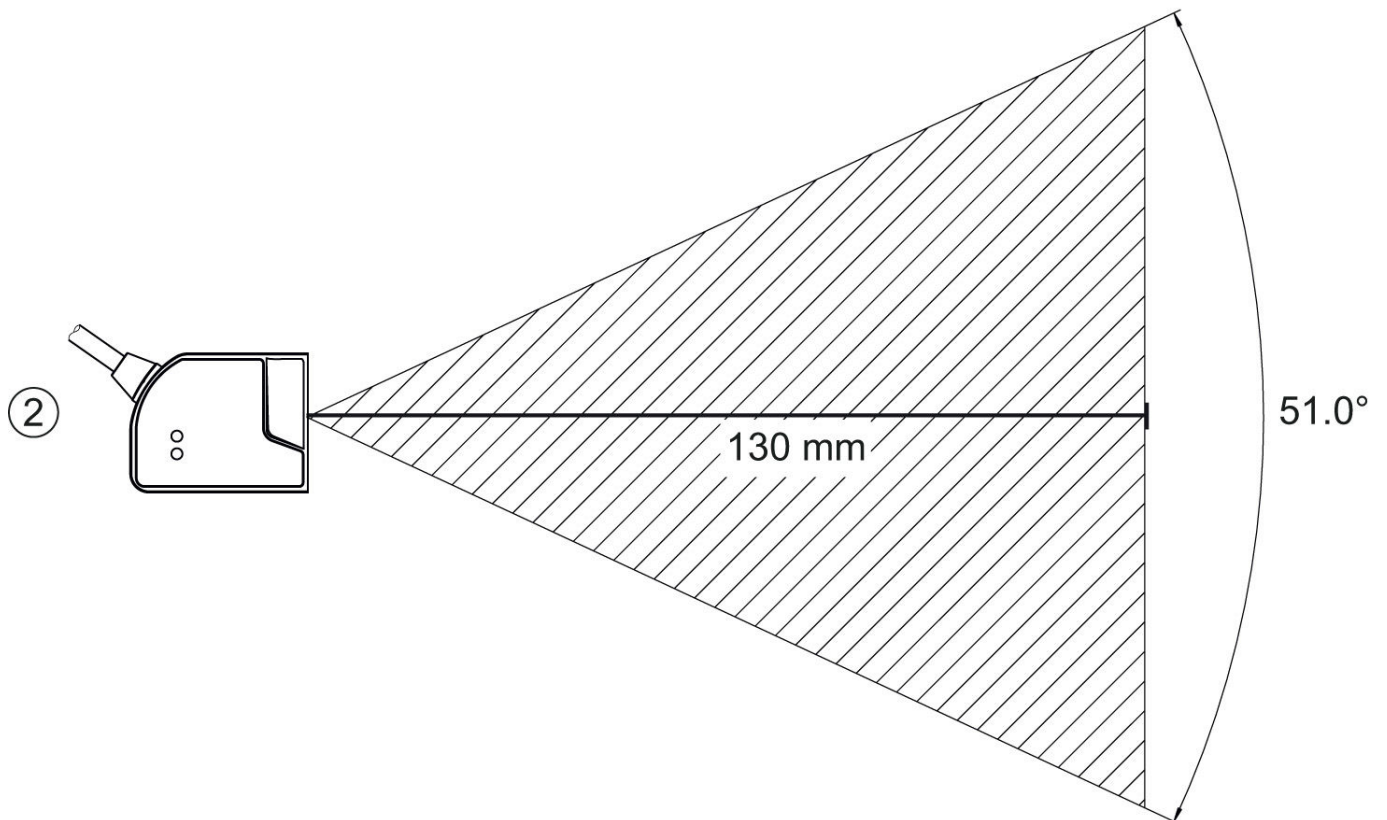
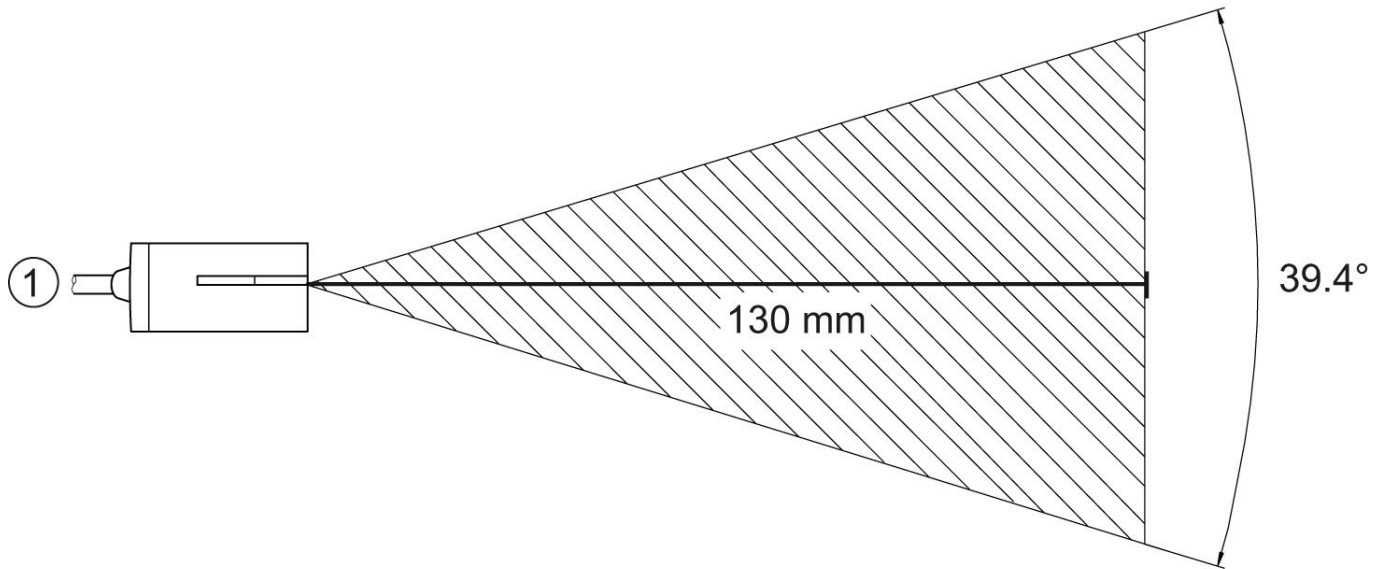
## Diagrams

### Reading distances

A	B	
<b>Code 39</b> / 0,190mm (7,5mil)	<b>50 (2,0)</b>	<b>245 (9,6)</b>
<b>GS1 Databar</b> / 0,267mm (10,5mil)	<b>35 (1,4)</b>	<b>225 (8,9)</b>
<b>UPC</b> / 0,330mm (13mil)	<b>40 (1,5)</b>	<b>370 (14,6)</b>
<b>PDF417</b> / 0,147mm (5,8mil)	<b>85 (3,3)</b>	<b>155 (6,1)</b>
<b>PDF417</b> / 0,170mm (6,7mil)	<b>65 (2,6)</b>	<b>175 (6,9)</b>
<b>Data Matrix</b> / 0,127mm (5mil)	<b>75 (3,0)</b>	<b>90 (3,5)</b>
<b>Data Matrix</b> / 0,160mm (6,3mil)	<b>70 (2,8)</b>	<b>135 (5,3)</b>
<b>Data Matrix</b> / 0,254mm (10mil)	<b>50 (2,0)</b>	<b>205 (8,1)</b>
<b>Data Matrix</b> / 0,528mm (20,8mil)	<b>30 (1,2)</b>	<b>425 (16,7)</b>

- A Code type / resolution mm  
 B Reading distance [mm] ([inch])

Reading field



- 1 Reading field, lateral
- 2 Reading field, top view

## Notes

### Observe intended use!

- This product is not a safety sensor and is not intended as personnel protection.
- The product may only be put into operation by competent persons.
- Only use the product in accordance with its intended use.