



Figure can vary

Part no.: 50136773
DCR55M2/UB-1800-S6
Stationary 2D-code reader



Contents

- Technical data
- Dimensioned drawings
- Electrical connection
- Diagrams
- Notes

Technical data

Basic data	
Series	DCR 55
Functions	
Software functions	Reading of 1D codes Reading of 2D codes
Read data	
Code types, readable	2/5 Hong Kong 2/5 Interleaved 2/5 NEC 2/5 Straight Australian Post Aztec BC412 Canada Post Codabar Codablock F Code 11 Code 128 Code 32 Code 39 Code 49 Code 93 Data Matrix Code EAN/UPC GS1 Databar HanXin Intelligent Mail Japan Post KIX Code Korea Post
Optical data	
Reading distance	30 ... 425 mm
LED group	Exempt group (in acc. with EN 62471:2006)
Camera resolution, horizontal	1,280 px
Camera resolution, vertical	960 px
Module size	0.127 ... 0.528 mm
Electrical data	
Protective circuit	
Performance data	
Supply voltage U_B	4.75 ... 5.25 V , DC
Current consumption, max.	425 mA
Interface	
Type	USB
USB	
Function	Process
Specification	USB 2.0
Operating mode	COM port emulation Keyboard emulation
Connection	
Number of connections	1 Piece(s)

Connection 1

Type of connection	Cable with USB-connector
Function	Data interface Voltage supply
Cable length	1,800 mm
Sheathing material	PUR
Cable color	Black

Mechanical data

Design	Cubic
Dimension (W x H x L)	31.5 mm x 20 mm x 40.3 mm
Housing material	Metal , Diecast aluminum
Lens cover material	Plastic
Net weight	89 g
Housing color	Red Silver
Type of fastening	Mounting thread

Operation and display

Type of display	LED
Type of configuration	Software

Environmental data

Ambient temperature, operation	0 ... 50 °C
Ambient temperature, storage	-20 ... 60 °C
Relative humidity (non-condensing)	10 ... 90 %

Certifications

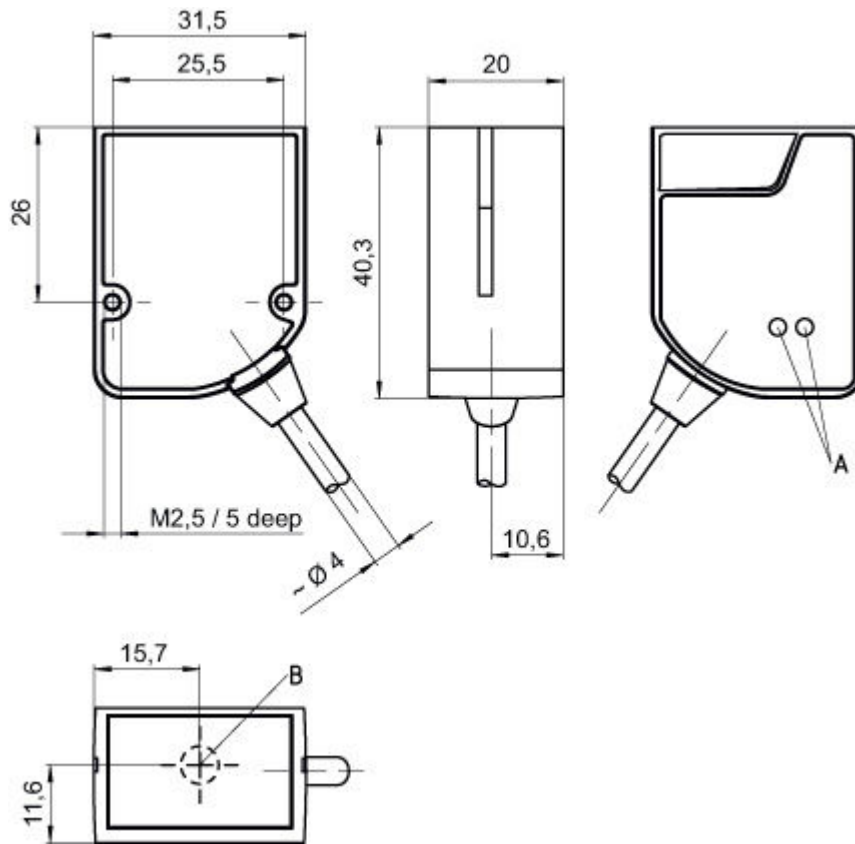
Degree of protection	IP 54
Certifications	c UL US FCC RoHS
Test procedure for EMC in accordance with standard	EN 61326-1

Classification

Customs tariff number	84719000
eCl@ss 8.0	27280103
eCl@ss 9.0	27280103
ETIM 5.0	EC002999
ETIM 6.0	EC002999

Dimensioned drawings

All dimensions in millimeters

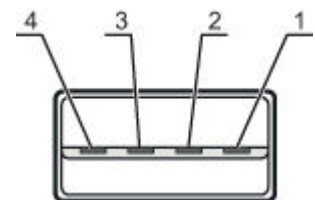


A LED indicator
B Optical axis

Electrical connection

Connection 1	
Type of connection	Cable with USB-connector
Function	Data interface Voltage supply
Cable length	1,800 mm
Sheathing material	PUR
Cable color	Black
Wire cross section	
Connector type	USB 2.0 Standard-A

Pin	Pin assignment
1	V+
2	DATA-
3	DATA+
4	GND



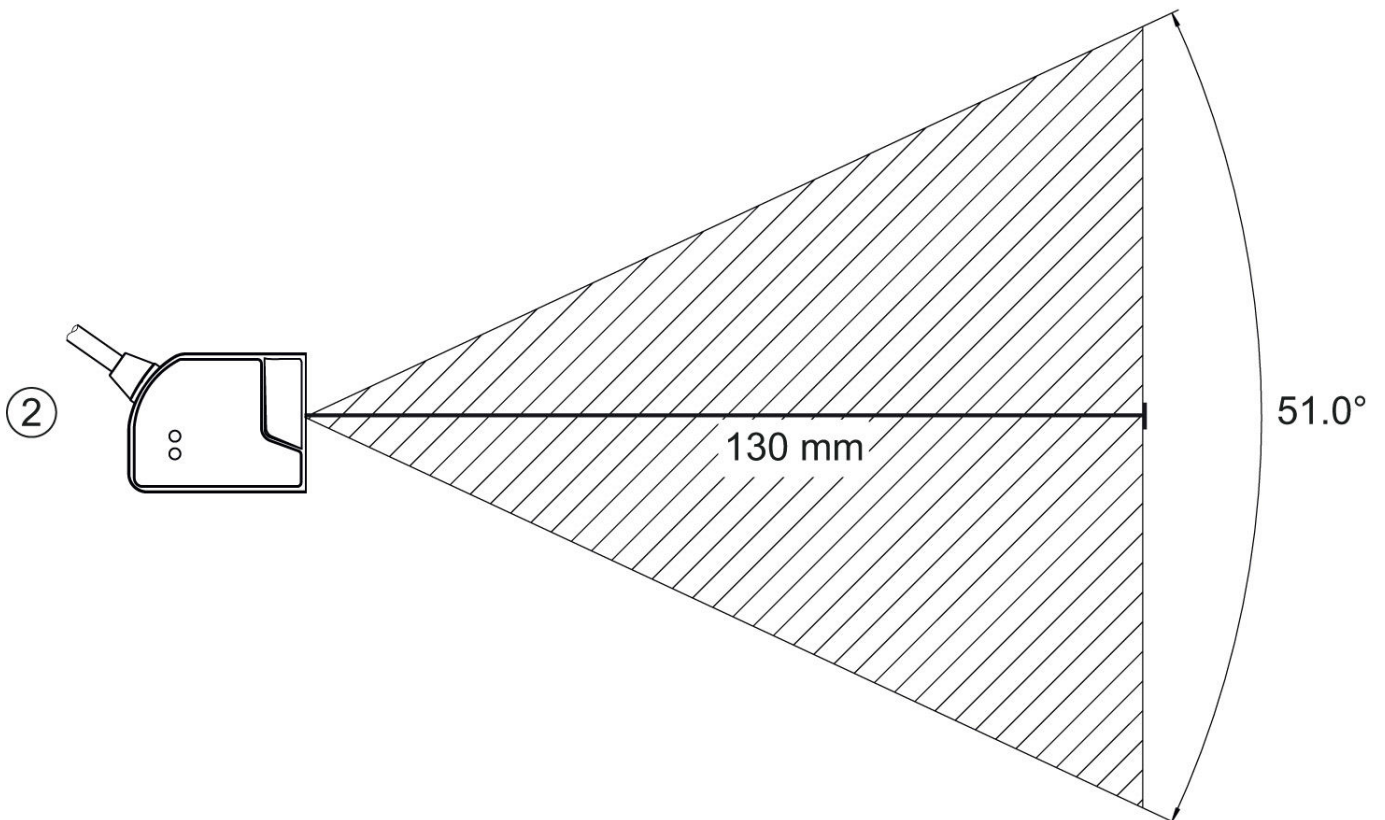
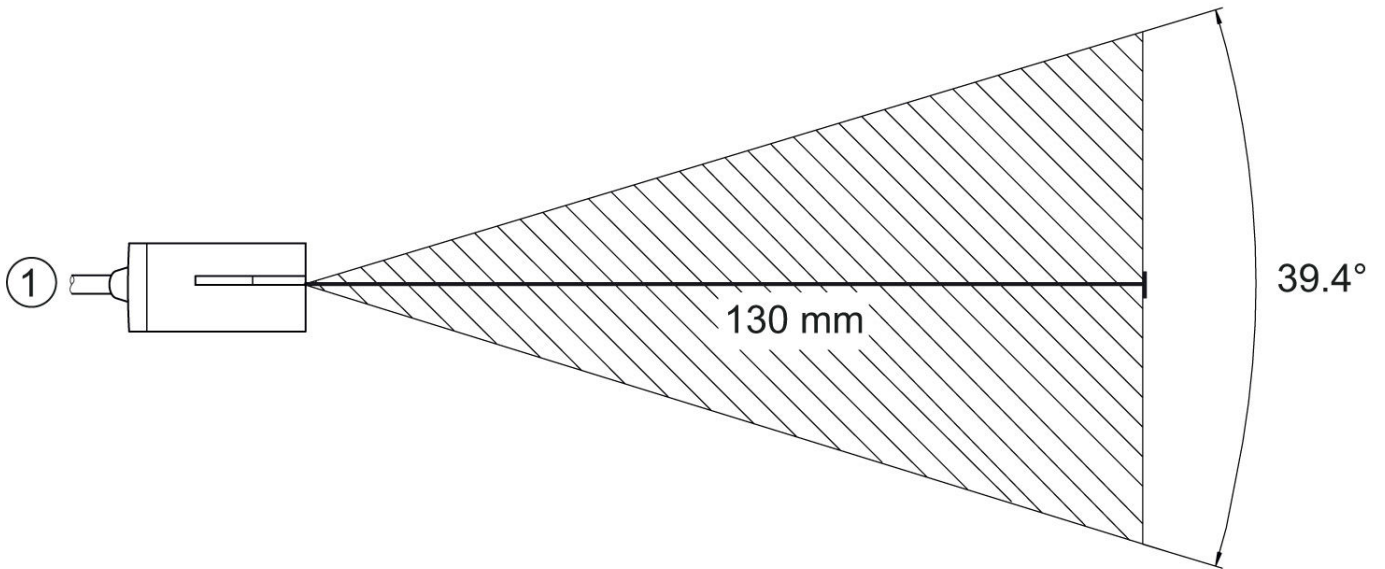
Diagrams

Reading distances

A	B	
Code 39 / 0,190mm (7,5mil)	50 (2,0)	245 (9,6)
GS1 Databar / 0,267mm (10,5mil)	35 (1,4)	225 (8,9)
UPC / 0,330mm (13mil)	40 (1,5)	370 (14,6)
PDF417 / 0,147mm (5,8mil)	85 (3,3)	155 (6,1)
PDF417 / 0,170mm (6,7mil)	65 (2,6)	175 (6,9)
Data Matrix / 0,127mm (5mil)	75 (3,0)	90 (3,5)
Data Matrix / 0,160mm (6,3mil)	70 (2,8)	135 (5,3)
Data Matrix / 0,254mm (10mil)	50 (2,0)	205 (8,1)
Data Matrix / 0,528mm (20,8mil)	30 (1,2)	425 (16,7)

- A Code type / resolution mm
- B Reading distance [mm] ([inch])

Reading field



- 1 Reading field, lateral
- 2 Reading field, top view

Notes

Observe intended use!

- This product is not a safety sensor and is not intended as personnel protection.
- The product may only be put into operation by competent persons.
- Only use the product in accordance with its intended use.