

Part no.: 50136275
KY-S-SDD-25A25A24A-100-P1-X01
Interconnection cable



Figure can vary

Contents

- Technical data
- Electrical connection
- Circuit diagrams
- Accessories

Technical data

Basic data

Connection

Connection 1

Type of connection	Connector
Thread size	M12
Type	Male
Handle body material	PUR
Handle body color	Black
No. of pins	5 -pin
Encoding	A-coded
Design	Axial

Connection 2

Type of connection	Connector
Thread size	M12
Type	Female
Handle body material	PUR
Handle body color	Black
No. of pins	5 -pin
Encoding	A-coded
Design	Axial

Connection 3

Type of connection	Connector
Thread size	M12
Type	Female
No. of pins	5 -pin
Encoding	A-coded
Design	Axial
Handle body material	PUR
Handle body color	Black
Bridged	Pin 1 <-> Pin 4

Cable properties	
Number of conductors	4 Piece(s)
Wire cross section	3 x 0.34 mm ² 4 x 0.34 mm ²
AWG	22
Sheathing color	Black
Shielded	Yes
Silicone-free	Yes
Cable design	Distribution cable
Cable diameter (external)	5 mm
Cable length	500 mm
Cable length fork 1	750 mm
Cable length fork 2	10,000 mm
Sheathing material	PUR
Wire insulation	PP
Suitability for drag chains	Yes
Traverse rate	Max. 3.3 m/s with horiz. traverse path of 5m and and max. acceleration of 5m/s ²
Properties of the outer sheathing	Free of CFC, cadmium, silicone, halogen and lead, matt, low-adhesion, abrasion-resistant, easily machine-processable
Resistance of the outer sheathing	Hydrolysis and microbe resistant, good oil, gasoline and chemical resistance in accordance with VDE 0472 part 803 test B, flame retardant in accordance with UL 1581 VW1 / CSA FT1 / IEC 60332-1, IEC 60332-2-2
Torsion suitability	±30° / m (max. 2 mio. cycles with 35 cycles / min)

Mechanical data	
Width across flats	13 mm
Bending cycles	5,000,000 Piece(s)
Bending radius, flexible laying, min.	Min. 10 x cable diameter
Bending radius, stationary laying, min.	Min. 5 x cable diameter

Environmental data	
Ambient temperature, operation	-25 ... 80 °C

Certifications	
Degree of protection	IP 67

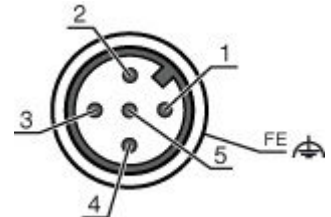
Classification	
Customs tariff number	85444290
eCl@ss 8.0	27279218
eCl@ss 9.0	27060311
ETIM 5.0	EC001855
ETIM 6.0	EC001855

Electrical connection

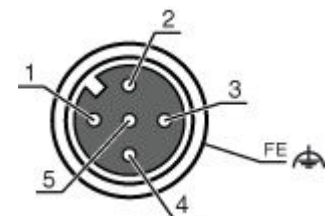
Connection 1	
Type of connection	Connector
Thread size	M12

Part no.: 50136275 – KY-S-SDD-25A25A24A-100-P1-X01 – Interconnection

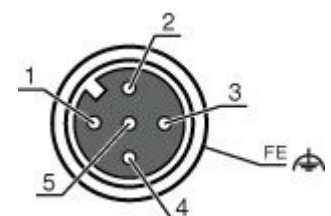
Connection 1	
Type	Male
Handle body material	PUR
Handle body color	Black
No. of pins	5 -pin
Encoding	A-coded
Design	Axial



Connection 2	
Type of connection	Connector
Thread size	M12
Type	Female
Handle body material	PUR
Handle body color	Black
No. of pins	5 -pin
Encoding	A-coded
Design	Axial
Lock	

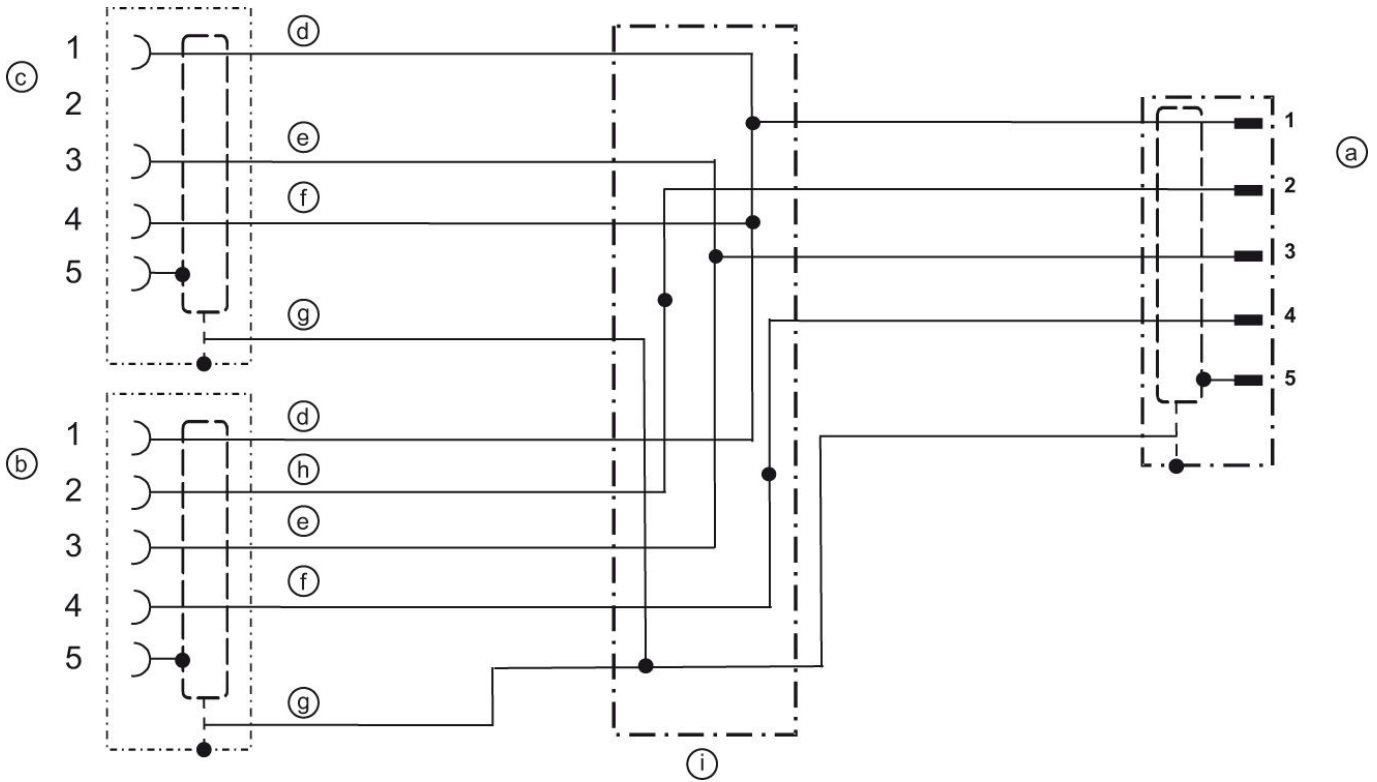


Connection 3	
Type of connection	Connector
Thread size	M12
Type	Female
No. of pins	5 -pin
Encoding	A-coded
Design	Axial
Handle body material	PUR
Handle body color	Black
Bridged	Pin 1 <-> Pin 4



Circuit diagrams


Connection diagram



- a Connector, M12
- b Socket, M12
- c Socket, M12
- d Brown wire
- e Blue wire
- f Black wire
- g Shielded
- h White wire
- i T-connector

Accessories

General

	Part no.	Designation	Article	Description
	50132266	TT-Set 0,6-13	Tool	Type: Torque key Width across flats: 13 mm Torque: 0.6 N·m Material: Plastic, Stainless steel Ambient temperature: -40 ... 120 °C