



Part no.: 50135460
A7-V1-DS-B-T
Signaling column element



Figure can vary

Contents

- Technical data
- Dimensioned drawings
- Accessories

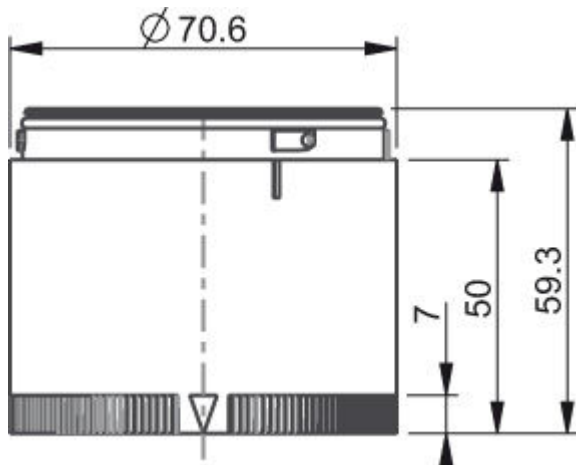
Part no.: 50135460 – A7-V1-DS-B-T – Signaling column element

Technical data

Basic data	
Series	A7
Suitable for	Signaling column elements of the A7 – Advanced Series
Type of signaling	Optical
Electrical data	
Life expectancy	> 100,000 h
Performance data	
Supply voltage U_B	24 V, DC, 10 %
Current consumption, max.	40 mA
Connection	
Notes	Protected against accidental interchanges: Actuation of the colors is performed via PINs, thus, the calotte position can be freely selected.
Mechanical data	
Design	Cylindrical
Dimension ($\varnothing \times L$)	70 mm x 50 mm
Housing material	Plastic
Type of fastening	Bayonet system
Type of illuminant	LED/24V
Signal image	Continuous light
Lens color	Blue
Angle of radiation	360°
Environmental data	
Ambient temperature, operation	-10 ... 60 °C
Certifications	
Degree of protection	IP 66
Classification	
eCl@ss 8.0	27371220
eCl@ss 9.0	27371220
ETIM 5.0	EC000232
ETIM 6.0	EC000232




Dimensioned drawings

All dimensions in millimeters



Accessories

Mounting

	Part no.	Designation	Article	Description
	50135463	A7-MP1-100	Signaling column element	Connection: Terminal, Tension spring technology Diameter: 70 mm Design: Base mountingCylindrical Fastening, at system: Screw type / horizontal Lens modules: Max. 5 pieces Module holder: One side Ambient temperature: -10 ... 60 °C Degree of protection: IP 66
	50135464	A7-MP1-250	Signaling column element	Connection: Terminal, Tension spring technology Diameter: 70 mm Design: Base mountingCylindrical Fastening, at system: Screw type / horizontal Lens modules: Max. 5 pieces Module holder: One side Ambient temperature: -10 ... 60 °C Degree of protection: IP 66
	50135465	A7-MP1-400	Signaling column element	Connection: Terminal, Tension spring technology Diameter: 70 mm Design: Base mountingCylindrical Fastening, at system: Screw type / horizontal Lens modules: Max. 5 pieces Module holder: One side Ambient temperature: -10 ... 60 °C Degree of protection: IP 66