



Figure can vary

**Part no.: 50135453**  
**M4-V1-MW3-DS-C-T-M12-200**  
**Muting indicator**



## Contents

- Technical data
- Dimensioned drawings
- Electrical connection
- Notes

Part no.: 50135453 – M4-V1-MW3-DS-C-T-M12-200 – Muting indicator

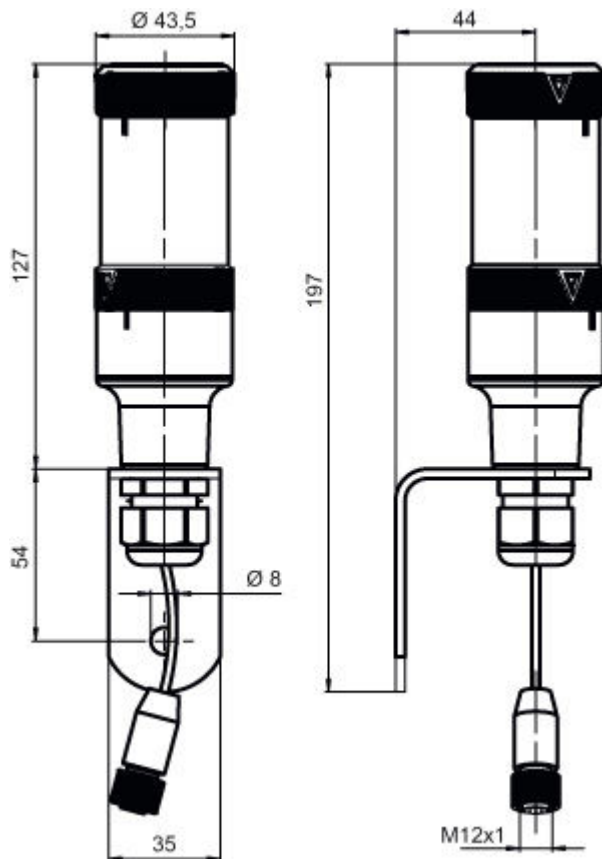
## Technical data

<b>Basic data</b>	
Series	M4
Type of signaling	Optical
<b>Optical data</b>	
Light source	White
<b>Electrical data</b>	
Life expectancy	> 100,000 h
<b>Performance data</b>	
Supply voltage $U_B$	24 V, AC/DC, 10 %
Current consumption, max.	27 mA
<b>Connection</b>	
Number of connections	1 Piece(s)
<b>Connection 1</b>	
Type of connection	Cable with connector
Function	Voltage supply
Cable length	2,000 mm
Thread size	M12
Type	Male
Material	Metal
No. of pins	5 -pin
Encoding	A-coded
<b>Mechanical data</b>	
Design	Cylindrical
Dimension ( $\varnothing \times L$ )	40 mm x 200 mm
Housing material	Plastic, PC
Housing color	Black Clear
Type of illuminant	LED/24V
Signal image	Continuous light
Lens color	Clear
Angle of radiation	360°
<b>Environmental data</b>	
Ambient temperature, operation	-30 ... 60 °C
<b>Certifications</b>	
Degree of protection	IP 66
Certifications	c UL US CE CSA
<b>Classification</b>	
Customs tariff number	85318070
eCl@ss 8.0	27371220

eCl@ss 9.0	27371220
ETIM 5.0	EC000232
ETIM 6.0	EC000232

## Dimensioned drawings

All dimensions in millimeters



## Electrical connection

Connection 1	
Type of connection	Cable with connector
Function	Voltage supply
Cable length	2,000 mm
Sheathing material	
Cable color	Black
Wire cross section	
Thread size	M12
Type	Male
Material	Metal
No. of pins	5 -pin
Encoding	A-coded

## Notes

### Observe intended use!

- This product is not a safety sensor and is not intended as personnel protection.
- The product may only be put into operation by competent persons.
- Only use the product in accordance with its intended use.