



Part no.: 50132993
MSI-EM-18-03
Safe input module



Figure can vary

Contents

- Technical data
- Dimensioned drawings
- Electrical connection
- Circuit diagrams
- Notes

Part no.: 50132993 – MSI-EM-I8-03 – Safe input module

Technical data

Basic data	
Series	MSI-EM
Application	Monitoring of safety functions
Number of safe I/Os	8 IN
Functions	
Functions	Extension module for the MSI 400 configurable safety control Extension with 8 safe inputs
Characteristic parameters	
Performance Level (PL)	e , EN ISO 13849-1
PFH _D	0.00000000568 per hour
PFH _D	5,68E-09 per hour
Mission time T _M	20 years , EN ISO 13849-1
Category	4 , EN ISO 13849
Electrical data	
Performance data	
Power consumption, max.	1.4 W
Output circuit	
Control circuit	
Number of inputs	8 Piece(s)
Voltage permitted at the input	30 V
Input current at signal 1	8 mA
Interface	
Type	Internal bus (SBUS+)
Connection	
Number of connections	1 Piece(s)
Connection 1	
Type of connection	Terminal
Function	Signal IN
Type of terminal	Spring-cage terminal
No. of pins	16 -pin
Cable properties	
Connection cross sections	2 x 0.2 to 1.5 mm ² , wire 2 x 0.2 to 1.5 mm ² , wire 2 x 0.25 to 1.5 mm ² , wire with wire-end sleeve (pressed in trapezium shape)
Mechanical data	
Dimension (W x H x L)	22.5 mm x 107 mm x 120.8 mm
Net weight	150 g
Housing color	Gray
Type of fastening	Snap-on mounting
Environmental data	
Ambient temperature, operation	-25 ... 65 °C

Part no.: 50132993 – MSI-EM-I8-03 – Safe input module

Ambient temperature, storage	-25 ... 70 °C
Relative humidity (non-condensing)	10 ... 95 %

Certifications

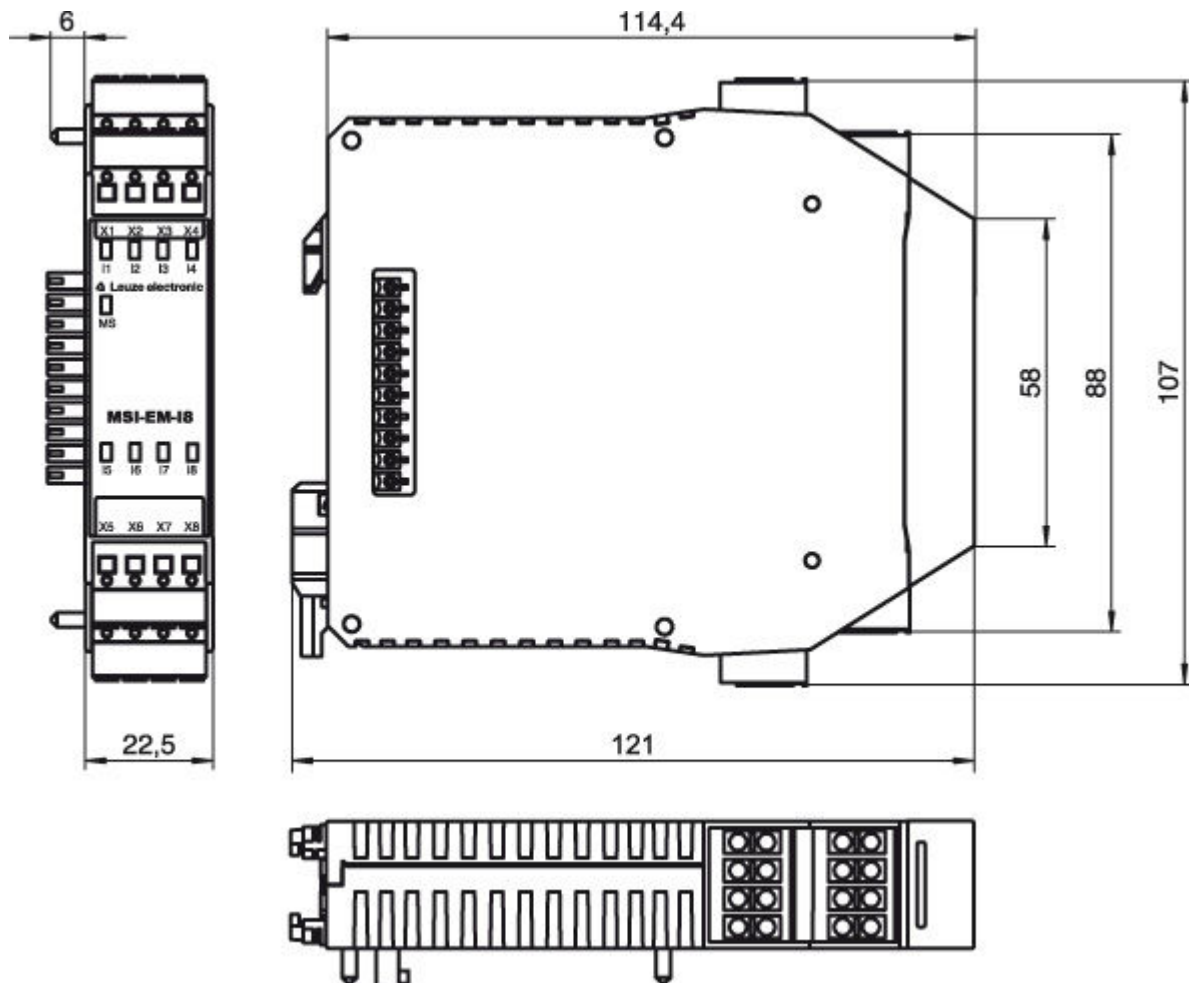
Degree of protection	IP 20 (terminals) IP 40 (housing)
Protection class	III
Certifications	c UL US TÜV Rheinland
Vibration resistance	5 ... 500 Hz
Test procedure for oscillation in accordance with standard	EN 60068-2-6
Shock resistance, single shock	30 g, 11 ms, EN 60068-2-27
Shock resistance, continuous shock	10 g, 16 ms, EN 60068-2-29

Classification

Customs tariff number	85364900
eCl@ss 8.0	27242204
eCl@ss 9.0	27242204
ETIM 5.0	EC001419
ETIM 6.0	EC001419

Dimensioned drawings

All dimensions in millimeters



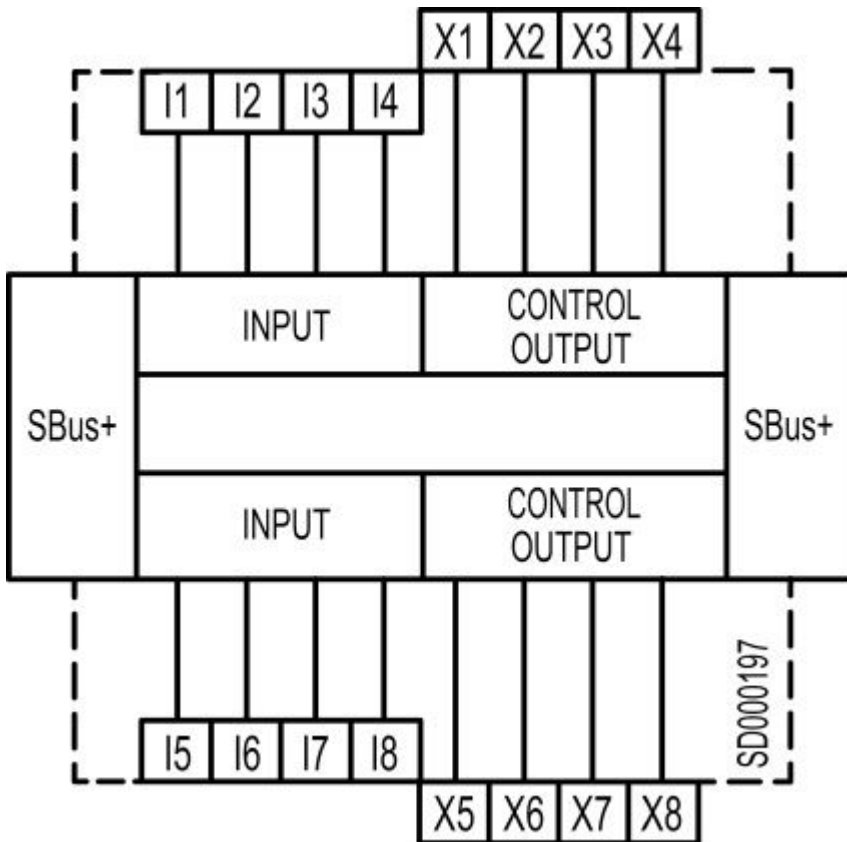
Electrical connection

Connection 1	
Type of connection	Terminal
Function	Signal IN
Type of terminal	Spring-cage terminal
No. of pins	16 -pin

Terminal	Assignment
I1	Safe input
I2	Safe input
I3	Safe input
I4	Safe input
I5	Safe input
I6	Safe input
I7	Safe input
I8	Safe input
X1	Test signal output (test signal 1)
X2	Test signal output (test signal 2)
X3	Test signal output (test signal 1)
X4	Test signal output (test signal 2)

Terminal	Assignment
X5	Test signal output (test signal 1)
X6	Test signal output (test signal 2)
X7	Test signal output (test signal 1)
X8	Test signal output (test signal 2)

Circuit diagrams



Notes

Observe intended use!

- The product may only be put into operation by competent persons.
- Only use the product in accordance with its intended use.