



**Part no.: 50130531**  
**P45-V1-B-DS-R-BZ-098**  
**Indicator light / acoustic indicator**



Figure can vary

## Contents

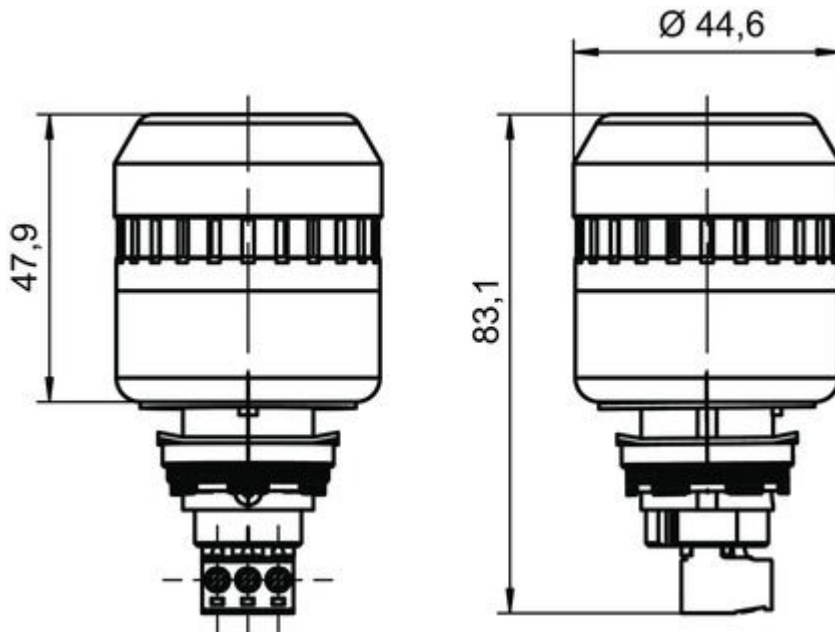
- Technical data
- Dimensioned drawings
- Electrical connection
- Notes

## Technical data

<b>Basic data</b>	
Type of signaling	Optical and acoustic
<b>Electrical data</b>	
Life expectancy	> 100,000 h
<b>Performance data</b>	
Supply voltage $U_B$	24 V, AC/DC
Current consumption, max.	58 mA
<b>Connection</b>	
<b>Connection 1</b>	
Type of connection	Terminal
<b>Mechanical data</b>	
Design	Cylindrical
Dimension ( $\varnothing$ x L)	45 mm x 83 mm
Length in installed state	48 mm
Housing material	Plastic
Net weight	65 g
Housing color	Black
Type of fastening, at system	In bore holes with $\varnothing$ 22.5 mm
Type of illuminant	LED/24V
Lens illumination	Full
Signal image	Continuous or flashing light
Lens color	Red
Angle of radiation	360°
<b>Environmental data</b>	
Ambient temperature, operation	-25 ... 60 °C
<b>Certifications</b>	
Degree of protection	IP 65
Certifications	c UL US
<b>Acoustic data</b>	
Tone type	Continuous or pulse tone
Audio frequency	Approx. 3500 Hz
Sound pressure	85 ... 98 dB
Number of tones	3
<b>Classification</b>	
Customs tariff number	85318070
eCl@ss 8.0	27371290
eCl@ss 9.0	27371290
ETIM 5.0	EC000272
ETIM 6.0	EC000272

## Dimensioned drawings

All dimensions in millimeters



## Electrical connection

<b>Connection 1</b>	
Type of connection	Terminal
Function	
Type of terminal	Removable screw terminals

## Notes

### Observe intended use!

- This product is not a safety sensor and is not intended as personnel protection.
- The product may only be put into operation by competent persons.
- Only use the product in accordance with its intended use.

### For UL applications:

- For UL applications, use is only permitted in Class 2 circuits in accordance with the NEC (National Electric Code).