



Part no.: 50130022
IS 122PP/4NO-5E0
Inductive switch



Figure can vary

Contents

- Technical data
- Dimensioned drawings
- Electrical connection
- Operation and display
- Part number code

Part no.: 50130022 – IS 122PP/4NO-5E0 – Inductive switch

Technical data

Basic data

Typ. operating range limit S_N 5 mm

Electrical data

Protective circuit Polarity reversal protection
Short circuit protected
Overload protection

Performance data

Supply voltage U_B 10 ... 30 V, DC
Open-circuit current 10 mA
Temperature drift, max. (in % of S_r) 10 %
Repeatability, max. (in % of S_r) 1 %
Switching hysteresis 15 %

Outputs

Number of digital switching outputs 1 Piece(s)

Switching outputs

Voltage type DC
Switching current, max. 200 mA
Residual current, max. 0.01 mA
Voltage drop 2 V

Switching output 1

Switching element Transistor, PNP
Switching principle NO (normally open)

Timing

Switching frequency 500 Hz

Connection

Number of connections 1 Piece(s)

Connection 1

Type of connection Cable
Function Signal OUT
Voltage supply
Cable length 2,000 mm
Sheathing material PVC
Cable color Black
Number of conductors 3 -wire
Wire cross section 0.25 mm²

Mechanical data

Design Cubic
Dimension (W x H x L) 18 mm x 18 mm x 34.3 mm
Type of installation Embedded
Housing material Plastic, ABS
Sensing face material Plastic, ABS
Housing color Transparent
Red, RAL 3000
Type of fastening Through-hole mounting
Standard measuring plate 18 x 18 mm², Fe360

Part no.: 50130022 – IS 122PP/4NO-5E0 – Inductive switch

Operation and display

Type of display	LED
Number of LEDs	1 Piece(s)

Environmental data

Ambient temperature, operation	-25 ... 70 °C
Ambient temperature, storage	-25 ... 70 °C

Certifications

Degree of protection	IP 67
Protection class	
Certifications	CE
Standards applied	IEC 60947-5-2

Correction factors

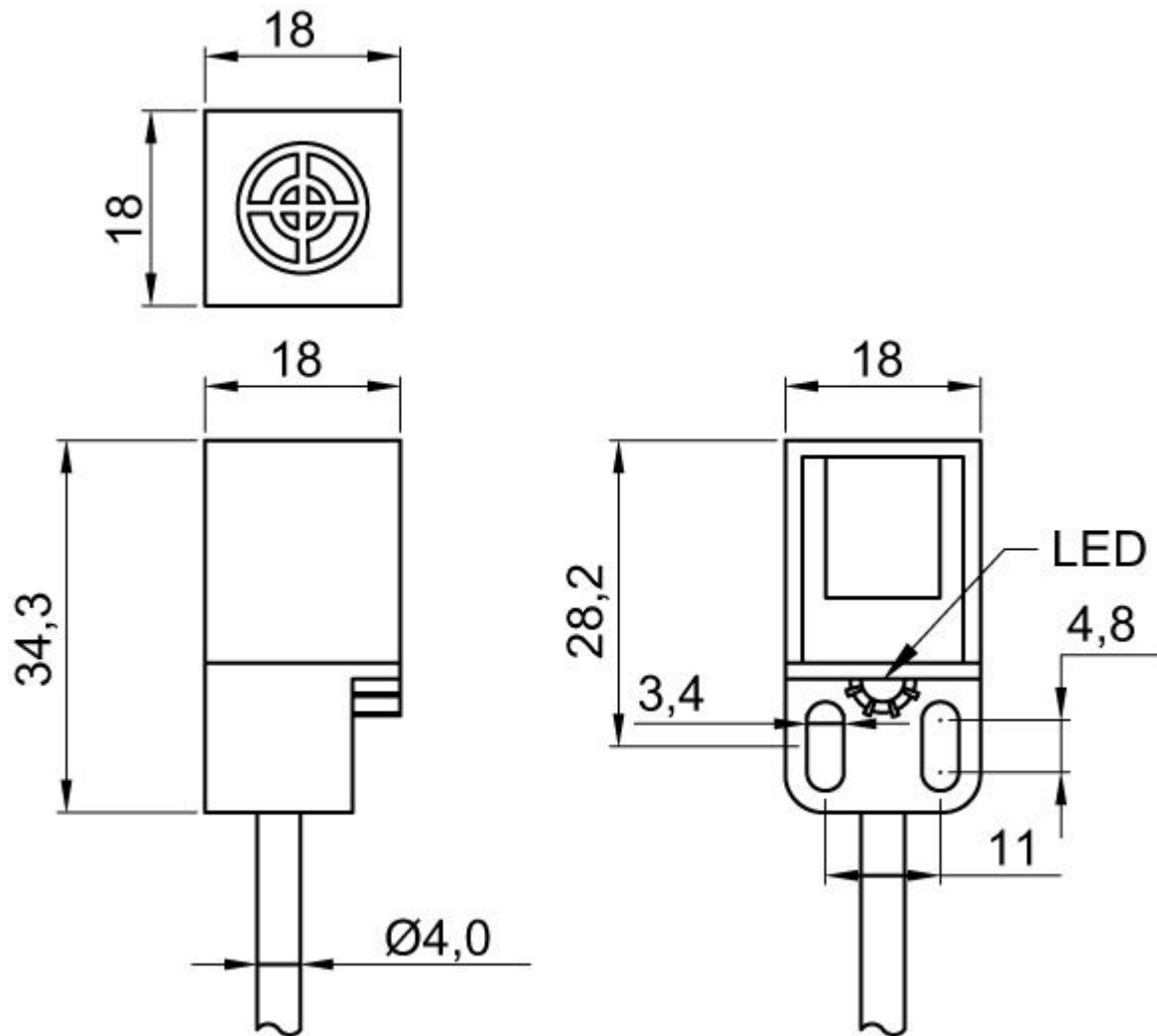
Fe360 steel	1
Stainless steel	0.6 ... 1
Brass	0.35 ... 0.5
Aluminum	0.35 ... 0.45
Copper	0.25 ... 0.45

Classification

eCl@ss 8.0	27270101
eCl@ss 9.0	27270101
ETIM 5.0	EC002714
ETIM 6.0	EC002714

Dimensioned drawings

All dimensions in millimeters



Electrical connection

Connection 1	
Type of connection	Cable
Function	Signal OUT Voltage supply
Cable length	2,000 mm
Sheathing material	PVC
Cable color	Black
Number of conductors	3 -wire
Wire cross section	0.25 mm ²

Conductor color	Conductor assignment
Brown	V+
Blue	GND
Black	OUT 1

Part no.: 50130022 – IS 122PP/4NO-5E0 – Inductive switch

Operation and display

LEDs

LED	Display	Meaning
1	Yellow, continuous light	Switching output/switching state

Part number code

Part designation: **ISX YYY XX/ZZZ-AAA-BBBB**

ISX	Operating principle / construction: IS: inductive switch, standard design ISS: inductive switch, short construction
YYY	Series: 104: series with Ø 4.0 mm 108: series with M8 x 1 external thread 112: series with M12 x 1 external thread 118: series with M18 x 1 external thread 122: series in cubic design with 18 x 18 mm 130: series with M30 x 1.5 external thread 144: series in cubic design with 40 x 40 mm 180: series in cubic design with 80 x 80 mm
XX	Housing: MM: metal housing (active surface: plastic) / metric thread PP: Plastic housing MP: metal housing (active surface: plastic) / smooth (without thread)
ZZZ	Switching output: 4NO: PNP transistor, NO contact 4NC: PNP transistor, NC contact 44: PNP transistor, NO contact / NC contact 2NO: NPN transistor, NO contact 2NC: NPN transistor, NC contact 22: NPN transistor, NO contact / NC contact
AAA	Measurement range / type of installation: 1E2: typ. range limit 1.2 mm / embedded installation 2E0: typ. range limit 2.0 mm / embedded installation 4E0: typ. range limit 4.0 mm / embedded installation 4N0: typ. range limit 4.0 mm / non-embedded installation 5E0: typ. range limit 5.0 mm / embedded installation 6E0: typ. range limit 6.0 mm / embedded installation 8E0: typ. range limit 8.0 mm / embedded installation 8N0: typ. range limit 8.0 mm / non-embedded installation 10E: typ. range limit 10.0 mm / embedded installation 15N: typ. range limit 15.0 mm / non-embedded installation 16E: typ. range limit 16.0 mm / embedded installation 16N: typ. range limit 16.0 mm / non-embedded installation 20E: typ. range limit 20.0 mm / embedded installation 25N: typ. range limit 25.0 mm / non-embedded installation 30N: typ. range limit 30.0 mm / non-embedded installation 40N: typ. range limit 40.0 mm / non-embedded installation 50N: typ. range limit 50.0 mm / non-embedded installation
DDD	Electrical connection: n/a: cable, PVC, standard length 2000 mm, 3-wire M8.3: M8 connector, 3-pin (plug) M12: M12 connector, 4-pin (plug) TB.4: terminals, 4-pin