



Part no.: 50108290
TFM 04 1190.230
Transponder



Figure can vary

Contents

- Technical data
- Dimensioned drawings
- Accessories

Part no.: 50108290 – TFM 04 1190.230 – Transponder

Technical data

Basic data

Series	TFM
Suitable for	RFM
Chip	Infineon MyD
Working frequency	13.56 MHz

Electrical data

Performance data

Memory access	Read/Write
Memory size	1,024 B
Memory block	128 Piece(s)
Memory block size	8 B
Storage time	50 ms

Certifications

Standards applied	ISO 15693
-------------------	-----------

Mechanical data

Design	Disc
Thickness	2.5 mm
Outer diameter	40 mm
Inner diameter	4.2 mm
Housing material	Plastic, PC
Net weight	4 g

Environmental data

Ambient temperature, operation	-20 ... 70 °C
Ambient temperature, storage	-25 ... 120 °C

Certifications

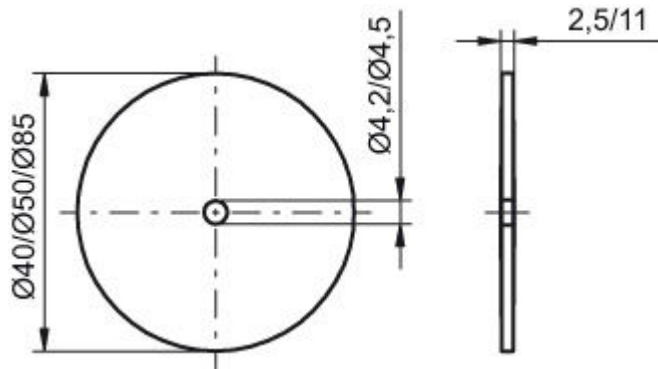
Degree of protection	IP 66
----------------------	-------

Classification

Customs tariff number	85235200
eCl@ss 8.0	27289290
eCl@ss 9.0	27280402
ETIM 5.0	EC002996
ETIM 6.0	EC002996

Dimensioned drawings

All dimensions in millimeters




Notes

- Under certain circumstances, metal in the reading field reduces the operating range considerably.

Accessories

Mounting technology - Other

	Part no.	Designation	Article	Description
	50107103	Spacer 50 HT	Spacer	Design, housing: Hollow cylinder Inner diameter: 5 mm Housing material: Plastic, PA 66