

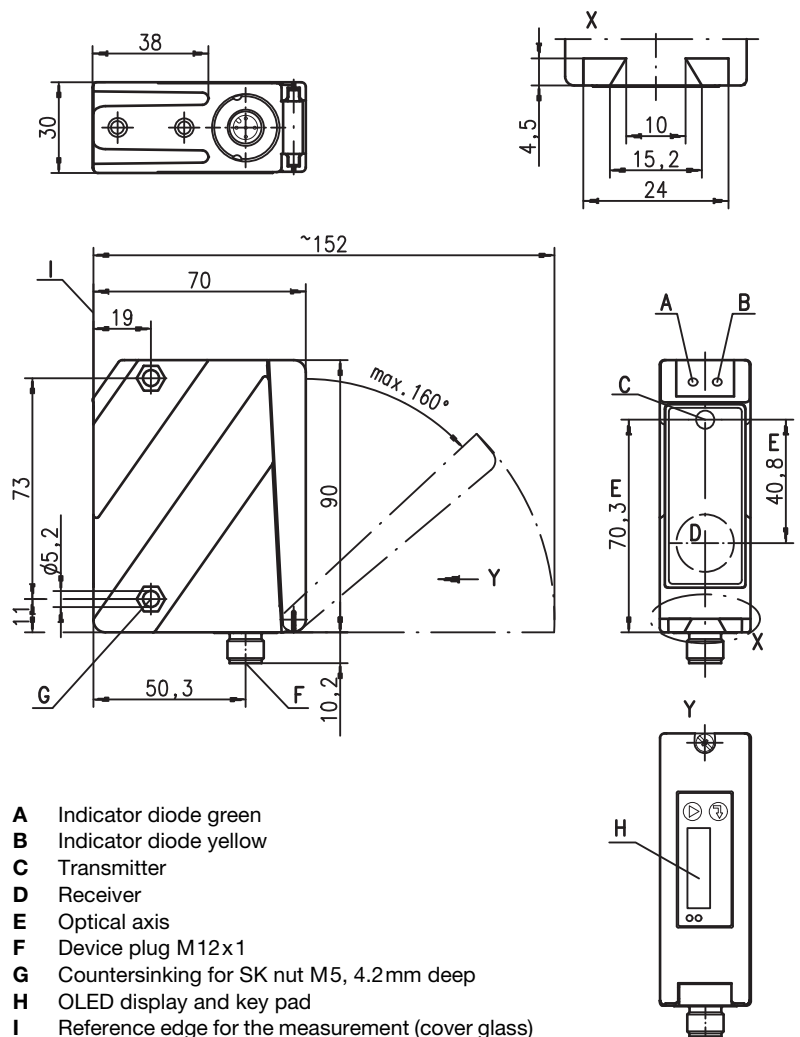
ODSL 96B

Optical laser distance sensors

en 04-2012/11 50107948

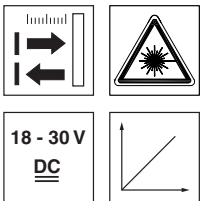


Dimensioned drawing



- A Indicator diode green
- B Indicator diode yellow
- C Transmitter
- D Receiver
- E Optical axis
- F Device plug M12x1
- G Countersinking for SK nut M5, 4.2mm deep
- H OLED display and key pad
- I Reference edge for the measurement (cover glass)

150 ... 2000mm

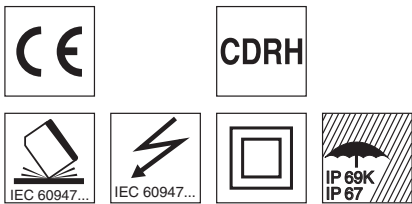


- Reflection-independent distance information
- Highly insensitive to extraneous light
- Analogue current or voltage output
- PC/OLED display and key pad for configuration
- Measurement value is indicated in mm on OLED display
- Measurement range and mode adjustable
- Teachable switching output and analogue output

Electrical connection

ODSL 96B M/V6...-S12	
18-30V DC +	1 —■ br/BN
teach in	2 —■ ws/WH
GND	3 —■ bl/BU
○ ● ⊕	4 —■ sw/BK
1-10V	5 —■ gr/GY

ODSL 96B M/C6...-S12	
18-30V DC +	1 —■ br/BN
teach in	2 —■ ws/WH
GND	3 —■ bl/BU
○ ● ⊕	4 —■ sw/BK
4-20mA	5 —■ gr/GY



Accessories:

(available separately)

- Mounting systems
- Cable with M12 connector (K-D ...)
- Configuration software

We reserve the right to make changes • DS_ODSL96BMCV62000_en_50107948.fm

Specifications

Optical data

Measurement range ¹⁾	150 ... 2000mm
Resolution ²⁾	1 ... 3mm
Light source	laser
Wavelength	655nm (visible red light)
Light spot	divergent, 2x6mm ² at 2m
Laser warning notice	see remarks

Error limits (relative to measurement distance)

Absolute measurement accuracy ¹⁾	± 1.5%
Repeatability ³⁾	± 0.5%
b/w detect. thresholds (6 ... 90% rem.)	≤ 1%
Temperature compensation	yes ⁴⁾

Timing

Measurement time	1 ... 5 ¹⁾ ms
Response time ¹⁾	≤ 15ms
Delay before start-up	≤ 300ms

Electrical data

Operating voltage U_B	18 ... 30VDC (incl. residual ripple)
Residual ripple	≤ 15% of U_B
Bias current	≤ 150mA
Switching output	push-pull switching output ⁵⁾ , PNP light switching, NPN dark switching
Signal voltage high/low	≥ ($U_B - 2$ V) / ≤ 2V
Analogue output	voltage 1 ... 10V, $R_L \geq 2k\Omega$ current 4 ... 20mA, $R_L \leq 500\Omega$

Indicators

LED green	continuous light	teach-in on GND	teach-in on +U_B
	flashing	ready	
	off	fault	teaching procedure
LED yellow	continuous light	no voltage	
	flashing	object inside teach-in measurement distance	teaching procedure
	off	object outside teach-in measurement distance	

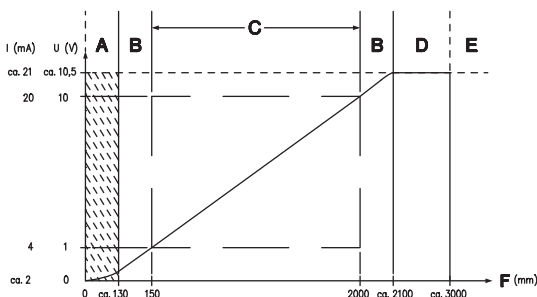
Mechanical data

Housing	metal housing
Optics cover	diecast zinc
Weight	glass
Connection type	380g
	M12 connector

Environmental data

Ambient temp. (operation/storage)	-20°C ... +50°C / -30°C ... +70°C
Protective circuit ⁶⁾	1, 2, 3
VDE safety class ⁷⁾	II, all-insulated
Protection class	IP 67, IP 69K ⁸⁾
Laser class	2 (acc. to EN 60825-1)
Standards applied	IEC 60947-5-2

- 1) Luminosity coefficient 6% ... 90%, complete measurement range, at 20°C, medium range of U_B , measurement object ≥ 50x50mm²
- 2) Minimum and maximum value depend on measurement distance
- 3) Same object, identical environmental conditions, measurement object ≥ 50x50mm²
- 4) Typ. ± 0.02 %/K
- 5) The push-pull switching outputs must not be connected in parallel
- 6) 1=transient protection, 2=polarity reversal protection, 3=short-circuit protection for all outputs
- 7) Rating voltage 250VAC, with cover closed
- 8) IP 69K test acc. to DIN 40050 part 9 simulated, high pressure cleaning conditions without the use of additives. Acids and bases are not part of the test.



- A** Area not defined
- B** Linearity not defined
- C** Measurement range
- D** Object present
- E** No object detected
- F** Measurement distance

Order guide

	Designation	Part No.
With M12 connector		
Current output	ODSL 96B M/C6-2000-S12	501 06593
Voltage output	ODSL 96B M/V6-2000-S12	501 06594

ODSL 96B M/C6-2000-S12 - 04
ODSL 96B M/V6-2000-S12 - 04

Tables

Diagrams

Remarks

- Measurement time depends on the reflectivity of the measurement object and on the measurement mode.

LASER LIGHT DO NOT STARE INTO BEAM	
Maximum Output:	1.2mW
Pulse duration:	22ms
Wavelength:	655nm
CLASS 2 LASER PRODUCT EN60825-1:2003-10	

LASER LIGHT DO NOT STARE INTO BEAM	
Maximum Output:	1.2mW
Pulse duration:	22ms
Wavelength:	655nm
CLASS 2 LASER PRODUCT IEC 60825-1:1993+A2:2001 Complies with 21 CFR 1040.10	