



**Part no.: 50040498**  
**RFM 32 SL 200**  
**RFID read/write device**



Figure can vary

## Contents

- . Technical data
- . Dimensioned drawings
- . Electrical connection
- . Operation and display
- . Accessories

Part no.: 50040498 – RFM 32 SL 200 – RFID read/write device

## Technical data

<b>Basic data</b>	
Series	RFM
Working frequency	13.56 MHz
<b>Functions</b>	
Functions	LED indicator Configurable operating modes Reading gate control I/O
<b>Read data</b>	
Reading/writing range, max.	110 mm
Transponder, readable	TagIT HFI Infineon MyD ICodeSLI
<b>Electrical data</b>	
<b>Performance data</b>	
Supply voltage $U_B$	12 ... 30 V, DC
Power consumption, max.	1.2 W
Memory access	Read/Write
Transmission speed	4,000 Bd
<b>Inputs</b>	
Number of digital switching inputs	1 Piece(s)
<b>Outputs</b>	
Number of digital switching outputs	1 Piece(s)
<b>Interface</b>	
Type	RS 232
<b>RS 232</b>	
Function	Process
<b>Connection</b>	
Number of connections	1 Piece(s)
<b>Connection 1</b>	
Type of connection	Cable with socket connectors (10+6)
Function	Signal OUT Signal IN Voltage supply Data interface
Cable length	1,000 mm
<b>Mechanical data</b>	
Design	Cubic
Dimension (W x H x L)	76 mm x 30 mm x 102 mm
Housing material	Plastic
Net weight	346 g
Housing color	Black
Type of fastening	Through-hole mounting

**Environmental data**

Ambient temperature, operation	-25 ... 65 °C
Ambient temperature, storage	-40 ... 70 °C
Relative humidity (non-condensing)	5 ... 90 %

**Certifications**

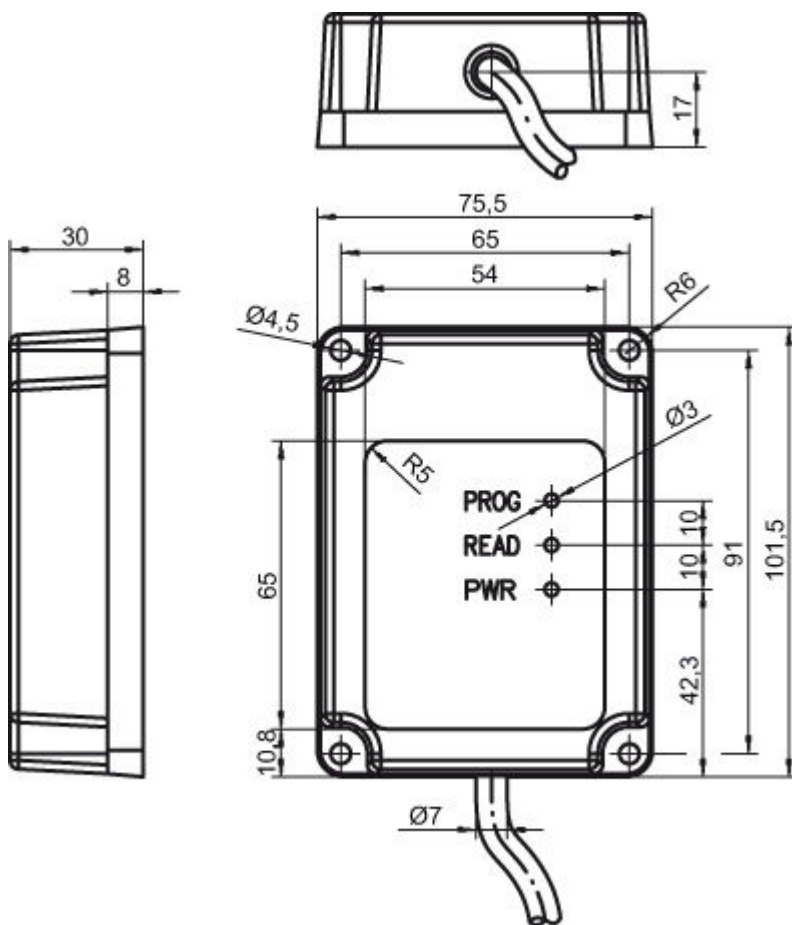
Degree of protection	IP 67
----------------------	-------

**Classification**

eCl@ss 8.0	27280401
eCl@ss 9.0	27280401
ETIM 5.0	EC002998
ETIM 6.0	EC002998

**Dimensioned drawings**

All dimensions in millimeters



## Electrical connection

Connection 1	
Type of connection	Cable with socket connectors (10+6)
Function	Signal OUT Signal IN Voltage supply Data interface
Cable length	1,000 mm

Pin	Pin assignment	Conductor color
1	n.c.	White-brown
2	n.c.	White-red
3	n.c.	White-orange
4	n.c.	White-yellow
5	n.c.	White-green
6	SWOUT 1	White-black
7	GND	Brown
8	n.c.	Red
9	n.c.	Orange
10	RxD	Yellow
11	TxD	Green
12	n.c.	Blue
13	SWIN 1	Violet
14	VIN	Gray
15	GNDIN	White
16	Shield	Shield

## Operation and display

### LEDs

LED	Display	Meaning
1	Yellow, continuous light	Operational readiness
2	Red, continuous light	Reading gate active
3	Green, flashing	Reading successful

## Notes

- Under certain circumstances, metal in the reading field reduces the operating range considerably.

**Accessories**

## Connection technology - Connection unit

	Part no.	Designation	Article	Description
	50031256	MA 2	Connection unit	Interface: RS 232, RS 485 Connections: 3 Piece(s) Degree of protection: IP 54
	50112893	MA 204i Profibus Gateway	Modular connection unit	Supply voltage: 18 ... 30 V Current consumption, max.: 300 mA Interface: PROFIBUS DP, RS 232 Connections: 6 Piece(s) Degree of protection: IP 65
	50112892	MA 208i Ethernet Gateway	Modular connection unit	Supply voltage: 18 ... 30 V Current consumption, max.: 300 mA Interface: Ethernet, RS 232 Connections: 6 Piece(s) Degree of protection: IP 65
	50103125	MA 21 100.2	Modular connection unit	Supply voltage: 18 ... 36 V Interface: RS 232, RS 485 Connections: 3 Piece(s) Degree of protection: IP 65
	50114155	MA 238i EtherCAT Gateway	Modular connection unit	Supply voltage: 18 ... 30 V Current consumption, max.: 300 mA Interface: EtherCAT, RS 232 Connections: 6 Piece(s) Degree of protection: IP 65
	50112891	MA 248i Profinet Gateway	Modular connection unit	Supply voltage: 18 ... 30 V Current consumption, max.: 300 mA Interface: PROFINET, RS 232 Connections: 6 Piece(s) Degree of protection: IP 65
	50114156	MA 255i DeviceNet Gateway	Modular connection unit	Supply voltage: 18 ... 30 V Current consumption, max.: 300 mA Interface: RS 232, DeviceNet Connections: 6 Piece(s) Degree of protection: IP 67
	50114157	MA 258i EtherNet/IP Gateway	Modular connection unit	Supply voltage: 18 ... 30 V Current consumption, max.: 300 mA Interface: EtherNet IP, RS 232 Connections: 6 Piece(s) Degree of protection: IP 65