



Part no.: 429396
BT-2HF-GS
Mounting bracket set

Figure can vary

Contents

- Technical data
- Dimensioned drawings



Part no.: 429396 – BT-2HF-GS – Mounting bracket set

Technical data

Basic data

Contains	2 cylinders for mounting on the light curtain 2x BT-HF swivel mount
Suitable for	MLC 500 middle guest and guest safety light curtains

Mechanical data

Type of fastening, at system	Through-hole mounting
Type of fastening, at device	Clampable
Type of mounting device	Turning, 360°
Mounting device material	Plastic Metal

Classification

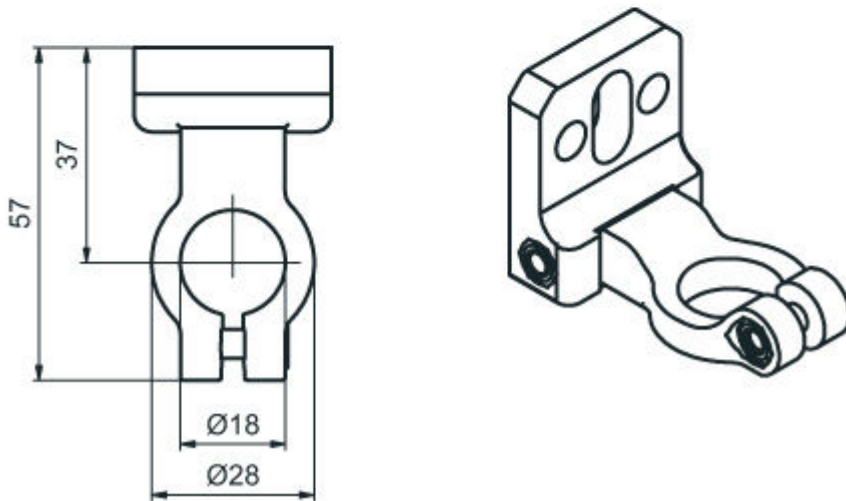
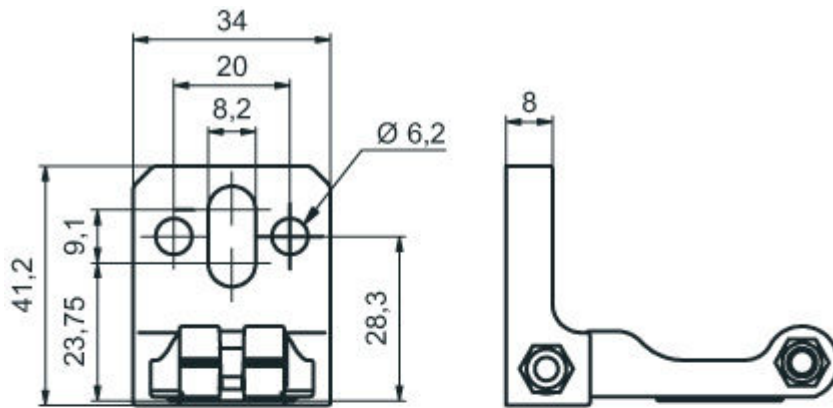
eCl@ss 8.0	27279202
eCl@ss 9.0	27273701

Dimensioned drawings

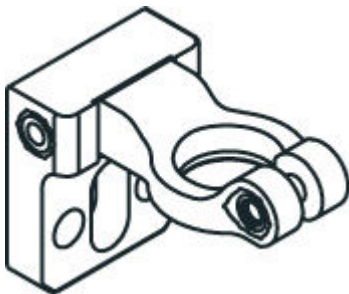
All dimensions in millimeters

Part no.: 429396 – BT-2HF-GS – Mounting bracket set

BT-HF swivel mount



Mounting variant



Part no.: 429396 – BT-2HF-GS – Mounting bracket set

BT-HF swivel mount with vibration damper

