



**Part no.: 429394**  
**BT-2HF-S**  
**Mounting bracket set**

Figure can vary

## Contents

- Technical data
- Dimensioned drawings



Part no.: 429394 – BT-2HF-S – Mounting bracket set

## Technical data

### Basic data

Contains	2x BT-HF swivel mount 1 cylinder for mounting on the light curtain
Suitable for	MLC 500, MLC 300 safety light curtains

### Mechanical data

Type of fastening, at system	Through-hole mounting
Type of fastening, at device	Clampable
Type of mounting device	Turning, 360°
Mounting device material	Metal Plastic

### Classification

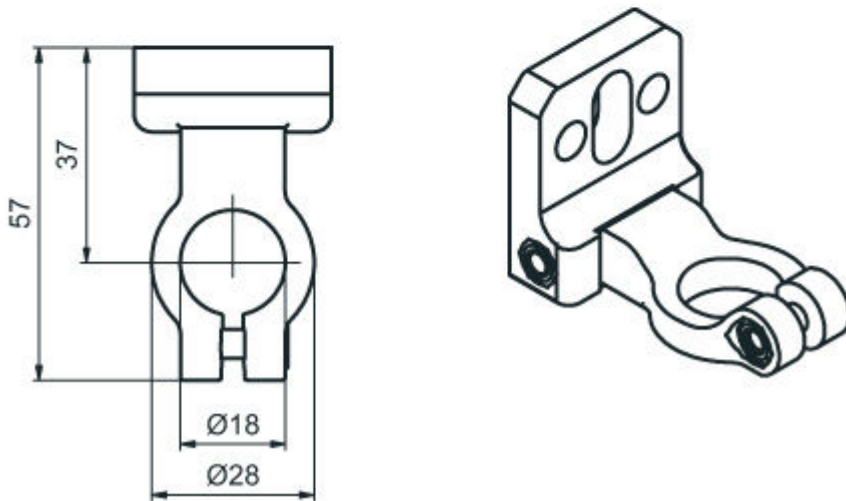
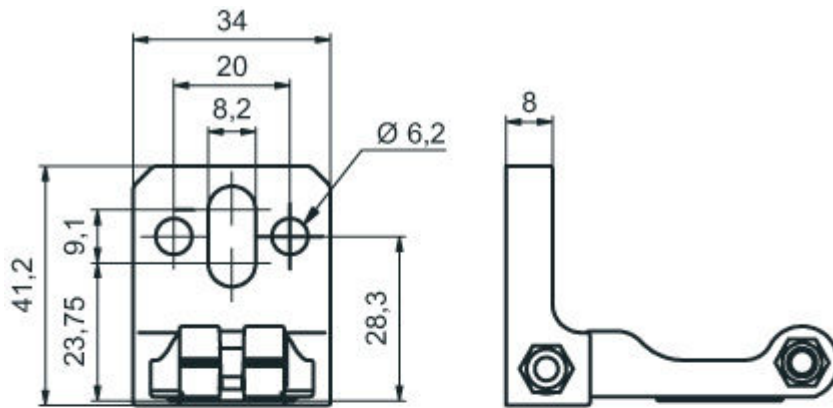
eCl@ss 8.0	27279202
eCl@ss 9.0	27273701

## Dimensioned drawings

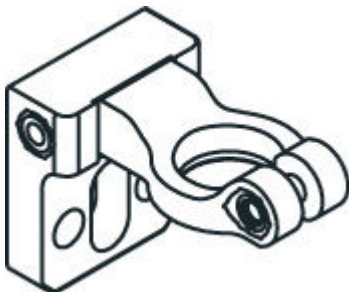
All dimensions in millimeters

Part no.: 429394 – BT-2HF-S – Mounting bracket set

BT-HF swivel mount



Mounting variant



Part no.: 429394 – BT-2HF-S – Mounting bracket set

BT-HF swivel mount with vibration damper

