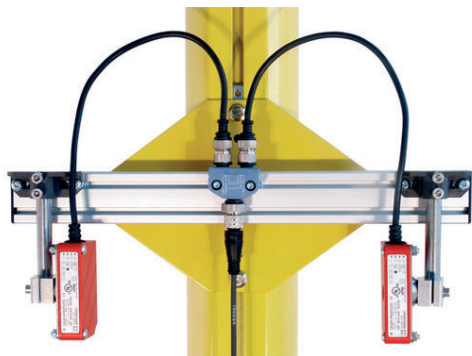


**MSSU-H46**

**Muting sensor set incl. fixing and light scanners**

Art-No. 601927



MSSU-H46 is a set of 2 light scanners and their fixings. It is made to be adjusted and fixed quickly at the rear side vertical sliding nut of device columns. Beyond that each light scanner can be moved horizontally and pivoted in every direction.

Both light scanners are connected electrically parallel via a Y-connector and build thus a logical OR – the output provides a 24V signal when either of the light scanners detects an object. One MSSU-H46 delivers therefore just one muting signal.

In one of the recommended arrangements (Fig. 1) on each side of a conveyor line one MSSU-H46 is mounted. The scan range of the light scanners must be adjusted correctly at the side of valid muting objects MO. Thus MO can be detected before and behind the safety device SD.

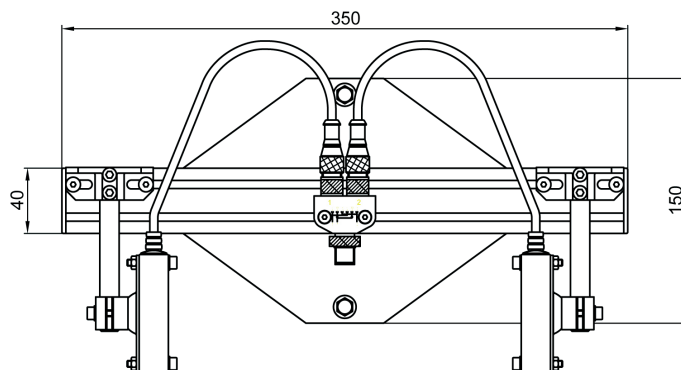
In another arrangement two MSSU-H46 are mounted at the same side of a conveyor line and connected crosswise by prolongation cables to build a virtual sequential muting (Fig. 2).

Fig. 3 shows an arrangement for robust detection of fork lifts in front of a pallet loading station by two MSSU-H46, each of them scanning one wheel MO by both light scanners.

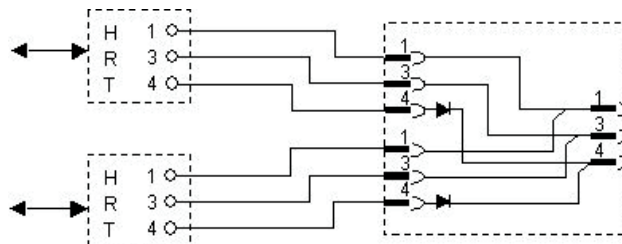
**Features**

- Complete muting sensor set consisting of 2 light scanners and their fixing elements
- Scan range of light scanners HRT46B: 2.5 m
- Electrical parallel connection of both light scanners by Y-connector
- Easy height adjustment and mounting at sliding nut of UDC, UDC-S1 or DC device columns
- Easy adjustment of muting sensors
- Fits to many muting control units as MSI-m(x) or COMPACTplus-m

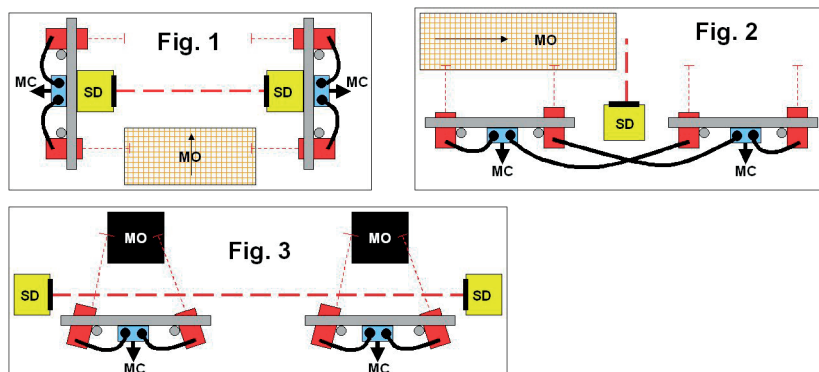
**Dimensional Drawing**



**Electrical Connection**



**Arrangement**



- SD** Safety Device (e.g. COMPACTplus, SOLID, ROBUST, ...)
- MC** Cable to Muting Controller (e.g. COMPACTplus, MSI, ...)
- MO** Muting Object (Fig.1, Fig.2 : e.g. Pallet, Fig.3: e.g. wheels of fork lift)

**Ordering Information**

| Art.-No. | Article             | Description                                    |
|----------|---------------------|--|
| 426371   | MSSU-H46            | Muting sensor set                              |
| 520065   | AC-SCM1             | Sensor connection module for COMPACTplus       |
| 520068   | AC-SCM1-BT          | as AC-SCM1, but with mounting plate            |
| 549827   | UDC-1000-S1         | Device column, height 1060 mm                  |
| 549828   | UDC-1300-S1         | Device column, height 1360 mm                  |
| 549814   | UDC-1600-S1         | Device column, height 1660 mm                  |
| 549829   | UDC-1900-S1         | Device column, height 1960 mm                  |
| 150680   | CB-M12-1500-3GF/GM  | Sensor cable 3-pole, 1,5 m, straight– straight |
| 150681   | CB-M12-1500-3GF/WM  | Sensor cable 3-pole, 1,5 m, straight – angled  |
| 150682   | CB-M12-5000-3GF/GM  | Sensor cable 3-pole, 5 m, straight – straight  |
| 150683   | CB-M12-5000-3GF/WM  | Sensor cable 3-pole, 5 m, straight – angled    |
| 150684   | CB-M12-15000-3GF/GM | Sensor cable 3-pole, 15 m, straight – straight |
| 150685   | CB-M12-15000-3GF/WM | Sensor cable 3-pole, 15 m, straight – angled   |
| 50020501 | KD095-5A            | Cable socket 5-pole f. self assembl., straight |

Subject to change without prior notice