
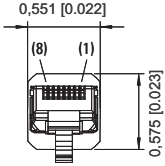
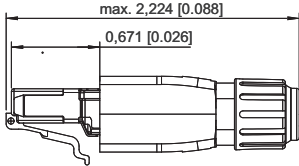


RJ45 connection technology Connectors, self-assembly

8 pin			Order no.
RJ45 connector straight Housing: plastic, IP20	screw connections, for cable \varnothing 4.5 ... 8 mm [0.18 ... 0.32"]	suitable for: SMBU, SMBS, SMBD	05.VS-08-RJ45-5-Q/IP20
			

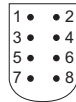
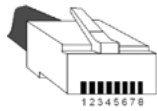
Connection technology

RJ45 connection technology Cordsets, pre-assembled

With RJ45 and Mini-IO connector, 8 pin Working temp. -20°C ... +60°C [-4°F ... +140°F] Order no.

RJ45 connector + Mini-IO connector

Cable: PVC, 6 x 2 x 0.14 mm² [AWG 25]
Housing: ABS, metallized



suitable for our series:

EMAI
SMAS

Terminal assignment

Signal:	0 V	+V	B	\bar{B}	A	\bar{A}	\perp
Pin Mini-I/O:	8	n.c.	5	6	2	1	PH ²⁾
Pin RJ45:	2	1	4	5	7	8	PH ²⁾

cable length¹⁾

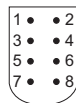
Terminal ENC1, ENC2
HTL, SinCos

1 m [3.28']

8.SMAS.C21.001M

Mini-IO connector + single-ended

Cable: PVC, 6 x 2 x 0.14 mm² [AWG 25]
Housing: ABS, metallized



suitable for our series:

EMAI

Terminal assignment

Signal:	0 V	+V	B	\bar{B}	A	\bar{A}	\perp
Pin Mini-I/O:	8	7	5	6	2	1	PH ²⁾
Cable colour:	WH	BN	GN	YE	GY	PK	PH ²⁾

cable length¹⁾

Terminal ENC1, ENC2
HTL, SinCos

5 m [16.40']

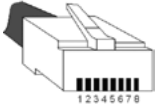

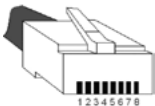

8.SMAS.C01.005M

- +V: encoder power supply +V DC
- 0 V: encoder power supply ground GND (0 V)
- A, \bar{A} : cosine signal, incremental signal A
- B, \bar{B} : sine signal, incremental signal B
- PH \perp : plug connector housing (shield)

1) Other cable lengths on request.
2) Shield on housing.

Connection technology

RJ45 connection technology **Cordsets, pre-assembled**

Ethernet patch cable with 2 x RJ45 connector		Working temp. -20°C ... +60°C [-4°F ... +140°F]	Order no.
Ethernet adapter cable Cable: PVC, orange category 6A acc. to EN 50173-1 6 x 2 x 0.14 mm ² [AWG 25], shielded twisted pairs Housing: ABS, metallized		suitable for our series: EMAA SMAS	
			
			
		<i>cable length</i> ¹⁾	
		Terminal ENC1, ENC2 0.25 m [0.82'] SinCos, SSI 0.5 m [1.64'] 1 m [3.28'] 2 m [6.56']	
			8.SMAS.C22.0M25 8.SMAS.C22.0M50 8.SMAS.C22.001M 8.SMAS.C22.002M
Ethernet patch cable Cable: PUR, grey/white 4 x 2 x 0.15 mm ² [AWG 25], shielded Housing: ABS, metallized		suitable for our series: SMBD.32E SMBU SMBS	
			
			
		<i>cable length</i> ¹⁾	
		Terminal Ethernet 2 m [6.56'] Parameterizing interface 5 m [16.40'] 10 m [32.81'] 15 m [49.21']	
			05.00.60A1.7272.002M 05.00.60A1.7272.005M 05.00.60A1.7272.010M 05.00.60A1.7272.015M

1) Other cable lengths on request.