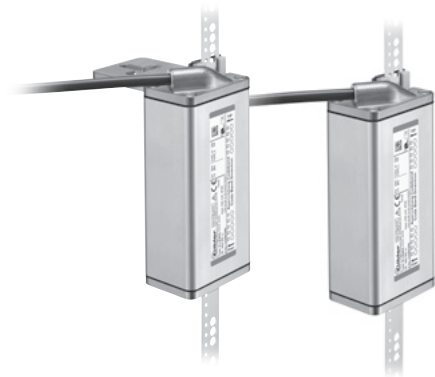


# Linear measuring technology

<b>Shaft copying system</b>	<b>Ants LEB02</b>	<b>Absolute position measurement Measuring range up to 392 m</b>
-----------------------------	-------------------	--



Ants LEB02 is an extremely robust, compact and contactless measuring system. It uses a contactless measuring principle to measure without any slipping absolute elevator car positions with a resolution of 1 mm and a travel speed of 8 m/s. Additional components such as magnetic switches become superfluous. Especially the easy assembly reduces installation time, thus contributing to overall costs reduction.



 392 m Wide measuring range	 1 mm Resolution	 Easy installation	 Compact	 Robust	 Shock / vibration resistant	 Reverse polarity protection	 -10...+70°C Temperature range
-----------------------------------	------------------------	-----------------------	-------------	------------	---------------------------------	---------------------------------	--------------------------------------

### Characteristics

- Absolute position values.
- Measuring length up to 392 m.
- Status LED.
- Extremely robust and compact.
- Stainless steel coded band.
- Simple mounting.
- Contactless measuring principle.

### Benefits

- Highest availability - no referencing required in case of power outage.
- 100 % slip-free – absolute position measurement directly at the elevator car.
- Suitable for tightest installation spaces.
- Reduced installation work.
- Elimination of additional components (magnetic sensors, reference sensors).
- Long service life thanks to its robust design.

<b>Order code Sensor</b>	<b>8.LEB02 . X1XX . XX11</b> Type
<b>a</b> Type of mounting 1 = with mounting plate 2 = without mounting plate <sup>1)</sup>	<b>c</b> Type of connection 1 = cable, 3 m [9.84'], open cable end 2 = cable, 3 m [9.84'], shielded, male connector 9-pin <sup>2)</sup> A = cable, special lengths, shielded, open cable end *) B = cable, special lengths, shielded, Sub-D male contacts, 9-pin *) <sup>2)</sup>
<b>b</b> Interface / power supply 2 = CANopen / 10 ... 30 V 3 = RS485 / 10 ... 30 V 4 = SSI / 10 ... 30 V	<b>d</b> Interface profile 22 = CANopen Lift, DS417 V2.2.8 31 = RS485, 9 Byte, 24 bit position data 41 = SSI, Gray, 25 bit
*) Available special lengths: 4 m, 5 m, 7 m, 10 m order code expansion .XXXX = length in dm ex.: 8.LEB02.112A.2211.0050 (for cable length 5 m)	

<b>Order code Coded band, absolute</b>	<b>8.LEX.BA . XXXX</b> Type
<b>a</b> Measuring lengths XXXX = lengths in meters (max. length = 392 m)	<b>Standard lengths</b> 0010 = 10 m    0040 = 40 m    0090 = 90 m 0015 = 15 m    0050 = 50 m    0100 = 100 m 0020 = 20 m    0060 = 60 m    0392 = 392 m 0025 = 25 m    0070 = 70 m    Intermediate lengths < 100 m as from 5 pieces, 0030 = 30 m    0080 = 80 m    > 100 m on request
<b>Stock types</b> 0010 = 10 m    0030 = 30 m 0015 = 15 m    0040 = 40 m 0020 = 20 m    0392 = 392 m 0025 = 25 m	

<b>Accessories</b>	Order no.
<b>Mounting kit LEB.MK</b>	<b>8.LEB.MK.0001</b>

1) T-slot mounting.

2) With interface RS485 (b = 3) on request.

## Shaft copying system

## Ants LEB02

## Absolute position measurement Measuring range up to 392 m

### Technical data

#### Mechanical characteristics sensor Ants LEB02

<b>Code</b>	absolute, 16 bit
<b>Max. measuring length</b>	392 m
<b>Speed</b>	8 m/s
<b>Resolution</b>	1 mm
<b>Accuracy</b>	± 1 mm
<b>Type of connection</b>	cable 3 m with open end further lengths up to max. 10 m on request
<b>Weight</b>	550 g [19.4 oz]
<b>Housing (material)</b>	aluminum
<b>Dimensions</b>	L x W x H 126 x 55 x 37 mm [4.96 x 2.17 x 1.46"]

#### Electrical characteristics sensor Ants LEB02

<b>Power supply</b>	10 ... 30 V DC
<b>Reverse polarity protection</b>	yes
<b>Power consumption</b>	max. 100 mA
<b>Interfaces</b>	CANopen Lift, RS485, SSI

#### Environmental conditions sensor Ants LEB02

<b>Protection acc. to EN 60529</b>	IP54
<b>Humidity</b>	< 90 % (non-condensing)
<b>Working temperature</b>	-10°C ... +70°C [+14°F ... +158°F]
<b>Storage temperature</b>	-20°C ... +80°C [-4°F ... +176°F]
<b>Air pressure (operating altitude)</b>	800 ... 1013 hPA (up to 2000 m above NN)

#### Technical data coded band

<b>Material</b>	V2A spring-loaded stainless steel, chamfered edges
<b>Dimensions</b>	16 x 0.4 mm [0.63 x 0.016"]
<b>Max. length</b>	392 m
<b>Weight</b>	50 g / m [1.76 oz/m]
<b>Thermal expansion</b>	$16 \times 10^{-6} / K$ between 20°C ... 100°C

#### Technical data mounting kit LEB.MK

<b>Dimensions</b>	see manual R60205
<b>Material</b>	see manual R60205

#### Standards / Directives / Certificates

<b>Standards</b>	standards for elevators	EN81-20 / -50
	EMC emission	EN12015
	EMC immunity	EN12016
	vibration resistance	EN60068-2-6
	shock resistance	EN60068-2-27
	environmental conditions	EN60068-2-14

<b>Directives</b>	EMC directive	2014/30/EU
	elevator directives	2014/33/EU
	RoHS directive	2011/65/EU

<b>CE compliant</b>	Yes
---------------------	-----

#### Interface characteristics CANopen Lift (standard factory setting)

<b>Bitrate</b>	250 kbit/s
<b>Identifier</b>	0x18C
<b>Node ID</b>	0x04
<b>Eventtimer</b>	10 ms
<b>Resolution</b>	1 mm
<b>Heartbeat</b>	500 ms
<b>Terminated</b>	yes

#### Interface characteristics RS485

<b>Baud rate</b>	19.200
<b>Number of data bits</b>	8 bit
<b>Number of Start bits</b>	1 bit
<b>Number of Stop bits</b>	1 bit
<b>Parity</b>	none
<b>Repetition</b>	150 Hz
<b>Number of bytes / transmission</b>	9 bytes
<b>Resolution position</b>	1 mm
<b>Resolution speed</b>	10 mm/s
<b>Position value</b>	24 bit, binary
<b>Speed value</b>	16 bit, two's complement

#### Interface characteristics SSI (standard factory setting)

<b>Data transfer</b>	in slave mode double data transmission
<b>Resolution</b>	0.25 mm
<b>Data length</b>	25 bit + 1 power failure bit (Low)
<b>MSB</b>	first
<b>Code</b>	gray
<b>Clock rate</b>	max. 200 kHz
<b>Monoflop time</b>	min. 500 µs

A position value must be read by the SSI master over 52 pulses.

1 ... 25:	MSB first absolute position in gray code
26:	Data low (PFB)
27 ... 51:	Second transmission (see 1-25)
52:	Data Low (PFB)

<b>Shaft copying system</b>	<b>Ants LEB02</b>	<b>Absolute position measurement</b> <b>Measuring range up to 392 m</b>
-----------------------------	-------------------	--

Elevator functions	Standard	Base Sensor
Referencing / correction trip	-	√
Top & bottom inspection limitation	EN 81-20	√
Direct drive-in – depending on complete drive module	-	√
Stopping point shift	-	√
Overspeed during inspection	EN 81-20	√

### Terminal assignment

Interface	Type of connection	Cable								
2 CANopen Lift (DS417)	1, A	Signal:	+V	0 V / GND	CAN_H	CAN_L	n.c.	n.c.		
		Core color:	BN	WH	GN	YE	GY	PK		

Interface	Type of connection	Cable with Sub-D, male connector 9-pin									
2 CANopen Lift (DS417)	2, B	Signal:	n.c.	CAN_L	0 V / GND	n.c.	shield	0 V / GND	CAN_H	n.c.	+V
		Pin:	1	2	3	4	5	6	7	8	9

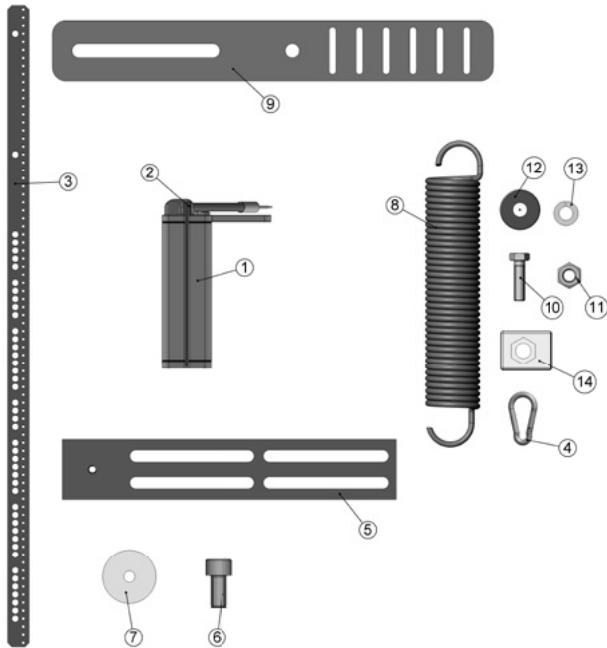
Interface	Type of connection	Cable								
3 RS485	1, A	Signal:	+V	0 V / GND	D+	D-	n.c.	n.c.		
		Core color:	BN	WH	GN	YE	GY	PK		

Interface	Type of connection	Cable								
4 SSI	1, A	Signal:	+V	0 V / GND	C+	C-	D+	D-		
		Core color:	BN	WH	GN	YE	GY	PK		

Interface	Type of connection	Cable with Sub-D, male connector 9-pin									
4 SSI	2, B	Signal:	n.c.	C+	shield	D+	0 V / GND	+V	C-	D-	n.c.
		Pin:	1	2	3	4	5	6	7	8	9

+V: Power supply +V DC	C+, C-: Clock signal	n.c. : Do not connect
0 V: Power supply ground GND (0 V)	D+, D-: Data signal	

### Scope of delivery Ants LEB02 with LEX.BA and LEB.MK



Proper operation requires the following components

#### Ants LEB02 (8.LEB02.xxxx.xxxx)

- 1 1 x sensor
- 2 2 x sliding plates, mounted

#### Coded band LEX.BA (8.LEX.BA.xxxx)

- 3 1 x stainless steel coded band

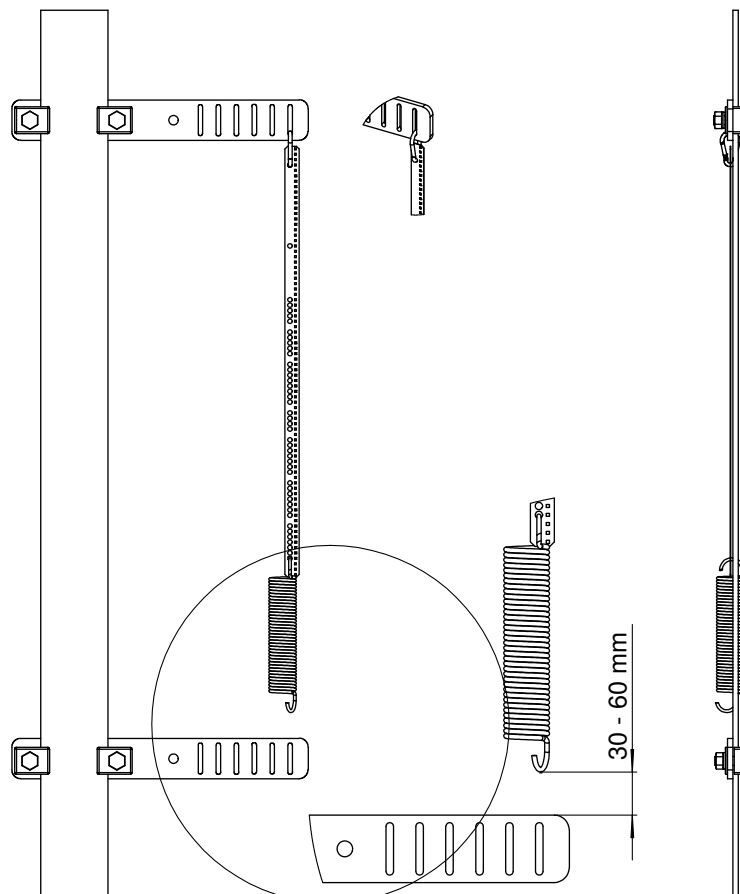
#### Mounting kit LEB.MK (8.LEB.MK.0001)

- 4 1 x stainless steel snap hooks
- 5 1 x sensor cabin fastening plate
- 6 1 x sensor fastening screw with Polyfleck coating
- 7 1 x washer
- 8 1 x spring
- 9 2 x rail fastening plates
- 10 4 x M10x30 hexagon head screws
- 11 4 x M10 hexagon nuts
- 12 8 x M10 large diameter washers
- 13 8 x M10 retaining rings
- 14 4 x clamping plates

### Technology in detail

#### Coded band fastening

Ants LEB02 stands out in particular for its ease of installation. This saves time and costs.



## Shaft copying system

## Ants LEB02

## Absolute position measurement Measuring range up to 392 m

### Dimensions

Dimensions in mm [inch]

### Sensor

