

Hour meters / timers, electromechanical

Timers with DIN dimensions

Small format (AC+DC)

HK 17



The hour meters HK 17 feature a very high shock resistance.

These panel-mount counters are available in many panel sizes. They can be used in many different fields of application. These non-resettable counters are extremely tamper-proof.

Characteristics

- 7 or 8-digit hour meter.
- Without reset.
- High shock resistance.
- Small dimensions.
- Magnified large figures.
- Protection IP65 on the front side.
- UL-approved.

Benefits

- Many different front panel sizes and cut-outs.
- Data retention in case of power failure.
- Long service life.

Applications

General time measurement, maintenance intervals for medical equipment (respiration units, oxygen, dialysis), small appliances, UV lamps, display panels in vehicles.

Order code

HK17 . XX1 . XX . 56¹⁾

a Front bezel

- 0 = without front bezel (through housing)
- 2 = small front bezel with clip
- 4 = front bezel with holes at the side

b Type of housing

- 5 = housing black with welded viewing window

c Color

- 1 = black

d Electrical connection

- 11 = flat pin 0.8 x 6.3 mm [0.031 x 0.25"] (en option)
- 39 = screw terminal (standard) with flat pin 0.8 x 6.3 mm [0.031 x 0.25"]

Suitable gaskets as well as further accessories can be found in the accessories section or in the accessories area of our website at: www.kuebler.com/accessories.

Technical data

| | | | | | | | | | | | | | | | | | |
|------------------------------|------------------------------------------------------------------------------------------------------------------------------------------------------------------------------------------------------------------------------------------------------------------------------------------------------------------------------------------------------------------------------------------------------------------------------------------------------------------------------------------------------------------------------------------------------------------|------------------|-----------------------------------------------------------------------|----------------|-----------------------------------------|------------------|----------------|-----------------------|----------------|-----------------------|-----------------|-------------------------|----------------|-------------------------|----------------|-------------------------|-----------------|
| Electrical connection | flat pins 0.8 x 6.3 mm [0.031 x 0.25"] with screw terminals (max. tightening torque 0.8 Nm) or flat pins 0.8 x 6.3 mm [0.031 x 0.25"] | | | | | | | | | | | | | | | | |
| Power consumption | <table border="0"> <tr> <td>10 ... 30 V DC</td> <td>approx. 500 mW</td> </tr> <tr> <td>36 ... 80 V DC</td> <td>approx. 900 mW</td> </tr> <tr> <td>100 ... 130 V DC</td> <td>approx. 750 mW</td> </tr> <tr> <td>20 ... 30 V AC, 50 Hz</td> <td>approx. 0.3 VA</td> </tr> <tr> <td>42 ... 48 V AC, 50 Hz</td> <td>approx. 0.25 VA</td> </tr> <tr> <td>100 ... 130 V AC, 50 Hz</td> <td>approx. 0.6 VA</td> </tr> <tr> <td>187 ... 264 V AC, 50 Hz</td> <td>approx. 1.2 VA</td> </tr> <tr> <td>360 ... 440 V AC, 50 Hz</td> <td>approx. 1.65 VA</td> </tr> </table> | 10 ... 30 V DC | approx. 500 mW | 36 ... 80 V DC | approx. 900 mW | 100 ... 130 V DC | approx. 750 mW | 20 ... 30 V AC, 50 Hz | approx. 0.3 VA | 42 ... 48 V AC, 50 Hz | approx. 0.25 VA | 100 ... 130 V AC, 50 Hz | approx. 0.6 VA | 187 ... 264 V AC, 50 Hz | approx. 1.2 VA | 360 ... 440 V AC, 50 Hz | approx. 1.65 VA |
| 10 ... 30 V DC | approx. 500 mW | | | | | | | | | | | | | | | | |
| 36 ... 80 V DC | approx. 900 mW | | | | | | | | | | | | | | | | |
| 100 ... 130 V DC | approx. 750 mW | | | | | | | | | | | | | | | | |
| 20 ... 30 V AC, 50 Hz | approx. 0.3 VA | | | | | | | | | | | | | | | | |
| 42 ... 48 V AC, 50 Hz | approx. 0.25 VA | | | | | | | | | | | | | | | | |
| 100 ... 130 V AC, 50 Hz | approx. 0.6 VA | | | | | | | | | | | | | | | | |
| 187 ... 264 V AC, 50 Hz | approx. 1.2 VA | | | | | | | | | | | | | | | | |
| 360 ... 440 V AC, 50 Hz | approx. 1.65 VA | | | | | | | | | | | | | | | | |
| Rated voltages | <table border="0"> <tr> <td>AC (50 or 60 Hz)</td> <td>20 ... 30 V, 42 ... 48 V, 100 ... 130 V, 187 ... 264 V, 360 ... 440 V</td> </tr> <tr> <td>DC</td> <td>10 ... 30 V, 36 ... 80 V, 100 ... 130 V</td> </tr> </table> | AC (50 or 60 Hz) | 20 ... 30 V, 42 ... 48 V, 100 ... 130 V, 187 ... 264 V, 360 ... 440 V | DC | 10 ... 30 V, 36 ... 80 V, 100 ... 130 V | | | | | | | | | | | | |
| AC (50 or 60 Hz) | 20 ... 30 V, 42 ... 48 V, 100 ... 130 V, 187 ... 264 V, 360 ... 440 V | | | | | | | | | | | | | | | | |
| DC | 10 ... 30 V, 36 ... 80 V, 100 ... 130 V | | | | | | | | | | | | | | | | |
| Number of digits | <table border="0"> <tr> <td>7 at AC</td> <td>99999.99 h</td> </tr> <tr> <td>8 at DC</td> <td>999999.99 h</td> </tr> </table> | 7 at AC | 99999.99 h | 8 at DC | 999999.99 h | | | | | | | | | | | | |
| 7 at AC | 99999.99 h | | | | | | | | | | | | | | | | |
| 8 at DC | 999999.99 h | | | | | | | | | | | | | | | | |
| Accuracy | <table border="0"> <tr> <td>AC</td> <td>supply frequency + 30 ms</td> </tr> <tr> <td>DC</td> <td><0.003 % (at 24 h)</td> </tr> </table> | AC | supply frequency + 30 ms | DC | <0.003 % (at 24 h) | | | | | | | | | | | | |
| AC | supply frequency + 30 ms | | | | | | | | | | | | | | | | |
| DC | <0.003 % (at 24 h) | | | | | | | | | | | | | | | | |

| | | | | | |
|------------------------------|-----------------------------------------------------------------------------------------------------------------------------------------------------------------------------|------------------------------|-----------------|------------------|------------------------|
| Height of figures | 3.8 x 1.7 mm [0.15 x 0.067"] optical | | | | |
| Color of figures | white and red on black | | | | |
| Operating temperature | -15°C ... +50°C [+5°F ... +122°F] (non-condensing) | | | | |
| Storage temperature | -40°C ... +85°C [-40°F ... +185°F] | | | | |
| Mounting position | any | | | | |
| Protection | IP65 (front side) | | | | |
| EMC standards | EN 55011 class B EN 61000-6-2, EN 61000-6-3 | | | | |
| Device safety | <table border="0"> <tr> <td>designed to protection class</td> <td>EN 61010 part 1</td> </tr> <tr> <td>application area</td> <td>2 pollution level 2</td> </tr> </table> | designed to protection class | EN 61010 part 1 | application area | 2 pollution level 2 |
| designed to protection class | EN 61010 part 1 | | | | |
| application area | 2 pollution level 2 | | | | |
| UL approval | file E128604 ²⁾ | | | | |
| Housing | plastic PC (Polycarbonate) types with protection IP65 are sealed | | | | |
| Weight | approx. 40 g [1.41 oz] | | | | |

Options

Counter with flat pin 0.8 x 6.3 mm [0.031 x 0.25"] Art. no. 3.138.X51.XXX

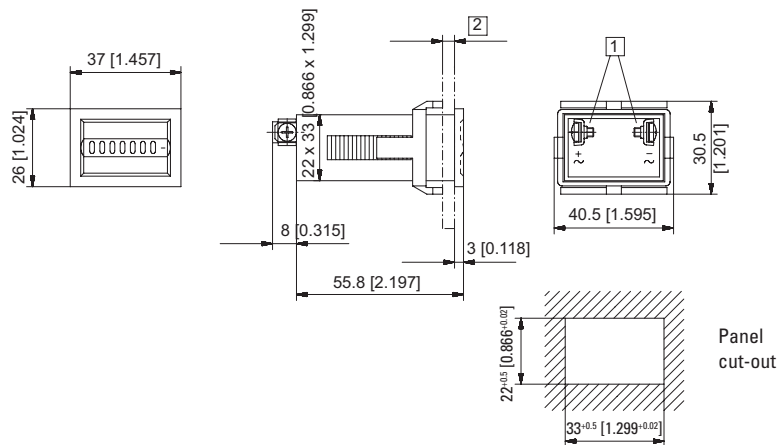
1) 56 for front bezel 36 x 24 mm [1.42 x 0.94"]

2) The version 360 ... 440 V AC is not UL listed

Hour meters / timers, electromechanical

Timers with DIN dimensions **Small format (AC+DC)** **HK 17**

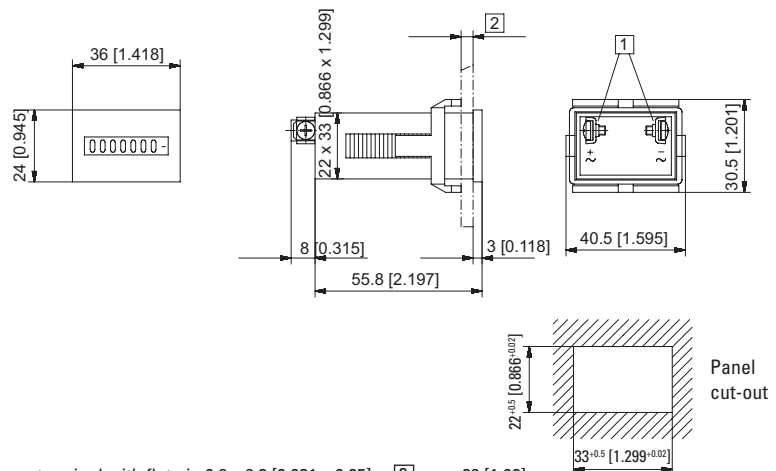
Panel mount with mounting clip
Type HK 17.251.39



1) Screw terminal with flat pin 0.8 x 6.3 [0.031 x 0.25] 2) max. 26 [1.02]

| Type | Display | Voltage | Art. no. | | | | | | |
|--------------|----------|------------|-----------------------------|---------------|---------------|---------------|---------------|-----------------------------|---------------|
| | | | 10 ... 30 V | 20 ... 30 V | 36 ... 80 V | 42 ... 48 V | 100 ... 130 V | 187 ... 264 V | 360 ... 440 V |
| HK 17.251.39 | 7 digits | AC (50 Hz) | | 3.130.251.071 | | 3.130.251.072 | 3.130.251.074 | 3.130.251.075 ¹⁾ | 3.130.251.079 |
| | 7 digits | AC (60 Hz) | | 3.130.251.081 | | 3.130.251.082 | 3.130.251.084 | 3.130.251.085 | 3.130.251.089 |
| | 8 digits | DC | 3.130.251.351 ¹⁾ | | 3.130.251.353 | | 3.130.251.381 | | |

Panel mount with mounting clips
Type HK 17.251.39.56



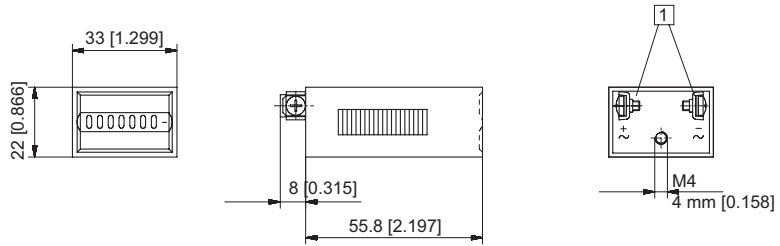
1) Screw terminal with flat pin 0.8 x 6.3 [0.031 x 0.25] 2) max. 26 [1.02]

| Type | Display | Voltage | Art. no. | | | | | | |
|-----------------|----------|------------|---------------------------------|-------------------|-------------------|-------------------|-------------------|---------------------------------|-------------------|
| | | | 10 ... 30 V | 20 ... 30 V | 36 ... 80 V | 42 ... 48 V | 100 ... 130 V | 187 ... 264 V | 360 ... 440 V |
| HK 17.251.39.56 | 7 digits | AC (50 Hz) | | 3.130.251.071.056 | | 3.130.251.072.056 | 3.130.251.074.056 | 3.130.251.075.056 ¹⁾ | 3.130.251.079.056 |
| | 7 digits | AC (60 Hz) | | 3.130.251.081.056 | | 3.130.251.082.056 | 3.130.251.084.056 | 3.130.251.085.056 | 3.130.251.089.056 |
| | 8 digits | DC | 3.130.251.351.056 ¹⁾ | | 3.130.251.353.056 | | 3.130.251.381.056 | | |

Hour meters / timers, electromechanical

Timers with DIN dimensions **Small format (AC+DC)** **HK 17**

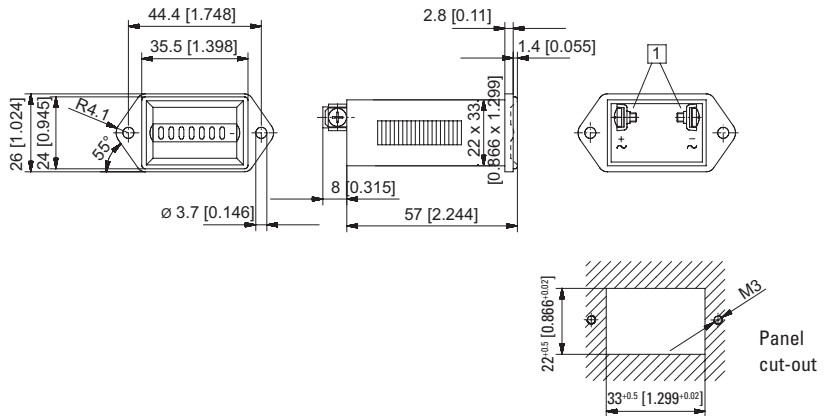
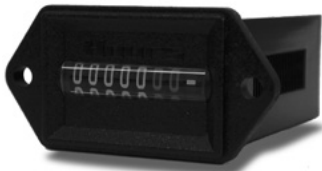
Base mount with central fixing on rear
 Type HK 17.051.39



1) Screw terminal with flat pin 0.8 x 6.3 [0.031 x 0.25]

| Type | Display | Voltage | Art. no. | | | | | | |
|--------------|----------|------------|---------------|---------------|---------------|---------------|---------------|---------------|---------------|
| | | | 10 ... 30 V | 20 ... 30 V | 36 ... 80 V | 42 ... 48 V | 100 ... 130 V | 187 ... 264 V | 360 ... 440 V |
| HK 17.051.39 | 7 digits | AC (50 Hz) | | 3.130.051.071 | | 3.130.051.072 | 3.130.051.074 | 3.130.051.075 | 3.130.051.079 |
| | 7 digits | AC (60 Hz) | | 3.130.051.081 | | 3.130.051.082 | 3.130.051.084 | 3.130.051.085 | 3.130.051.089 |
| | 8 digits | DC | 3.130.051.351 | | 3.130.051.353 | | 3.130.051.381 | | |

Panel mount with 2 holes at the side
 Type HK 17.451.39



1) Screw terminal with flat pin 0.8 x 6.3 [0.031 x 0.25]

| Type | Display | Voltage | Art. no. | | | | | | |
|--------------|----------|------------|---------------|---------------|---------------|---------------|---------------|-----------------------------|---------------|
| | | | 10 ... 30 V | 20 ... 30 V | 36 ... 80 V | 42 ... 48 V | 100 ... 130 V | 187 ... 264 V | 360 ... 440 V |
| HK 17.451.39 | 7 digits | AC (50 Hz) | | 3.130.451.071 | | 3.130.451.072 | 3.130.451.074 | 3.130.451.075 ¹⁾ | 3.130.451.079 |
| | 7 digits | AC (60 Hz) | | 3.130.451.081 | | 3.130.451.082 | 3.130.451.084 | 3.130.451.085 | 3.130.451.089 |
| | 8 digits | DC | 3.130.451.351 | | 3.130.451.353 | | 3.130.451.381 | | |