

Preset counters, electronic

LED position preset counters

SSI o. incremental inputs / 4 switch outputs + analog output

575



Counter series for demanding applications with two individually scalable encoder inputs, each SSI master / SSI slave or A, /A, B, /B, for count frequencies up to 1 MHz per channel.

Programmable operating modes include position or event counter, totalizer, difference counter.



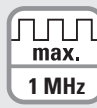
Power supply



DIN front bezel



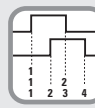
High protection level



2 inputs



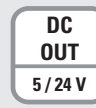
SSI input



TTL, HTL and RS422 input



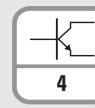
LED display



2 x sensor power supply



Analog output optional



Transistor output



Interface

Innovative

- 3 display values: counter 1, 2 as well as calculation-based display.
- 2 separate freely scalable count inputs: SSI master, SSI slave or TTL incremental (also with inverted inputs) max. input frequency 1 MHz/channel.
- Very bright LED display, 15 mm (6-digit) and 10 mm (8-digit) high.
- 4 freely programmable fast solid-state outputs, each with 350 mA output current.
- Step or tracking presets.
- Simple programming – with function codes, dependent on the operating mode selected.
- With 8 different fixed count functions, such as simple count, difference count and total count of both inputs, separate display of the inputs.

Compact and multifunctional

- One device caters for AC and DC power supplies.
- Simple programming with 4 keys and programmable dual functions.
- Can be used as counter or position display with limit values, where 2 values are monitored or calculated with respect to each other.
- 4 fast, programmable inputs with various functions, such as reset, gate, display memory (store), reference input or switching between the display values.
- Scalable analog output 0/4 ... 20 mA, ± 10 V or 0 ... 10 V.
- RS232 interface as standard, for parameter setting, readout of values or for modifications during operation.
- 2 auxiliary power supplies for sensors: 5.2 V DC and 24 V DC.

Order specifications

4 fast switch outputs and serial interface (RS232)

- 6 digits
- 6 digits, scalable analog outputs
- 8 digits
- 8 digits, scalable analog outputs

Order no.

- 6.575.0116.D05**
- 6.575.0116.D95**
- 6.575.0118.D05**
- 6.575.0118.D95**

Delivery specification

- Controller 575
- Gasket
- Fastening set
- Instruction manual German/English

Accessories

Mounting frame

with cut-out 92 x 45 [3.62 x 1.77]



Dimensions in mm [inch]

for snap-on mounting on 35 [1.38] top-hat DIN rail,
for counters 96 x 48 [3.78 x 1.89]

grey

Order No.

G300005

OS6.0 software for parameter setting

can be downloaded at www.kuebler.com

Suitable gaskets as well as further accessories can be found in the accessories section or in the accessories area of our website at: www.kuebler.com/accessories.

Preset counters, electronic

LED position preset counters **SSI o. incremental inputs / 4 switch outputs + analog output** **575**

Technical data

General technical data		
Display	6 digits	LED display, 15 mm [0.59"] high
	8 digits	LED display, 10 mm [0.39"] high
Operating temperature	0°C ... +45°C [+32°F ... +113°F] (non-condensing)	
Storage temperature	-25°C ... +70°C [-13°F ... +158°F]	

Electrical characteristics		
Power supply	24 V AC, + 10 % 24 (17 ... 30) V DC	
Current consumption DC	100 mA + current consumption encoder	
Connected load AC	15 VA	
Auxiliary power supply output for sensors	2 x 5.2 V DC, each 150 mA 2 x 24 V DC, each 120 mA	
EMC standards	EN 55011 class B, EN 61000-6-2, EN 61000-6-3, EN 61326-3-2	
Device safety	designed to protection class 2 application area	EN 61010 part 1 2 pollution level 2

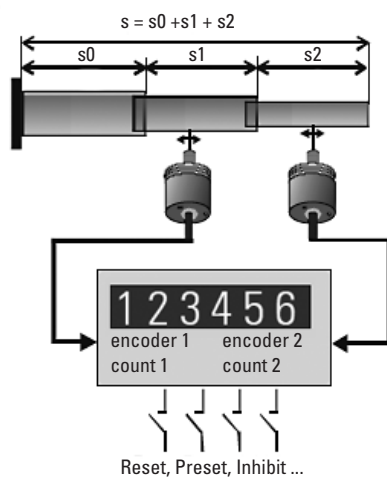
Mechanical characteristics		
Housing	Noryl UL94-V-0	
Screw terminal	cable cross-section	max. 1.5 mm ² [AWG 25]
Protection	IP65 (front side)	
Weight	approx. 250 g [8.82 oz]	

Inputs		
Universal SSI incremental encoder inputs		
Number	2 SSI or 1 SSI + 1 incremental	
Count frequency (per encoder)	RS422 and TTL with Inv. 1 MHz	
	SSI master	1 MHz (max. 32 bit)
	SSI slave	1 MHz (max. 32 bit)
Control inputs HTL		
Number	4	
Input resistor	3.3 kOhm	
Switching level	LOW	< 2.5 V
	HIGH	> 10 V
Min. pulse duration	50 µs	

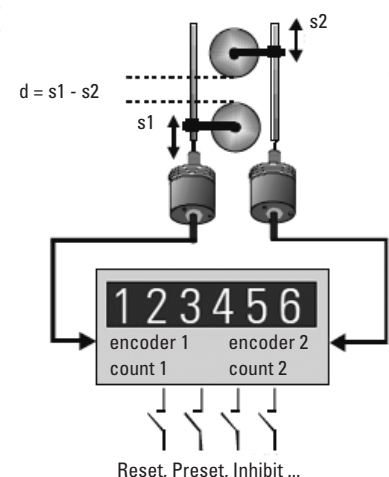
Outputs		
Switch outputs		
4 fast power transistors	5 ... 30 V DC, 350 mA	
Reaction time	< 1ms ¹⁾	
Inductive loads require a freewheeling diode		
Serial interface	RS232, 2400 ... 38400 Baud	
Analog outputs		
Current	0 / 4 ... 20 mA	
Load	max. 270 Ohm	
Voltage	0 ... +10 V (max. 3 mA)	
Resolution	14 bit	
Precision	0.1 %	
Reaction time	< 1 m	

Application examples

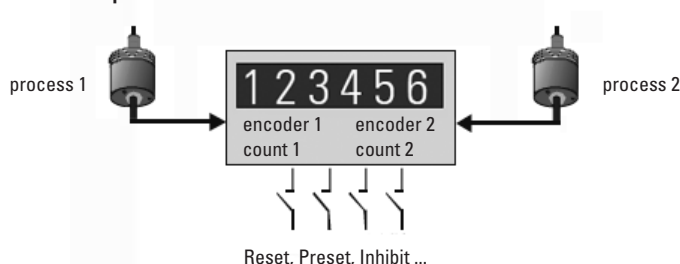
Total position display



Difference position display

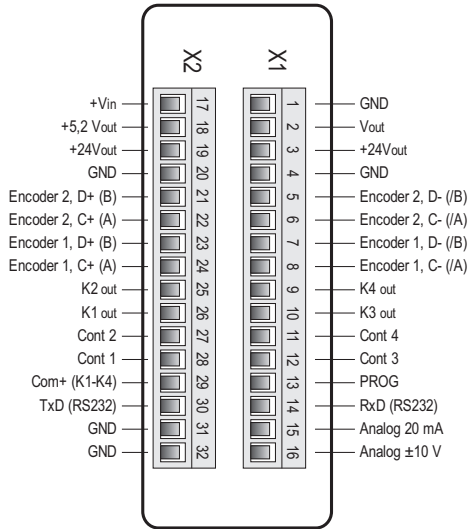


Independent individual operation



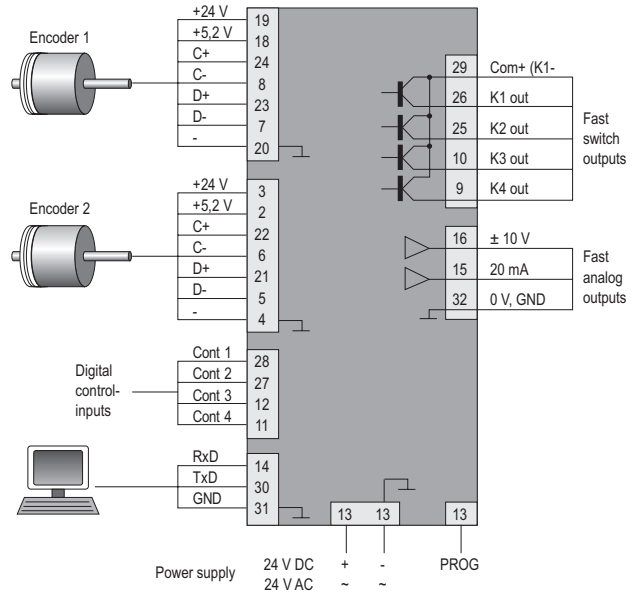
1) Intensive serial communication can temporarily prolong the reaction time

Terminal assignment



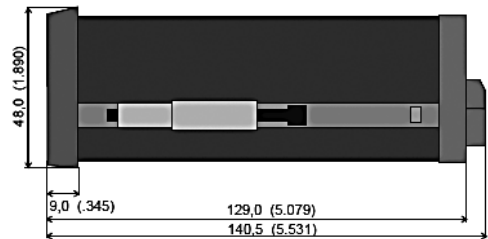
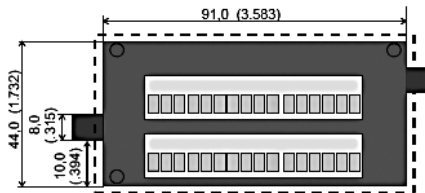
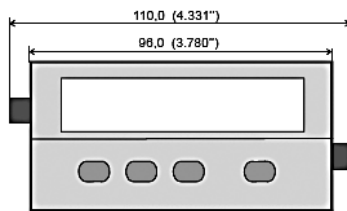
Connection examples

Example shows encoder with 5 V-supply and TTL / RS422-output



Dimensions

Dimensions in mm [inch]



Panel cut-out 92 x 45 mm [3.62 x 1.77]