

Process controllers

LCD touch process controllers **2 standard signal inputs + analog and switching outputs** **573T**



The process controller with 2 analog inputs can be used in both single channel mode as well as in dual channel. In dual channel mode, all arithmetic operations are available for displaying the sum total, difference, ratio or the product. Inputs and outputs can be scaled separately.

Can be used as a simple process signal converter, process controller (ON/OFF controller) or for complex measuring tasks, where the relationship between two values, one to the other, must be monitored, calculated or further processed in a higher-level controller.

AC 115... 230V Power supply	DC 18... 30 V 2 inputs	mA, V 2 inputs	4 4 switching outputs	2 Relay output	mA, V Analog output	16 bit Resolution analog output	RS 232 / RS485 interface	IP65 High protection level	Tara Tare function	DIN 96 x 48 DIN front bezel
8 LCDs LCD touch display	Prog Menu-driven programming	Touch Touch display	Gloves Operation with gloves							

Innovative

- 2 separate freely scalable analog inputs ± 10 V and 0/4 ... 20 mA, resolution 16 bit.
- Tare function – the unit can be set to 0 for any input voltage.
- Programmable linearization: with up to 24 control points, input via key-pad or via the teach-in function.
- Averaging measurement over 2 to 16 measuring cycles, for use with serious fluctuations of the input signals.
- Easy to programme - the desired display value is simply keyed-in for a specific input signal.
- Fast 1 ms sampling rate per channel alternating.
- Serial interface RS232 or RS485 for reading data in and out.

Compact and multifunctional

- Up to 3 display values in one device, display 1, display 2 + display calculated based on 1 and 2.
- AC and DC power supply in one device.
- Simple menu-driven programming via touch display, as well as tare or teach-in key.
- Can be used as a simple process signal converter, process controller (ON/OFF controller) or for complex measuring tasks where the relationship between two values, one to the other, must be monitored, calculated or further processed in a higher-level controller.
- Mathematical operation of the measured values of inputs 1 and 2. The result can also if required be multiplied, divided or added to an offset value, in order to obtain the desired display value.
- Analog output 0/4 ... 20 mA or ± 10 V.
- 4 fast PNP switching outputs (reaction time < 1 ms), with switching hysteresis, step or tracking preset.
- Programmable display refresh time.

Order code **6.573T . 01X . X0X**

a Relay outputs
0 = 2 relay outputs
2 = without output

b Power supply
3 = 18 ... 30 V DC
E = 18 ... 30 V DC + 115 ... 230 V AC

c Further options
0 = none

d Electrical outputs
0 = none
1 = RS232, 4 switching outputs
2 = RS232, 4 switching outputs, analog output
3 = RS485, 4 switching outputs

Delivery specification
· Display 573T
· Gasket
· Mounting kit
· Manual German/English

Stock types
6.573T.012.301
6.573T.012.302
6.573T.010.302
6.573T.010.E02

Process controllers

LCD touch process controllers	2 standard signal inputs + analog and switching outputs	573T
--------------------------------------	--	-------------

Accessories		Order no.
Mounting frame with cut-out 92 x 45 [3.62 x 1.77]	for snap-on mounting on 35 [1.38] top-hat DIN rail, for counters 96 x 48 [3.74 x 1.89]	grey G300005
OS6.0 software for parameter setting	can be downloaded at www.kuebler.com	

Suitable gaskets as well as further accessories can be found in the accessories section or in the accessories area of our website at: www.kuebler.com/accessories.

Technical data

General technical data	
Display	LCD touch display, 13 mm high 8 decades + sign
Operating temperature	-20°C ... +60°C [-4°F ... +140°F] (non-condensing)
Storage temperature	-25°C ... +70°C [-13°F ... +158°F]
Altitude	up to 2000 m [6562']

Electrical characteristics	
Power supply	18 ... 30 V DC, with reverse polarity protection (rated voltage 24 V DC) 115 ... 230 V AC, 50/60 Hz (option)
Current consumption DC	100 mA, without load
Power consumption AC	approx. 3 VA, without load
Auxiliary power supply (for encoder)	
AC supply	24 V DC ±15 %, 150 mA (up to +45°C) 80 mA (from +46°C)
DC supply	U _B - 1 V, 250 mA
Reference output	
output voltage	10 V DC
accuracy	±0,1 %
load	max. 10 mA / ≥ 1 kOhm
EMC standards	EN 61000-6-2, EN 61000-6-3, EN 61000-6-4, EN 61326-3-2
Device safety	
designed to	EN 61010 part 1
protection class	2
application area	pollution level 2

Mechanical characteristics	
Housing	ABS UL94-V-0
Weight	approx. 200 g
Protection	IP65 (front side) IP20 (rear side)
Terminals	max. 1.5 mm ²

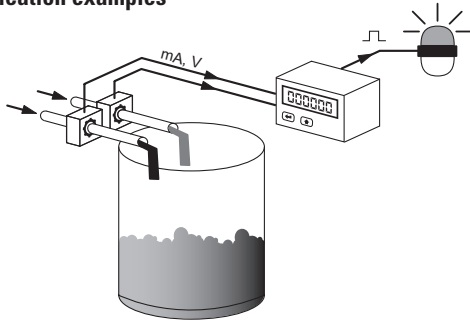
Inputs	
2 analog inputs	0 ... 20 mA, 4 ... 20 mA -10 ... +10 V
input resistance current	R _i = 120 Ohm
input resistance voltage	R _i = 50 kOhm
measuring time per channel	min. 1 ms (programmable)
resolution	16 bit (15 bit + sign)
accuracy	±0.1 % ±1 digit
3 control inputs (Cnt 1 - 3)	PNP
input frequency	max. 10 kHz
input level	HTL: Low 0 ... 3 V / High 9 ... 30 V
load	max. 2 mA / R _i > 15 kΩ / 470 pF

Outputs (option)	
4 switching outputs	5 ... 30 V DC/200 mA (PNP)
reaction time	< 1 ms
Interface	RS232 or RS485 Drivecom Protokoll / Modbus / Printer 9600 ... 38400 Baud
Analog output	-10 ... +10 V (max. 2 mA) or 0 ... 20 mA, 4 ... 20 mA (max. 270 Ω)
resolution	16 bit (15 bit + sign)
accuracy	±0.1 %
reaction time	< 1 ms
Relay output	2 changeover contacts (potential free) max. 250 V AC / 3 A / 750 VA max. 150 V DC / 2 A / 50 W
reaction time	< 20 ms

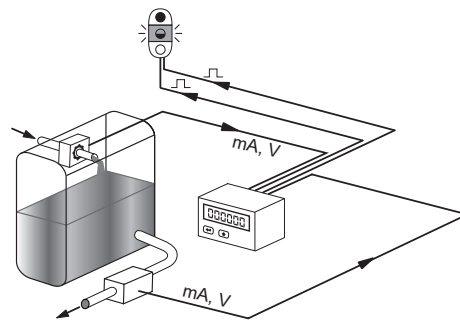
Process controllers

LCD touch process controllers **2 standard signal inputs + analog and switching outputs** **573T**

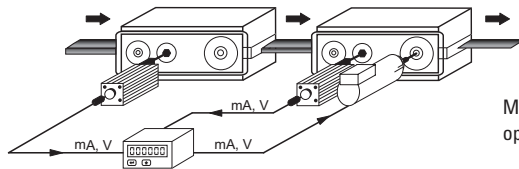
Application examples



Monitoring of mixing ratios and display of flow rate



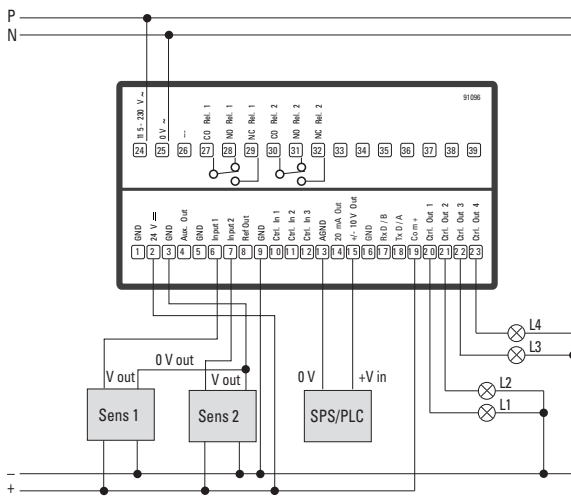
Level monitoring and adjustment, display of inflow and outflow



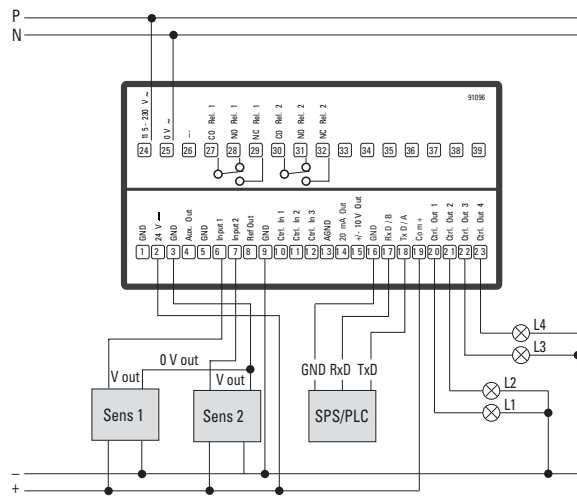
Material stretching, as well as monitoring of synchronous operation, with display of individual speeds

Connection example

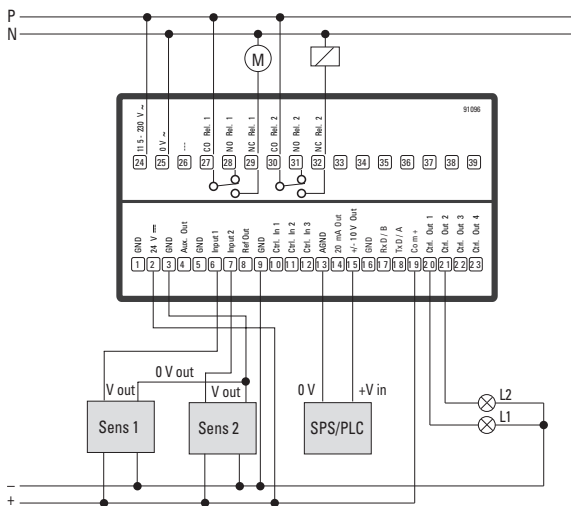
Analog input, analog output, switching outputs



Analog input, switching outputs, interface RS232

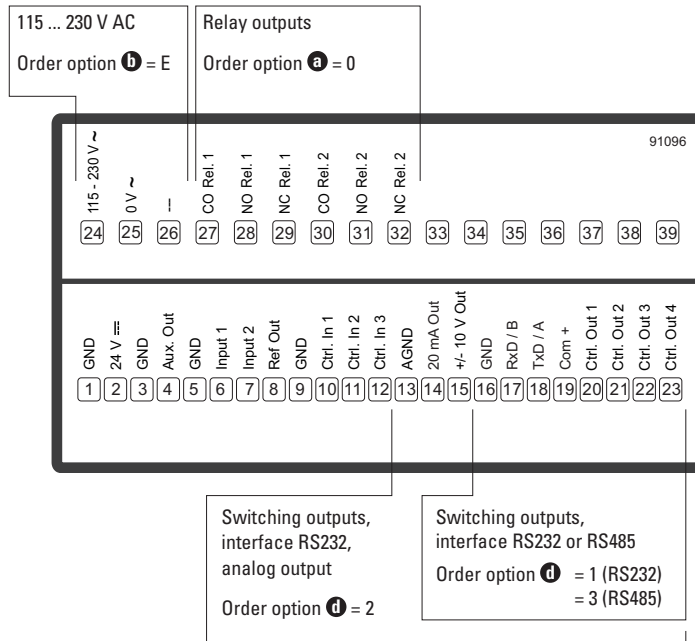


Analog input, analog output, load output (relay), switching outputs



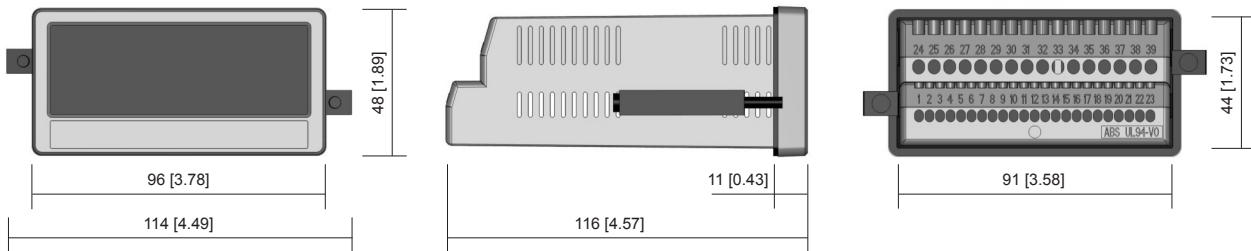
LCD touch process controllers **2 standard signal inputs + analog and switching outputs** **573T**

Terminal assignment



Dimensions

Dimensions in mm [inch]



Panel cut-out
92 x 45 mm [3.62 x 1.77"]