

## Plunger switch 144

The plunger-operated switches from elobau are extremely robust. The robustness is ensured by the high leak tightness in accordance with IP67, together with a high level of temperature stability and vibration resistance. The robust design and availability of different versions make them extremely versatile in use. Depending on the version, they can be used to detect the positions of shafts or pistons in different applications.

Typical applications are gearboxes, drive and conveyor components or the sensing of end positions in industrial applications.

### Product characteristics

- Extreme operating temperature range from -25 °C to +130 °C
- IP67 protection class
- Various materials and designs available
- Variants with cable output as well as various connectors
- Different options for switching paths (4-12mm)
- Can be modified according to requirements

### Technical drawing

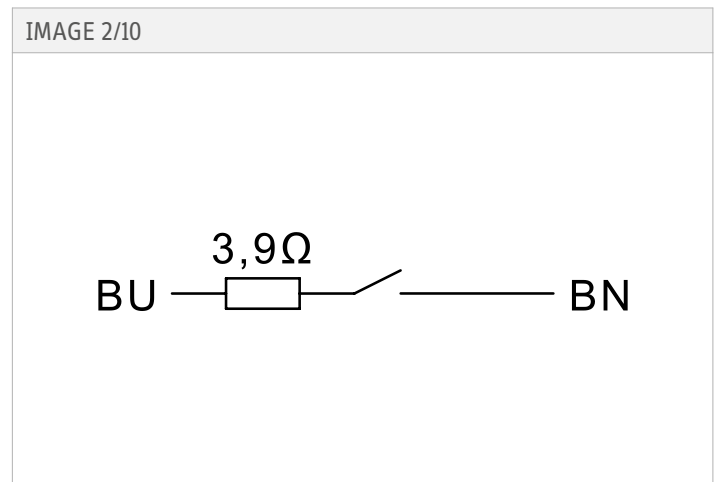
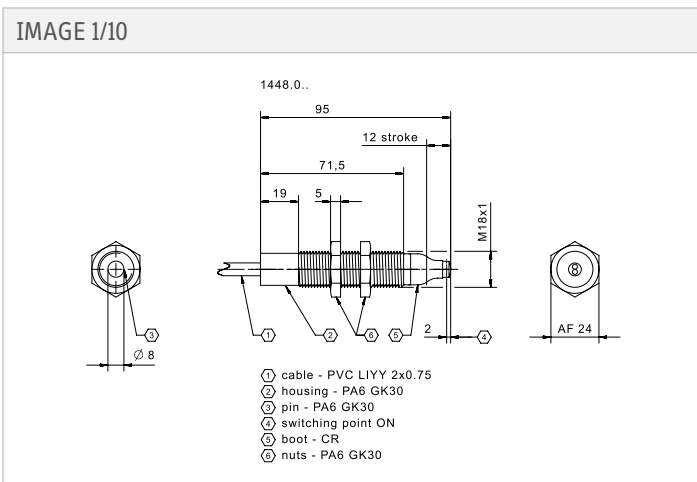


IMAGE 3/10

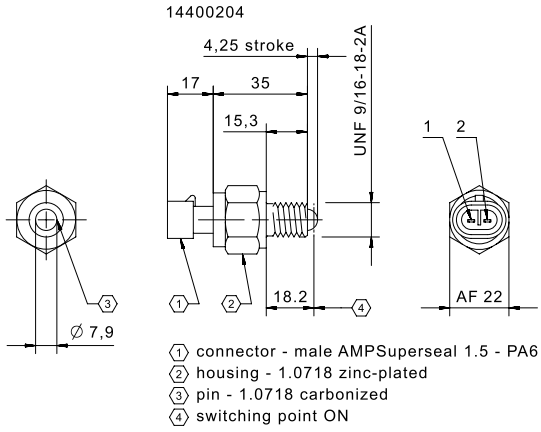


IMAGE 4/10

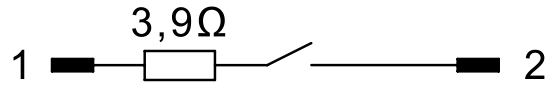


IMAGE 5/10

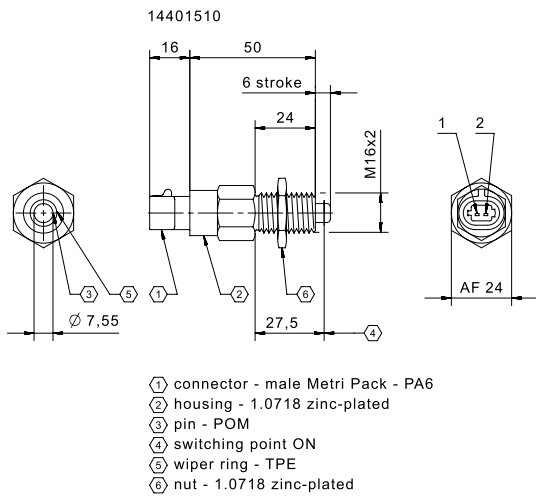


IMAGE 6/10

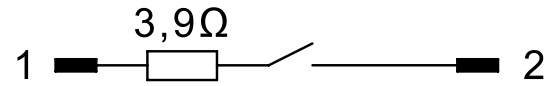


IMAGE 7/10

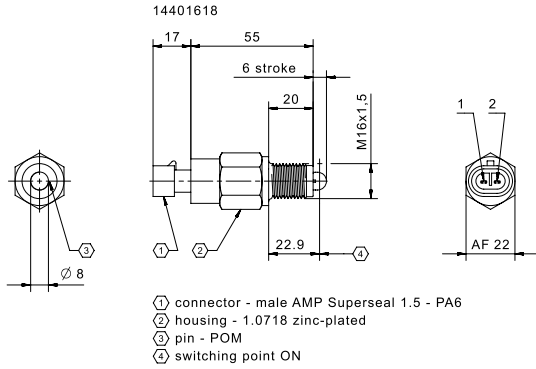


IMAGE 8/10

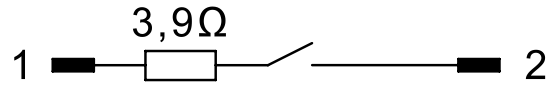


IMAGE 9/10

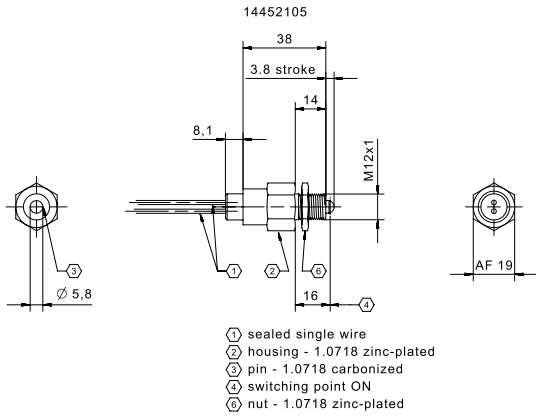
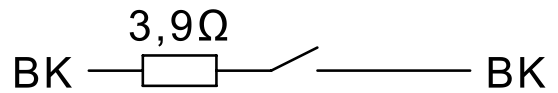


IMAGE 10/10



## Electrical data

Attribute	14400204	14401510	14401618	14452105	144810	144820
Max. switching voltage	48 V DC					
Max. switching voltage	48 V AC					
Max. switching current	0.3 A			0.5 A		
Contact form	NO					NC
Technology	Reed					
Max. switching power	0.34 W				10 W	
Actuation	front					
Switching principle	magnetic					
Series resistor	3.9 Ohm				-	

## Mechanical data

Attribute	14400204	14401510	14401618	14452105	144810	144820
Dimensions	L=56,25mm / SW22	L=66mm / SW19	L=78mm / SW22	L=50mm / SW19	L=95mm / SW24	
Stroke	4.3 mm	6 mm		4 mm	12 mm	

## Material information

Attribute	14400204	14401510	14401618	14452105	144810	144820
Housing material	1.0718 Fe/Zn10/B	1.0718 Fe/Zn8/Cn/T2			PA6GK30	
Nut material	-	1.0718 Fe/Zn8/Cn/T2	-	1.0718 Fe/Zn8/Cn/T2	PA6GK30	
Cable material	-			PVC		

## Environmental conditions

Attribute	14400204	14401510	14401618	14452105	144810	144820
Protection class	IP67 DIN EN 60529					
Operating temperature min.	-25 °C	-30 °C		-25 °C		
Max. operating temperature	130 °C	100 °C	120 °C	85 °C	75 °C	
Min. cable temperature range, moving	-				-5 °C	
Max. cable temperature range, moving	-				70 °C	
Min. cable temperature range, fixed installation	-				-25 °C	
Max. cable temperature range, fixed installation	-				70 °C	
Min. storage temperature	-25 °C	-30 °C		-25 °C		
Max. storage temperature	130 °C	100 °C	120 °C	85 °C	75 °C	

## Installation

Attribute	14400204	14401510	14401618	14452105	144810	144820
Mounting type	Thread					
Thread	9/16-18-2A UNF	M16x2	M16x1,5	M12x1	M18x1	

## Connection

Attribute	14400204	14401510	14401618	14452105	144810	144820
Connector type	AMP Superseal 2-pol.	Metri-Pack	AMP Superseal 2-pol.	-		
Cable length	-			0.5 m	1 m	