

## Slot sensor 1409

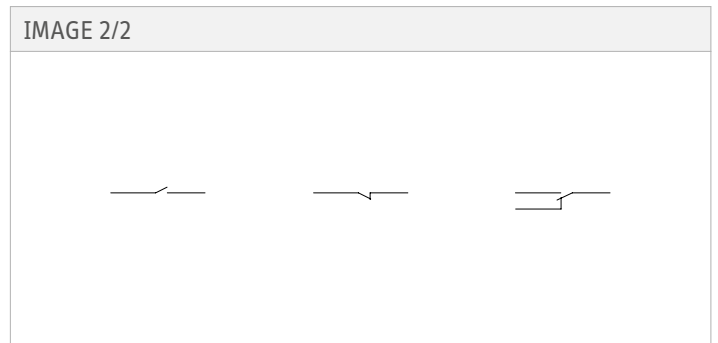
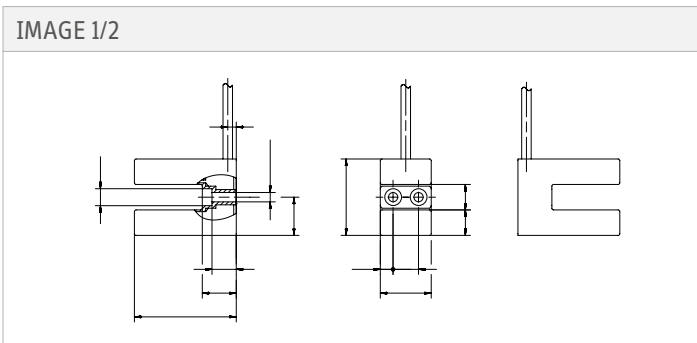
Vane switches are actuated by ferromagnetic metal plates at the gap of the U shaped housing, so no additional actuating magnet is required. Can also be mounted directly onto metal.

Different variants are available, allowing the switch to be used in a variety of applications, e.g. challenging off-highway tasks or position sensing in plant and mechanical engineering.

### Product characteristics

- No additional actuating magnet necessary
- IP67 protection class
- PA housing
- 60 x 45 x 30 mm
- PVC cable

### Technical drawing



## Electrical data

Attribute	140910	140920	140930
Max. switching voltage	250 V DC		48 V DC
Max. switching voltage	250 V AC		48 V AC
Max. switching current	0.5 A		1 A
Max. switching power	50 W		20 W
Contact form	NO	NC	CO
Technology	Reed		
Switching principle	magnetic		

## Properties

Attribute	140910	140920	140930
Housing colour	schwarz		

## Mechanical data

Attribute	140910	140920	140930
Dimensions	60x45x30		

## Materialinformationen

Attribute	140910	140920	140930
Housing material	PA6		
Cable material	PVC		

## Environmental conditions

Attribute	140910	140920	140930
Protection class	IP67 DIN EN 60529		
Operating temperature min.	-25 °C		
Max. operating temperature	75 °C		
Min. storage temperature	-25 °C		
Max. storage temperature	75 °C		
Min. cable temperature range, moving	-5 °C		-15 °C
Max. cable temperature range, moving	70 °C		80 °C
Min. cable temperature range, fixed installation	-25 °C		-40 °C
Max. cable temperature range, fixed installation	70 °C		80 °C

## Installation

Attribute	140910	140920	140930
Mounting type	screwed		

## Connection

Attribute	140910	140920	140930
Cable length	1 m		