

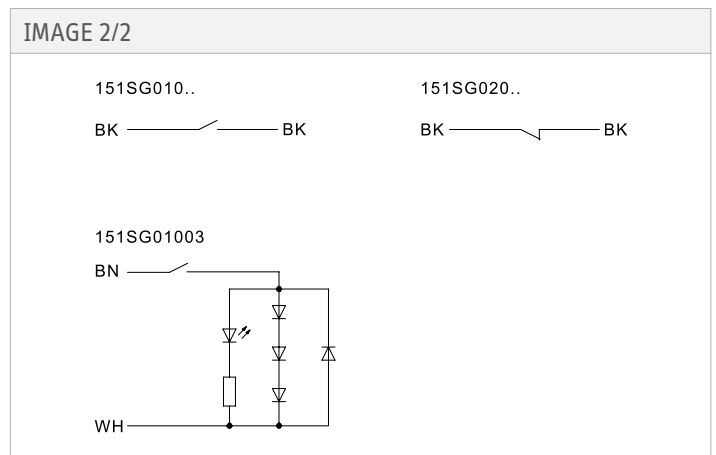
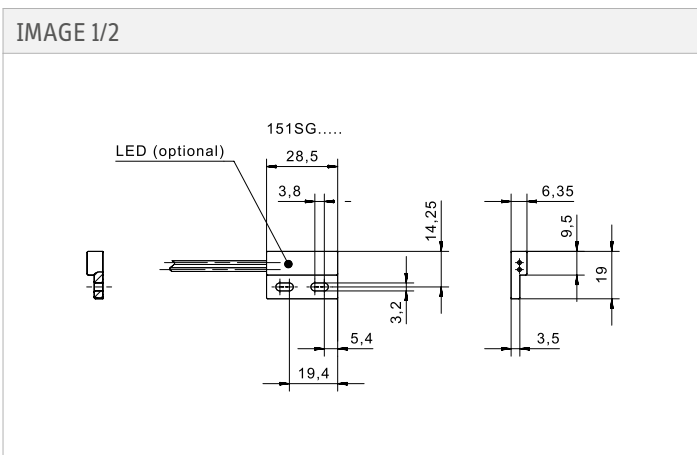


## Magnetic sensor 151SG0

### Product characteristics

- Magnetic sensor on reed-contact basis
- Extremely flat housing with cable outlet for fast and flexible installation
- LED for simple visual status display
- PEI housing
- 28.5 x 19 x 6.35 mm
- PVC cable

### Technical drawing



## Electrical data

| Attribute              | 151SG010  | 151SG01003-1 | 151SG020 | 151SG030 |
|------------------------|-----------|--------------|----------|----------|
| Max. switching voltage | 48 V DC   | 24 V DC      | 48 V DC  |          |
| Max. switching voltage | 48 V AC   | 24 V AC      | 48 V AC  |          |
| Max. switching current | 0.5 A     | 0.2 A        | 0.3 A    |          |
| Max. switching power   | 10 W      |              | 3 W      |          |
| Contact form           | NO        |              | NC       | CO       |
| Technology             | Reed      |              |          |          |
| LED display            | No        | Yes          | No       |          |
| Actuation              | arbitrary |              |          |          |
| Switching principle    | magnetic  |              |          |          |

## Mechanical data

| Attribute      | 151SG010    | 151SG01003-1 | 151SG020 | 151SG030 |
|----------------|-------------|--------------|----------|----------|
| Dimensions     | 28,5x19x6,4 |              |          |          |
| Housing design | cuboid      |              |          |          |

## Material information

| Attribute        | 151SG010 | 151SG01003-1 | 151SG020 | 151SG030 |
|------------------|----------|--------------|----------|----------|
| Housing material | PA6      | PEI          | PA6      |          |
| Cable material   | PVC      |              |          |          |

## Environmental conditions

| Attribute  | 151SG010          | 151SG01003-1 | 151SG020 | 151SG030 |
|--|-------------------|--------------|----------|----------|
| Protection class                                 | IP67 DIN EN 60529 |              |          |          |
| Operating temperature min.                       | -25 °C            |              |          |          |
| Max. operating temperature                       | 70 °C             | 75 °C        | 70 °C    | 75 °C    |
| Min. storage temperature                         | -25 °C            |              |          |          |
| Max. storage temperature                         | 70 °C             | 75 °C        | 70 °C    |          |
| Min. cable temperature range, moving             | -5 °C             | -10 °C       |          | -5 °C    |
| Max. cable temperature range, moving             | 70 °C             | 90 °C        | 70 °C    |          |
| Min. cable temperature range, fixed installation | -30 °C            | -25 °C       | -30 °C   | -25 °C   |
| Max. cable temperature range, fixed installation | 70 °C             | 90 °C        | 70 °C    |          |

## Installation

| Attribute     | 151SG010 | 151SG01003-1 | 151SG020 | 151SG030 |
|---------------|----------|--------------|----------|----------|
| Mounting type | screwed  |              |          |          |

## Connection

| Attribute    | 151SG010 | 151SG01003-1 | 151SG020 | 151SG030 |
|--------------|----------|--------------|----------|----------|
| Cable length | 0.3 m    | 2 m          | 0.3 m    | 1 m      |