



Suction pipe S

The suction pipe can be used wherever liquids are removed from containers in combination with dosing systems. With suction pipe S, you achieve the highest level of process reliability and reduce downtimes to a minimum through the integrated level measurement. The application range spans from industrial dishwashers and washing machines to swimming pool technology, car wash systems, chemical technology, dosing technology and many others.

The canister or container can be cleanly changed thanks to the integrated leak protection in the suction pipe.

Product characteristics

- Level measurement on reed-contact basis
- With adjustable container screw joint
- Various hose connection sets and elbows available
- Available with pipe length up to 1200 mm
- Material: PVC, PP, PVDF
- Contact form: N.O., N.C., changeover
- Up to 2 switching points
- Temperature range is from -25 °C to +100 °C max (material dependent)
- Protection class inside container IP67
- Protection class outside container IP65

Technical drawing

IMAGE 1/3

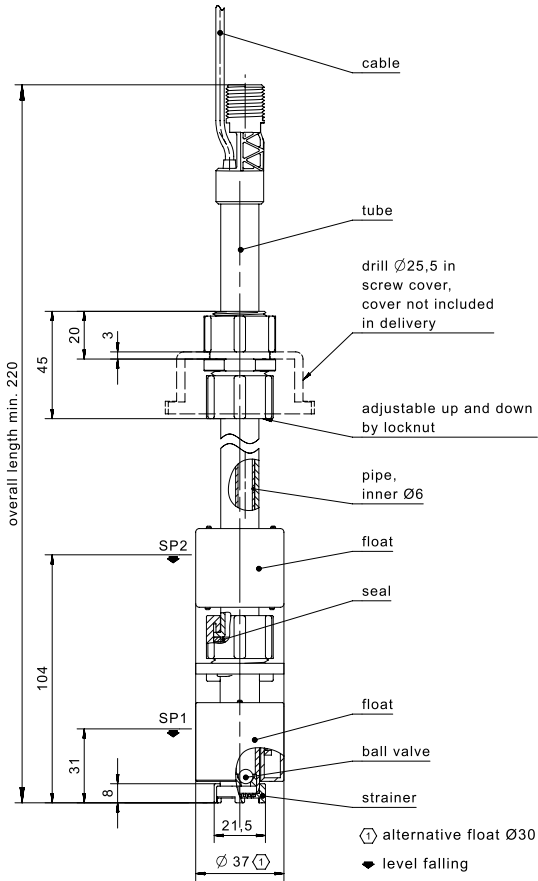


IMAGE 2/3

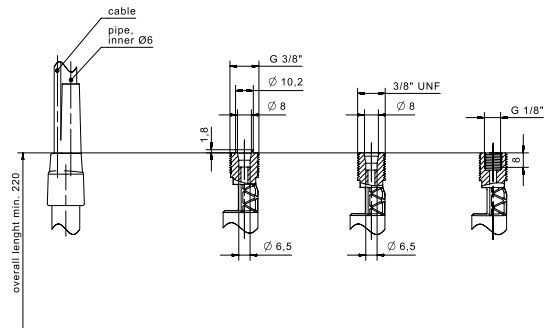
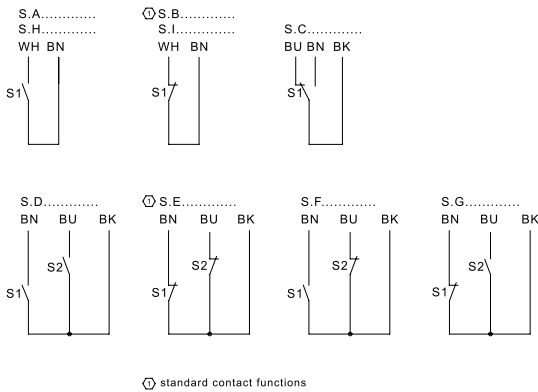


IMAGE 3/3



Electrical data

Attribute	S.B1V11..B....	S.B1V11..C....	S.B1V12..B....	S.E1V11..B....	S.E1V11..C....	S.E1V12..B....
Max. switching voltage	48 V DC					
Max. switching voltage	48 V AC					
Max. switching current	0.5 A					
Max. switching power	10 W					
Contact form	NC					
Output signal	digital					
Technology	Reed					
Number of switching points	1			2		

Mechanical data

Attribute	S.B1V11..B....	S.B1V11..C....	S.B1V12..B....	S.E1V11..B....	S.E1V11..C....	S.E1V12..B....
Recommended minimum density of the medium	0.7 g/cm ³					
Float diameter	30 mm		37 mm		30 mm	37 mm

Material information

Attribute	S.B1V11..B....	S.B1V11..C....	S.B1V12..B....	S.E1V11..B....	S.E1V11..C....	S.E1V12..B....
Housing material	PVC	PP	PVC		PP	PVC
Float material	PP		PVC	PP		PVC
Riser material	PVC	PP	PVC		PP	PVC
Sealing ring material	FKM					
Cable material	PVC					
Hose material	PE					
Valve ball material	Glas					

Environmental conditions

Attribute	S.B1V11..B....	S.B1V11..C....	S.B1V12..B....	S.E1V11..B....	S.E1V11..C....	S.E1V12..B....
Protection class head piece	IP65 DIN EN 60529					
Protection class below mounting boss	IP67 DIN EN 60529					
Operating temperature min.	-10 °C					
Max. operating temperature	60 °C	105 °C	60 °C		105 °C	60 °C

Installation

Attribute	S.B1V11..B....	S.B1V11..C....	S.B1V12..B....	S.E1V11..B....	S.E1V11..C....	S.E1V12..B....
Riser length	wählbar					
Installation opening	25.5					
Connection/outlets	wählbar					

Connection

Attribute	S.B1V11..B....	S.B1V11..C....	S.B1V12..B....	S.E1V11..B....	S.E1V11..C....	S.E1V12..B....
Connector type	-					
Cable length	wählbar					