



## Miniature float switch 20341109-1

Miniature float switch 20341109-1 is made of stainless steel and was developed for use in aggressive media, such as acids, and high temperature ranges (up to +160 °C).

At elobau, you set the standard. The miniature float switch can be fully customised using our online configurator.

### Product characteristics

- Level measurement on reed-contact basis
- Mounting options: G 1/8
- Material: stainless steel
- Switching voltage max. 250 V
- Contact form: N.O.
- One switching point as standard
- Temperature range from -25 °C to +160 °C
- IP67 protection class
- Extremely high pressure resistance up to 25 bar
- Optionally with temperature contact

Technical drawing

IMAGE 1/2

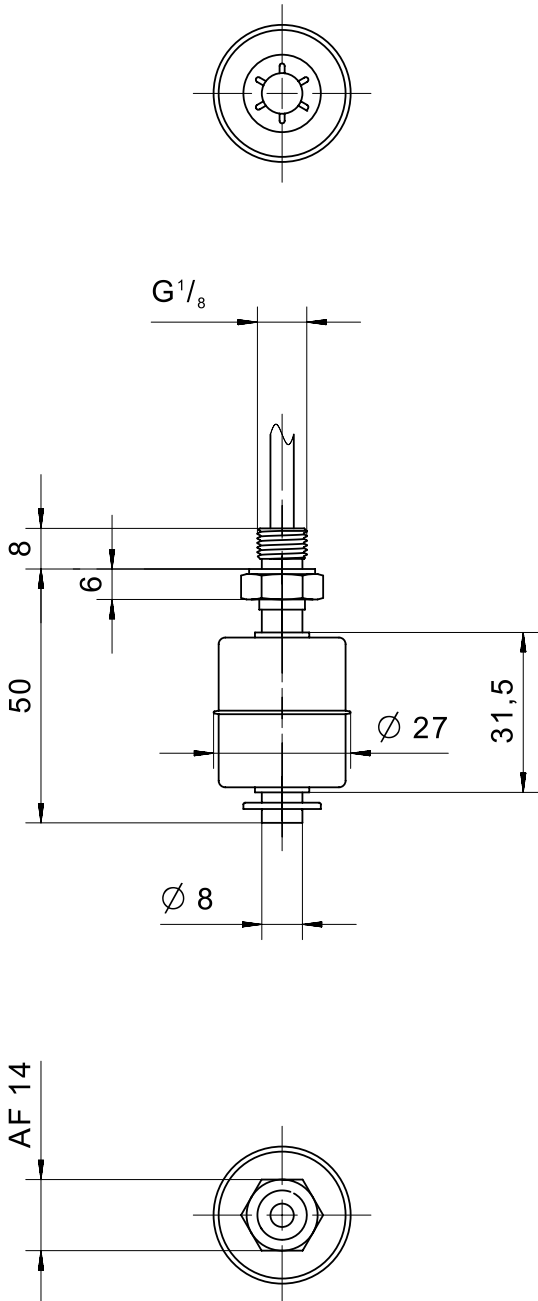
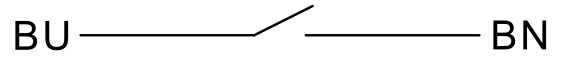


IMAGE 2/2



## Electrical data

Attribute	20341109-1
Max. switching voltage	250 V DC
Max. switching voltage	250 V AC
Max. switching current	0.5 A
Max. switching power	25 W
Contact form	1A
Output signal	digital
Technology	Reed
Switching point function	Falling level
Change of switching function by turning the float	no

## Mechanical data

Attribute	20341109-1
Recommended minimum density of the medium	0.67 g/cm <sup>3</sup>
Float diameter	27 mm
Version	Straight

## Material information

Attribute	20341109-1
Housing material	VA 1.4571
Float material	VA 1.4571
Riser material	VA 1.4571
Cable material	Silikon

## Environmental conditions

Attribute	20341109-1
Operating temperature min.	-25 °C
Max. operating temperature	160 °C
Pressure resistance	25 bar
Protection class outside container	IP67 DIN EN 60529
Protection class inside container	IP68 DIN EN 60529

## Installation

Attribute	20341109-1
Installation	from inside
Mounting type	Thread
Thread	G 1/8
Riser diameter	8 mm
Riser length	50 mm
Installation opening	G 1/8
Torque	5 N m

## Connection

Attribute	20341109-1
Connector type	-
Cable length	1 m