



## Miniature float switch 207A

elobau miniature float switch 207A with G 3/4 thread is used for level detection in tank monitoring, water processing, medical applications as well as in ink monitoring for automatic ink supply in industrial printers.

Float switch 207A is ideal for use in extremely tight spaces, as the outside mounting requires minimal installation space, and it has an extremely narrow float.

At elobau, you set the standard. The miniature float switch can be fully customised using our online configurator.

### Product characteristics

- Level measurement on reed-contact basis
- Mounting options: G 3/4
- Material: housing – PVC / float – PP
- Switching voltage max. 48 V
- Contact form: N.O., N.C., changeover
- One switching point as standard
- Temperature range -10 °C to +65 °C
- IP67 protection class

Technical drawing

IMAGE 1/2

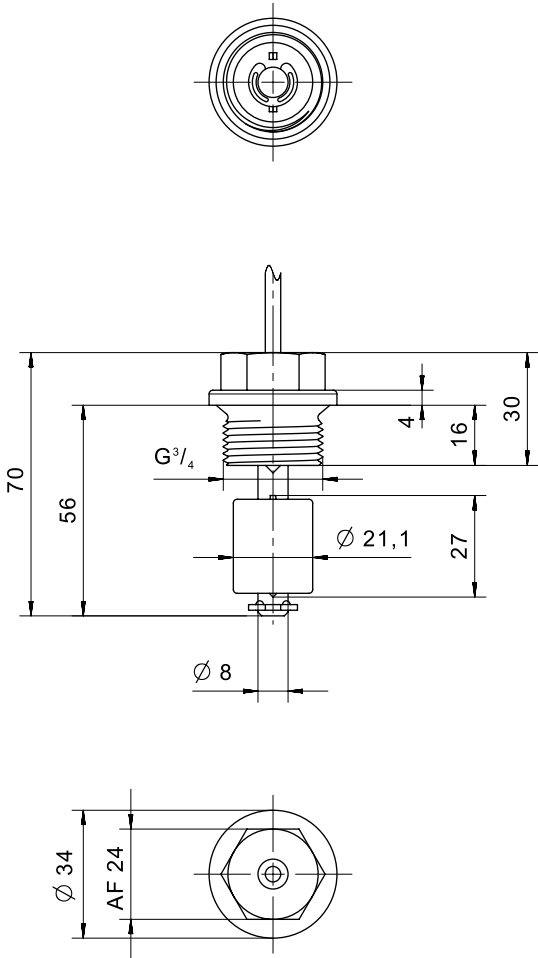
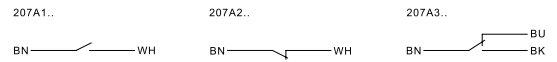


IMAGE 2/2



## Electrical data

Attribute	207A10	207A20	207A30
Max. switching voltage	48 V DC		
Max. switching voltage	48 V AC		
Max. switching current	0.5 A		0.3 A
Max. switching power	10 W		3 W
Contact form	1A	1B	1C
Output signal	digital		
Technology	Reed		
Switching point function	Rising level		
Change of switching function by turning the float	no		

## Mechanical data

Attribute	207A10	207A20	207A30
Recommended minimum density of the medium	0.7 g/cm <sup>3</sup>		
Float diameter	21 mm		
Version	Straight		

## Material information

Attribute	207A10	207A20	207A30
Housing material	PVC		
Float material	PP		
Riser material	PVC		
Cable material	PVC		

## Environmental conditions

Attribute	207A10	207A20	207A30
Operating temperature min.		-10 °C	
Max. operating temperature		65 °C	
Pressure resistance		3 bar	
Protection class outside container		IP67 DIN EN 60529	
Protection class inside container		IP68 DIN EN 60529	

## Installation

Attribute	207A10	207A20	207A30
Installation		from outside	
Mounting type		Thread	
Thread		G 3/4	
Riser diameter		8 mm	
Riser length		56 mm	
Installation opening		G 3/4	
Torque		10 N m	

## Connection

Attribute	207A10	207A20	207A30
Connector type		-	
Cable length		1 m	