



Miniature float switch 2011.0

elobau miniature float switch 2011.0 with G 3/8 thread is typically used for level detection in medical applications, e.g., in cleaning containers of dialysis devices. The compact design and reliability also make this ideal for use in water processing plants and tanks.

At elobau, you set the standard. The miniature float switch can be fully customised using our online configurator.

Product characteristics

- Level measurement on reed-contact basis
- Extremely compact design, one of the smallest float switches available on the market
- Mounting options: G 3/8
- With lock nut for easy installation
- Material: PVC (other materials on request: PP or PA)
- Switching voltage max. 48 V
- Contact form: N.O., N.C., changeover
- One switching point as standard
- Temperature range (PVC) from -10 °C to +65 °C max.
- IP67 protection class

Technical drawing

IMAGE 1/2

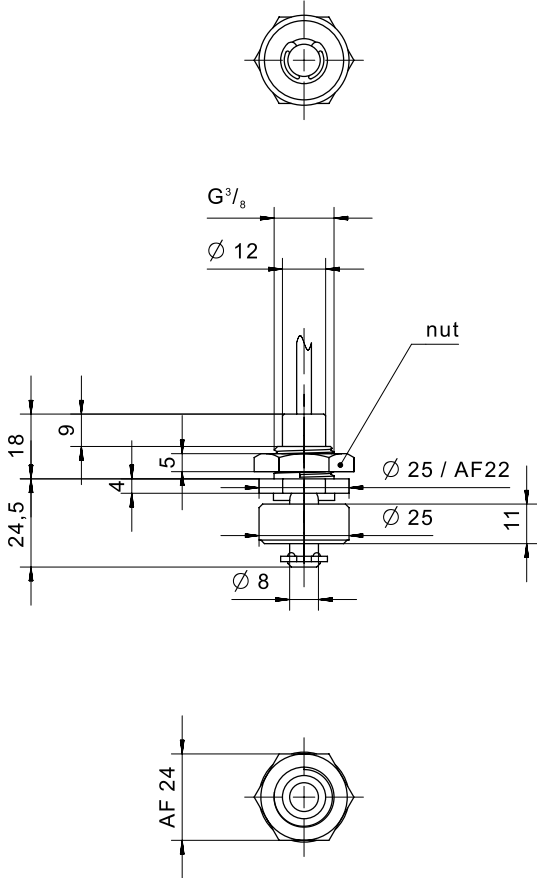
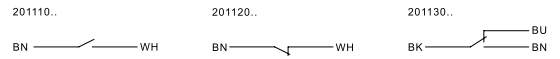


IMAGE 2/2



Electrical data

Attribute	201110	201120	201130
Max. switching voltage	48 V DC		
Max. switching voltage	48 V AC		
Max. switching current	0.5 A		0.3 A
Max. switching power	10 W		3 W
Contact form	1A	1B	1C
Output signal	digital		
Technology	Reed		
Switching point function	Rising level		
Change of switching function by turning the float	no		

Mechanical data

Attribute	201110	201120	201130
Recommended minimum density of the medium	0.8 g/cm ³		
Float diameter	25 mm		
Version	Straight		

Material information

Attribute	201110	201120	201130
Housing material	PVC		
Float material	PVC		
Riser material	PVC		
Cable material	PVC		

Environmental conditions

Attribute	201110	201120	201130
Operating temperature min.		-10 °C	
Max. operating temperature		65 °C	
Pressure resistance		3 bar	
Protection class outside container		IP67 DIN EN 60529	
Protection class inside container		IP68 DIN EN 60529	

Installation

Attribute	201110	201120	201130
Installation		from inside	
Mounting type		Thread	
Thread		G 3/8	
Riser diameter		8 mm	
Riser length		25 mm	
Installation opening		G 3/8	
Torque		3 N m	

Connection

Attribute	201110	201120	201130
Connector type		-	
Cable length		1 m	