



Fuel level sensor 298

Fuel level sensor 298 is typically used for measuring the level of fuels (petrol, (bio-)diesel, kerosene, methanol), coolant, oil, water or various chemical media. The reed technology provides fault-free and reliable level monitoring. In asymmetrical tanks the fluid levels can also be output in linearised form. Additionally, different process connections offer a high degree of connection flexibility.

In addition to our standard fuel level sensors, we can also offer customised solutions to suit your specific application. Contact us for more details.

Product characteristics

- Level measurement on reed-contact basis
- Installation with 5-hole flange, 4-hole flange or G1.5 or G2 mounting thread
- Available with pipe length up to 1200 mm
- Material: PA, aluminium or stainless steel
- Output signal: resistance change
- Measurement resolution at intervals of 10-35 mm (standard 20 mm)
- Temperature range from -40 °C to +85 °C
- IP67 protection class
- Optionally with temperature sensor

Technical drawing

IMAGE 1/4

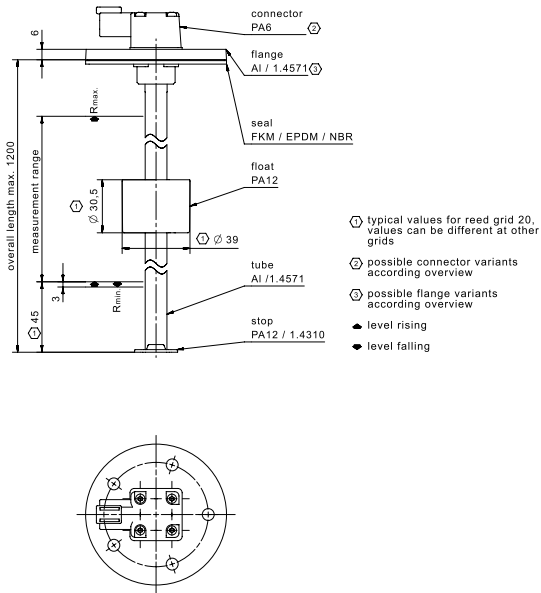


IMAGE 2/4

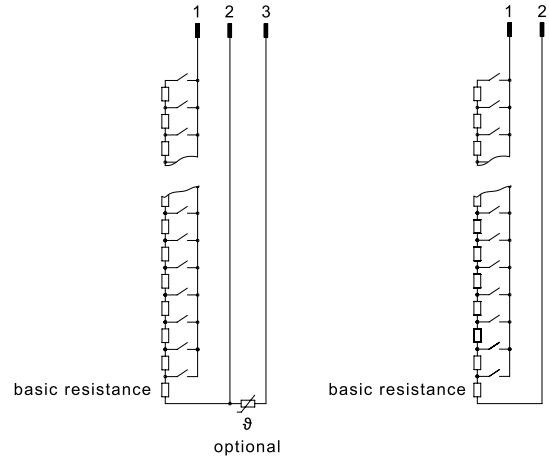


IMAGE 3/4

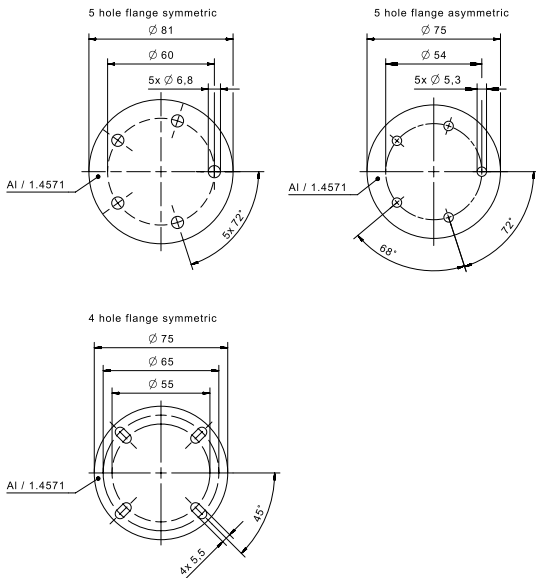
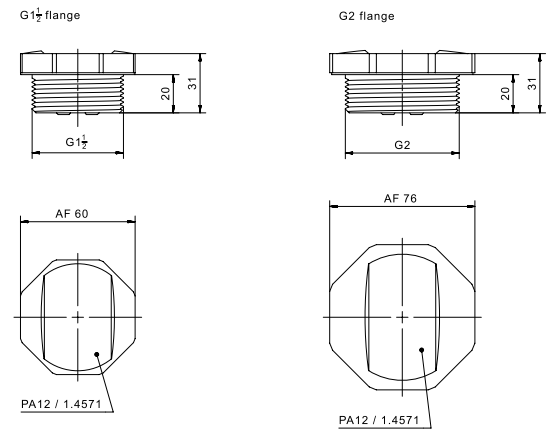


IMAGE 4/4



Electrical data

Attribute	298289...
Min. resistance value	33 Ohm
Max. resistance value	240 Ohm
Operating voltage max.	48 V DC
Technology	Reed
Spacing	20 mm
Basic resistance	33 Ohm
Temperature output	no
R max.	above
Lower blind zone	48 mm

Mechanical data

Attribute	298289...
Recommended minimum density of the medium	0.7 g/cm ³
Float diameter	39 mm
Immersion depth with density of 1 g/mm ³	18 mm

Material information

Attribute	298289...
Housing material	Aluminium
Float material	PA12
Riser material	Aluminium
Sealing material	FKM

Environmental conditions

Attribute	298289...
Protection class, mechanical	IP67 DIN EN 60529
Operating temperature min.	-40 °C
Max. operating temperature	85 °C
Min. storage temperature	-40 °C
Max. storage temperature	85 °C

Installation

Attribute	298289...
Mounting type	5-hole flange, asymmetrical
Riser diameter	12 mm
Installation opening	41 mm
Bolt circle	54 mm
Riser length	wählbar

Connection

Attribute	298289...
Connector type	AMP Superseal-2P
Connector version	Angled