

Spacers 35000

Safety sensors and corresponding magnets should not be fastened directly to ferrous material. We recommend using our spacers.

Product characteristics

- Enables direct mounting of safety sensors and actuators onto ferrous materials

Technical drawing

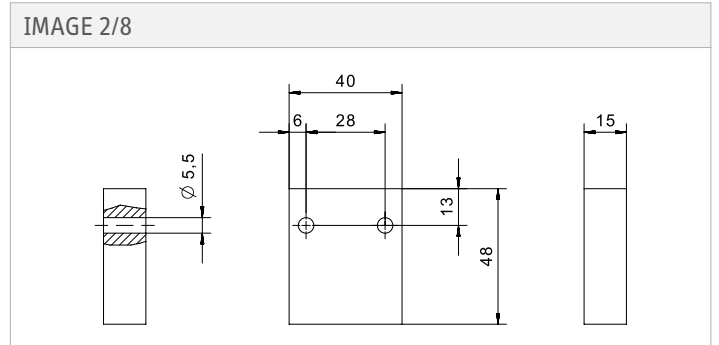
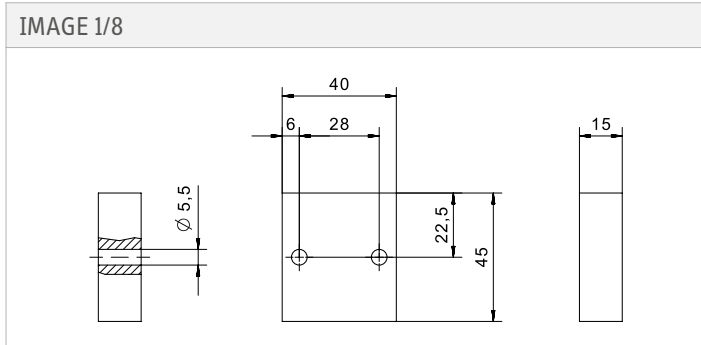


IMAGE 3/8

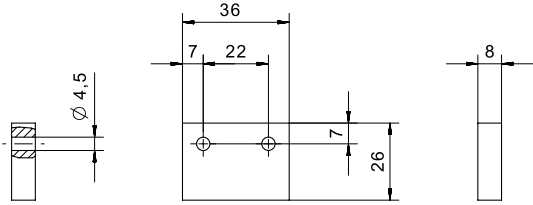


IMAGE 4/8

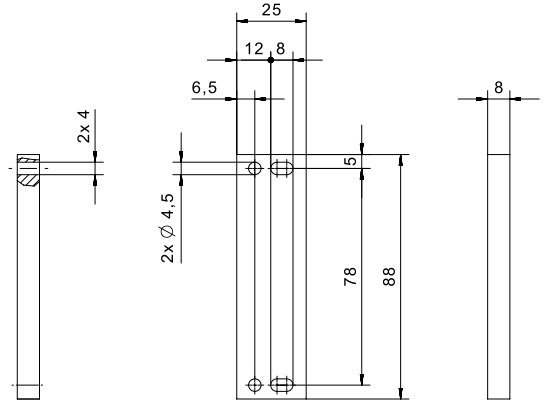


IMAGE 5/8

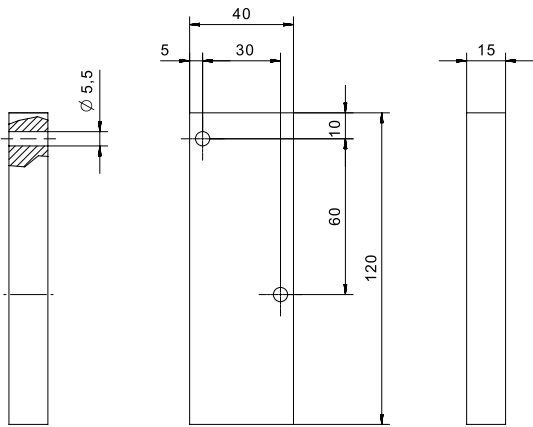


IMAGE 6/8

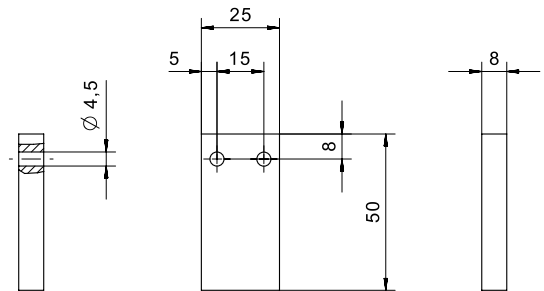


IMAGE 7/8

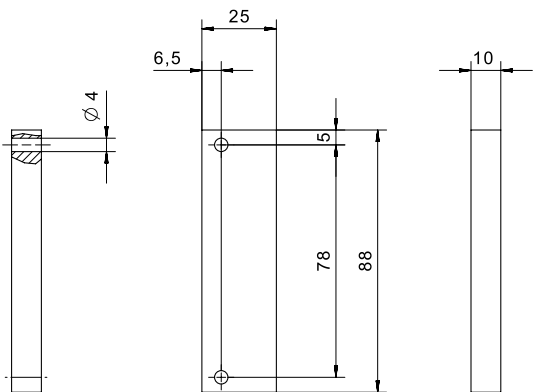


IMAGE 8/8

