



Emergency stop button NHT04S

In addition to the illuminated anti-obstruction protective collar, emergency stop button NHT04S also has a key release. This ensures that only authorised persons can restart the machine after it has been stopped.

- Technical specifications
- Latching detent for anti-rotation protection and to prevent easy removal
- Optical switch position indicator (green ring)
- LED illumination available with the corresponding contact elements
- When used in combination with emergency stop enclosure NHG01, it can be used as a surface mounted version
- Matching installation wrench MS01 for simple installation
- Key release

Suitable contact elements:

KE20 Contact element with 2 N.C. contacts

KE20SF Contact element with 2 N.C. contacts + failure protection*

KE21 Contact element with 2 N.C. contacts + 1 N.O. contact

KE21SF Contact element with 2 N.C. contacts + 1 N.O. contact + failure protection*

KE20SFB Contact element with 2 N.C. contacts + failure protection* + illumination

KE21SFB Contact element with 2 N.C. contacts + 1 N.O. contact + failure protection* + illumination

*The failure protection system detects whether the contact elements are assembled correctly and switches the safety circuit off if a contact element should detach due to external influences.

The following safety control units / safety relays are suited for integration into the safety product line:

463 111 B1 1 input for 2 N.O. sensor / emergency stop button

463 111 B2 2 inputs for 2 N.O. sensors / emergency stop buttons

463 114 B1 1 input for 2 N.O. sensor / emergency stop button

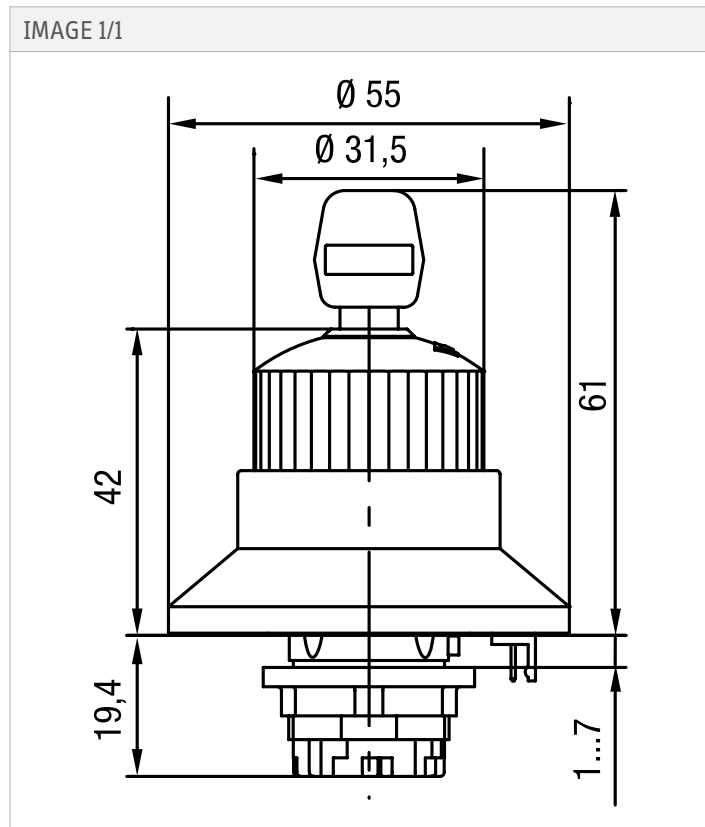
463 114 B2 2 inputs for 2 N.O. sensors / emergency stop buttons

470 111 B1 2 inputs for 2 N.O. sensors / emergency stop buttons

471 115 B1 2 inputs for 2 N.O. sensors / emergency stop buttons

471... eloFlex 4 two-channel inputs, freely configurable
485 EP... eloProg up to 128 inputs, freely configurable

Technical drawing



Properties

Attribute	NHT04S
Illumination	Yes
Unlocking device	Key release
Anti-obstruction protective collar	yes
Operation protective collar	no

Mechanical data

Attribute	NHT04S
Service life, mechanical (Cycles)	100000
Dimensions	Ø55 x 80,4 mm
Detent present	yes

Material information

Attribute	NHT04S
Housing material	Kunststoff
Housing colour	Frontrahmen: gelbPilkopf: rot

Environmental conditions

Attribute	NHT04S
Protection class	IP54 DIN EN 60529
Operating temperature min.	-30 °C
Max. operating temperature	55 °C
Min. storage temperature	-50 °C
Max. storage temperature	85 °C

Installation

Attribute	NHT04S
Mounting type	Fastening nut
Installation opening	Ø22,3 mm Einbauöffnung für Beleuchtungsanschluss notwendig
Installation	from above
Torque for nuts	2,2 N m
Installation depth	19.4 mm

Approvals

Attribute	NHT04S
Certified in accordance with	EN 60947-5-5 EN 60947-5-1 EN ISO 13850 UL 508 / CSA 22.2
CE label	yes
Hygienic approval	no