



## Emergency stop button NHT02D

Thanks to its gaiter-sealed design and hygiene certification, the emergency stop button NHT02D is suitable for use on food-processing machinery – in the food zone as well as in the splash and non-food zone.

### Technical specifications

- High IP6K9K protection class ensures resistance to aggressive cleaning agents and disinfectants, and ability to withstand intensive cleaning.
- Latching detent for anti-rotation protection and to prevent easy removal
- Simple rotary release
- Matching installation wrench MS01 for simple installation

#### Suitable contact elements:

KE20 Contact element with 2 N.C. contacts

KE20SF Contact element with 2 N.C. contacts + failure protection\*

KE21 Contact element with 2 N.C. contacts + 1 N.O. contact

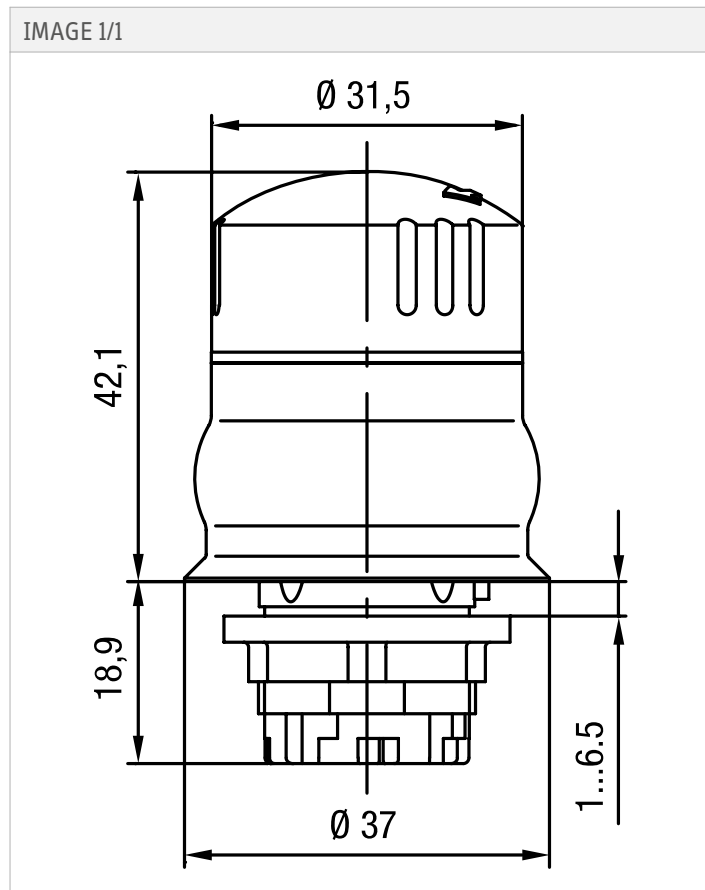
KE21SF Contact element with 2 N.C. contacts + 1 N.O. contact + failure protection\*

\*The failure protection system detects whether the contact elements are assembled correctly and switches the safety circuit off if a contact element should detach due to external influences.

#### The following safety control units / safety relays are suited for integration into the safety product line:

- 463 111 B1 1 input for 2 N.O. sensor / emergency stop button
- 463 111 B2 2 inputs for 2 N.O. sensors / emergency stop buttons
- 463 114 B1 1 input for 2 N.O. sensor / emergency stop button
- 463 114 B2 2 inputs for 2 N.O. sensors / emergency stop buttons
- 470 111 B1 2 inputs for 2 N.O. sensors / emergency stop buttons
- 470 221 E1 U 1 input for N.O. / N.C sensor and 1 for 2 N.O. sensor / emergency stop button
- 471 115 B1 2 inputs for 2 N.O. sensors / emergency stop buttons
- 471 M41 H31 4 inputs for 2 N.O. sensors / emergency stop buttons
- 471... eloFlex 4 two-channel inputs, freely configurable
- 485 EP... eloProg up to 128 inputs, freely configurable

**Technical drawing**



## Properties

Attribute	NHT02D
Illumination	No
Unlocking device	Rotary release left/right
Anti-obstruction protective collar	no
Operation protective collar	no

## Mechanical data

Attribute	NHT02D
Service life, mechanical (Cycles)	6050
Dimensions	Ø37 x 61 mm
Detent present	yes

## Material information

Attribute	NHT02D
Housing material	Kunststoff
Housing colour	Frontrahmen: gelb Pilzkopf: rot

## Environmental conditions

Attribute	NHT02D
Protection class	IP69K DIN EN 60529
Operating temperature min.	-30 °C
Max. operating temperature	70 °C
Min. storage temperature	-50 °C
Max. storage temperature	85 °C

## Installation

Attribute	NHT02D
Mounting type	Fastening nut
Installation opening	Ø22,3 mm
Installation	from above
Torque for nuts	1,5 - 2,2 N m
Installation depth	18.9 mm

## Approvals

Attribute	NHT02D
Certified in accordance with	EN 60947-5-5 EN 60947-5-1 EN ISO 13850 DIN EN 1672-2 GS-FW 01/01 UL 508 / CSA 22.2
CE label	yes
Hygienic approval	yes