

Safety sensor 161

The nearly square 161 safety sensors are available with various connection options and LED status monitoring.

Technical specifications

- Available connection types: cable outlet, M8 and M12 housing connectors
- Optionally with LED display

Technical drawing

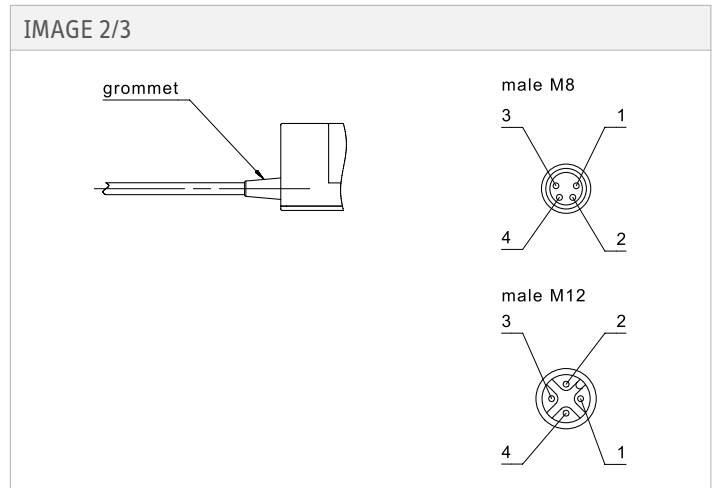
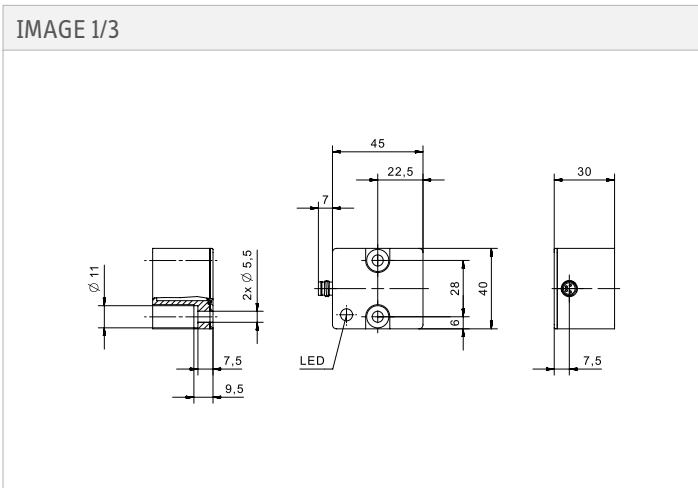
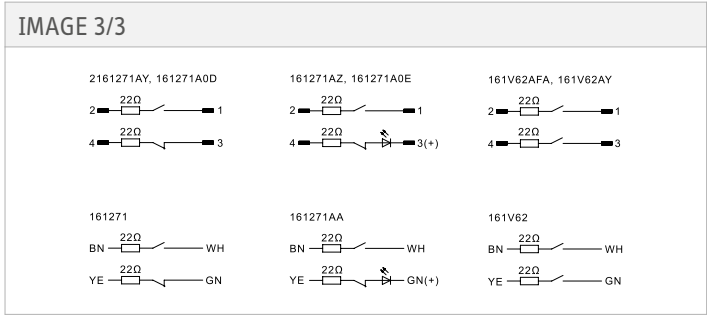


IMAGE 3/3



Electrical data

Attribute	161V62	161V62AFA	161V62AY	161271	161271AA	161271AY ▶
Min. switching voltage	19.2 V DC					
Max. switching voltage	28.8 V DC					
Max. switching current	0.1 A					
Max. switching current with LED	-				0.01 A	-
Max. switching power	3 W					
Switching frequency	5 Hz					
Assured switching distance (Sao)	4 mm					
Assured switch-off distance (Sar)	16 mm					
Minimum switching distance (S0 min)	0.5 mm					
LED display	No				single-coloured	No
Actuation	front					
Switching principle	magnetic					
Series resistor	22 Ohm					
Technology	Reed					
Contact form	NO/NO			NO/NC		
Pollution degree	3					
Protection class	III					

Electrical data

Attribute	161271AZ	161271A0D	161271A0E
Min. switching voltage	19.2 V DC		
Max. switching voltage	28.8 V DC		
Max. switching current	0.1 A		
Max. switching current with LED	0.01 A	-	0.01 A
Max. switching power	3 W		
Switching frequency	5 Hz		
Assured switching distance (Sao)	4 mm		
Assured switch-off distance (Sar)	16 mm		
Minimum switching distance (SO min)	0.5 mm		
LED display	single-coloured	No	single-coloured
Actuation	front		
Switching principle	magnetic		
Series resistor	22 Ohm		
Technology	Reed		
Contact form	NO/NC		
Pollution degree	3		
Protection class	III		

Safety-related characteristics

Attribute	161V62	161V62AFA	161V62AY	161271	161271AA	161271AY ▶
Coding acc. to EN ISO 14119	Low					
B10d acc. to EN ISO 13849-1	20000000					
Type acc. to EN ISO 14119	4					
Mission time in years	20 a					
Structure acc. to EN ISO 13849-1	Two-channel					

Safety-related characteristics

Attribute	161271AZ	161271A0D	161271A0E
Coding acc. to EN ISO 14119	Low		
B10d acc. to EN ISO 13849-1	20000000		
Type acc. to EN ISO 14119	4		
Mission time in years	20 a		
Structure acc. to EN ISO 13849-1	Two-channel		

Mechanical data

Attribute	161V62	161V62AFA	161V62AY	161271	161271AA	161271AY ▶
Housing design	rectangular					
Dimensions	45 x 40 x 30 mm					
Minimum installation distance (between two sensors)	50 mm					
cannot be mounted flush	yes					
Detent present	no					

Mechanical data

Attribute	161271AZ	161271A0D	161271A0E
Housing design	rectangular		
Dimensions	45 x 40 x 30 mm		
Minimum installation distance (between two sensors)	50 mm		
cannot be mounted flush	yes		
Detent present	no		

Material information

Attribute	161V62	161V62AFA	161V62AY	161271	161271AA	161271AY ▶
Housing material	PBT					
Cable material	PVC	-		PVC		-
Housing colour	schwarz					

Material information

Attribute	161271AZ	161271A0D	161271A0E
Housing material	PBT		
Cable material	-		
Housing colour	schwarz		

Environmental conditions

Attribute	161V62	161V62AFA	161V62AY	161271	161271AA	161271AY ▶
Min. storage temperature	-25 °C					
Max. storage temperature	75 °C					
Protection class	IP67 DIN EN 60529					
Protection class, connector	-	IP67 DIN EN 60529		-		IP67 DIN EN 60529
Operating temperature min.	-25 °C					
Max. operating temperature	75 °C					
Min. cable temperature range, moving	-5 °C	-		-5 °C		-
Max. cable temperature range, moving	70 °C	-		70 °C		-
Min. cable temperature range, fixed installation	-25 °C	-		-25 °C		-
Max. cable temperature range, fixed installation	70 °C	-		70 °C		-
Shock resistance (Norm)	30g / 11ms					
Vibration resistance (Norm)	10 - 55Hz					

Environmental conditions

Attribute	161271AZ	161271A0D	161271A0E
Min. storage temperature		-25 °C	
Max. storage temperature		75 °C	
Protection class		IP67 DIN EN 60529	
Protection class, connector		IP67 DIN EN 60529	
Operating temperature min.		-25 °C	
Max. operating temperature		75 °C	
Min. cable temperature range, moving		-	
Max. cable temperature range, moving		-	
Min. cable temperature range, fixed installation		-	
Max. cable temperature range, fixed installation		-	
Shock resistance (Norm)		30g / 11ms	
Vibration resistance (Norm)		10 - 55Hz	

Installation

Attribute	161V62	161V62AFA	161V62AY	161271	161271AA	161271AY ▶
Mounting type	screwed					
Installation	arbitrary					

Installation

Attribute	161271AZ	161271A0D	161271A0E
Mounting type		screwed	
Installation		arbitrary	

Connection

Attribute	161V62	161V62AFA	161V62AY	161271	161271AA	161271AY ▶
Connector type	-	M8x1 - 4 polig	M12x1 - 4 polig	-	-	M12x1 - 4 polig
Cable length	1 m	-	-	1 m	-	-
Number of strands	4	-	-	4	-	-
Wire cross section	0.25 mm ²	-	-	0.25 mm ²	-	-
Cable type	LiYY 4x0,25	-	-	LiYY 4x0,25	-	-
Cable colour	grau	-	-	grau	-	-

Connection

Attribute	161271AZ	161271A0D	161271A0E
Connector type	M12x1 - 4 polig	M8x1 - 4 polig	
Cable length	-	-	-
Number of strands	-	-	-
Wire cross section	-	-	-
Cable type	-	-	-
Cable colour	-	-	-

Approvals

Attribute	161V62	161V62AFA	161V62AY	161271	161271AA	161271AY ▶
CE label	yes					
Certified in accordance with	ETL	CE		ETL		CE

Approvals

Attribute	161271AZ	161271A0D	161271A0E
CE label	yes		
Certified in accordance with	CE		ETL

Operating data

Attribute	161V62	161V62AFA	161V62AY	161271	161271AA	161271AY ▶
Possible actuators	30422112					

Operating data

Attribute	161271AZ	161271A0D	161271A0E
Possible actuators	30422112		