

Hand throttle 351H008

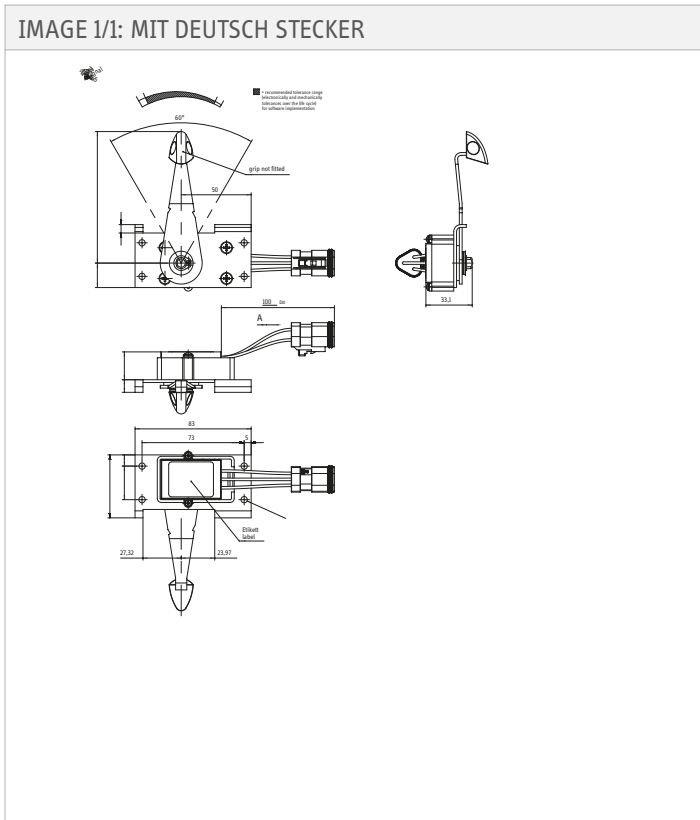
The hand throttle is used in control panels and armrests for speed regulation. The hand throttle is primarily used in tractors and agricultural machinery. With the friction brake, the hand throttle lever can be fixed in a certain position in order to maintain a constant speed. This simplifies uniform work in the field.

Product characteristics:

- Long service life due to contactless Hall-effect technology
- Developed for harsh operating conditions, high protection class IP67 for electronics
- Specific lever versions and mounting plates are available
- Available with different output signals: analogue, redundant as well as with current and voltage output available
- Fast and simple installation
- Connection with Deutsch connector, robust and sealed

Technical drawing

IMAGE 1/1: MIT DEUTSCH STECKER



Electrical data

Attribute	351H008A1	351H008A6	351H008A7
Polarity reversal protection	yes		
Output signal min.	-	0.5 V DC	
Output signal max.	-	4.5 V DC	
Output signal min.	4 mA	-	
Output signal max.	20 mA	-	
Output signal	analogue		
Operating voltage min.	10 V DC	4.5 V DC	10 V DC
Operating voltage max.	30 V DC	5.5 V DC	30 V DC
Current consumption	bei 12 V max. 18 mA	max. 15 mA	bei 12 V max. 18 mA
Technology	Hall		

Mechanical data

Attribute	351H008A1	351H008A6	351H008A7
Lever length	94 mm		
Deflection	60 °		

Environmental conditions

Attribute	351H008A1	351H008A6	351H008A7
Protection class, electronic	IP67 DIN EN 60529		
Operating temperature min.	-25 °C		
Max. operating temperature	85 °C		
Min. storage temperature	-40 °C		
Max. storage temperature	85 °C		

Installation

Attribute	351H008A1	351H008A6	351H008A7
Mounting type	screwed		

Connection

Attribute	351H008A1	351H008A6	351H008A7
Connector type	Deutsch		
Cable type	FLRY		
Cable length	0.1 m		