



Power take off switch 145PTO

Power take off switch 145PTO is a robust, intuitive push button with switch-off function. It is used primarily in agricultural machinery for safely switching the front or rear PTO shaft on and off.

To prevent unintentional actuation, the required function can only be switched on by unlocking the button.

Technical specifications

- Contactless switching principle through reed technology
- Operating temperature -40°C to +85°C acc. to DIN IEC 68
- Simple installation
- Developed for harsh operating conditions with internal electronics sealed to IP67 protection class

Technical drawing

IMAGE 1/2: PTO-TASTER MIT AMP SUPER-SEAL-STECKER

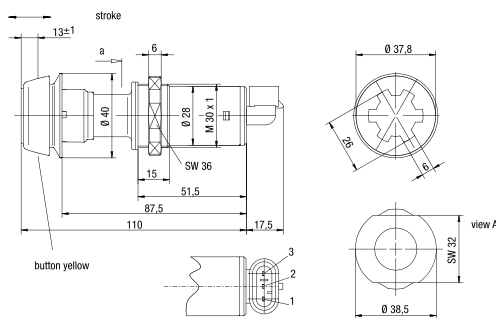
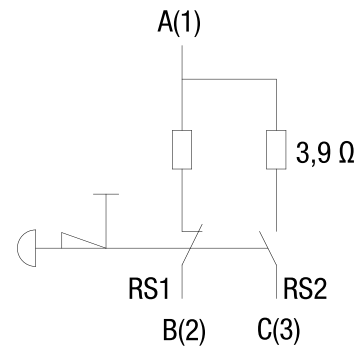


IMAGE 2/2: SCHALTBILD PTO-TASTER MIT SUPER-SEAL-STECKER



Electrical data

Attribute	145PT010B00
Max. switching voltage	48 V DC
Max. switching current	0.5 A
Max. switching power	10 W
Max. switching power	10 VA
Contact form	NO
Series resistor	3.9 Ohm

Environmental conditions

Attribute	145PT010B00
Protection class, electronic	IP67 DIN EN 60529
Operating temperature min.	-40 °C
Max. operating temperature	85 °C
Min. storage temperature	-40 °C
Max. storage temperature	85 °C

Installation

Attribute	145PT010B00
Installation	from above
Mounting type	screwed
Thread	M30

Connection

Attribute	145PT010B00
Connector type	AMP Superseal 1.5 282105-1 3Pin