



Power take off switch 145PTO

With cable.

The power take off push button switch 145PTO with E-stop function is used primarily in agricultural machinery for safely switching the front or rear PTO shaft on and off.

Technical specifications

- Contactless switching principle through reed technology
- Operating temperature -40°C to +85°C acc. to DIN IEC 68
- Simple installation
- Developed for harsh operating conditions with internal electronics sealed to IP67 protection class

Technical drawing

IMAGE 1/2: 45PTO10A00 PTO-TASTER MIT KABEL

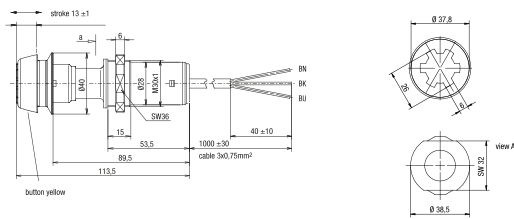
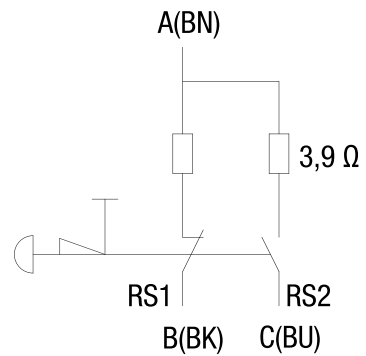


IMAGE 2/2: SCHALTBILD PTO-TASTER MIT KABEL



Electrical data

Attribute	145PT010A00
Max. switching voltage	48 V DC
Max. switching current	0.5 A
Max. switching power	10 W
Max. switching power	10 VA
Contact form	NO
Series resistor	3.9 Ohm

Environmental conditions

Attribute	145PT010A00
Protection class, electronic	IP67 DIN EN 60529
Operating temperature min.	-40 °C
Max. operating temperature	85 °C
Min. storage temperature	-40 °C
Max. storage temperature	85 °C

Installation

Attribute	145PT010A00
Installation	from above
Mounting type	screwed
Thread	M30

Connection

Attribute	145PT010A00
Cable type	BOY11Y PUR
Cable length	1 m