



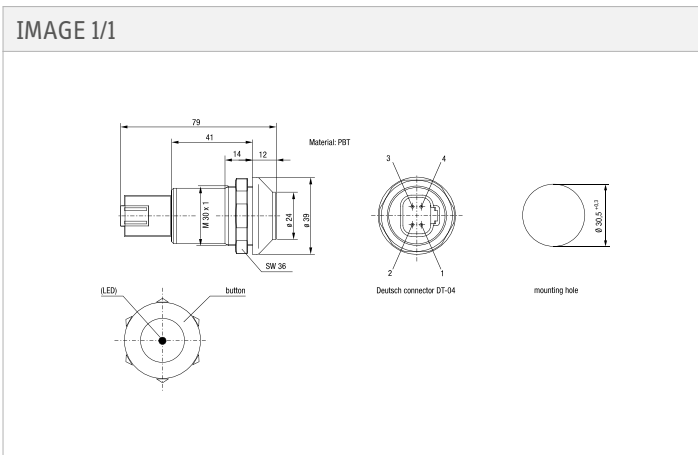
Push button switch 145...AE

This robust push button switch with 4-pole Deutsch connector is designed for applications that are exposed to adverse environmental conditions. The M30 push button switch is ideally suited for use in the automotive engineering sector, for example, for controlling hydraulic functions. The switching element, which is completely separated from the mechanics, resists dust, dirt and moisture, thanks to its IP67 protection class.

Technical specifications

- Long service life thanks to the magnetic actuation principle
- Wear-free reed contacts for low switching currents
- Developed for harsh operating conditions with internal electronics sealed to IP67 protection class
- Available with various button colours and symbols to suit the application
- Various connector types available for a wide range of uses

Technical drawing



Electrical data

| Attribute | 145...AE. |
|------------------------|-----------|
| Max. switching voltage | 48 V DC |
| Max. switching power | 10 W |
| Max. switching power | 10 VA |

Mechanical data

| Attribute | 145...AE. |
|-----------------------------------|-----------|
| Service life, mechanical (Cycles) | 2000000 |

Environmental conditions

| Attribute | 145...AE. |
|---|-------------------|
| Protection class, mechanical | IP65 DIN EN 60529 |
| Protection class above installation level | IP65 DIN EN 60529 |
| Protection class, electronic | IP67 DIN EN 60529 |
| Operating temperature min. | -20 °C |
| Max. operating temperature | 100 °C |
| Min. storage temperature | -40 °C |
| Max. storage temperature | 100 °C |

Installation

| Attribute | 145...AE. |
|---------------|------------|
| Installation | from above |
| Mounting type | screwed |

Connection

| Attribute | 145...AE. |
|----------------|---------------|
| Connector type | Deutsch DT-04 |