



Robust joystick J7

Robust joystick J7 was developed primarily for installation in the armrests of mobile machinery. The design combines a high level of robustness, safety and reliability in a compact space. It is ideally suited for high load and high use applications.

Technical specifications

- Developed for adverse environmental conditions, IP67 protection class (electronics)
- For forces up to 1000 N in x and y direction
- Space-saving design allows ergonomic arrangement in armrests
- High reliability thanks to shielded, contactless Hall technology
- Friction brake, overpressure points and no-detent actuation enables the operation of various functions

Technical drawing

IMAGE 1/4: J7 GRIFFVERSION

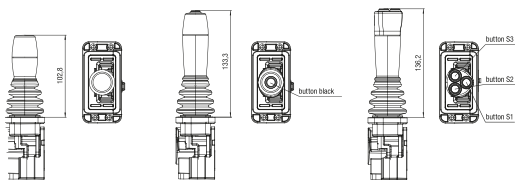


IMAGE 2/4: J7, DOPPELTES TOLERANZBAND

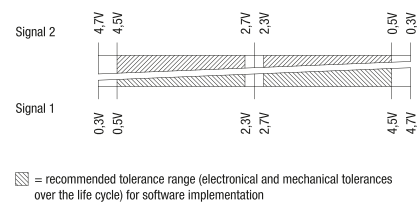


IMAGE 3/4: ANALOG

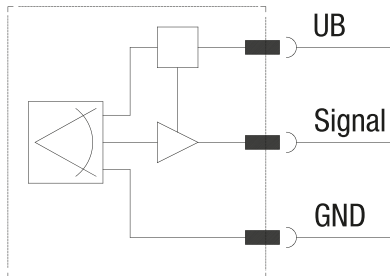
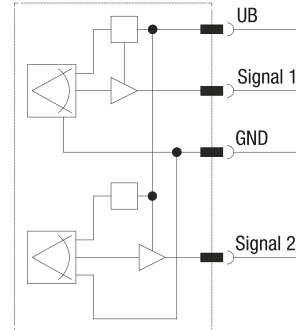


IMAGE 4/4: ANALOG UND HALBREDUNDANT



Electrical data

Attribute	J7A6...	J7CJ...	J7CO...	J7H6...	J7R6...
Polarity reversal protection	yes				
Output signal min.	0.5 V DC	-	-	0.5 V DC	-
Output signal max.	4.5 V DC	-	-	4.5 V DC	-
Output signal	analogue	-	-	analogue	-
Output signal - centre position/zero position	2.5 V DC	-	-	2.5 V DC	-
Output polarity	-			opposite	
Operating voltage min.	4.5 V DC	9 V DC		4.5 V DC	
Operating voltage max.	5.5 V DC	36 V DC		5.5 V DC	
Current consumption	max. 15 mA	< 120 mA		pro Signal max. 15 mA	
Load resistance min.	20000 Ohm	-	-	20000 Ohm	
Short-circuit resistance to GND	yes				
Short-circuit resistance to supply	yes				
Technology	Hall				
Protocol	-	J1939	CANopen	-	-
Node ID / Source Address	-	0x70	0x11	-	-
Transmitting cycle	-	100 ms		-	-
Baud rate	-	250 kBit/s		-	-
Bus terminating resistor	-	no		-	-

Mechanical data

Attribute	J7A6...	J7CJ...	J7CO...	J7H6...	J7R6...
Max. lever load with specified lever length	bei 112 mm 1000 N				
Deflection	± 25 °				
Service life, mechanical (Cycles)	4000000				

Material information

Attribute	J7A6...	J7CJ...	J7CO...	J7H6...	J7R6...
Gaiter material	CR				

Environmental conditions

Attribute	J7A6...	J7CJ...	J7CO...	J7H6...	J7R6...
Protection class, electronic	IP67 DIN EN 60529				
Operating temperature min.	-25 °C				
Max. operating temperature	85 °C				
Min. storage temperature	-40 °C				
Max. storage temperature	85 °C				

Installation

Attribute	J7A6...	J7CJ...	J7CO...	J7H6...	J7R6...
Installation	from below				
Mounting type	screwed from above				

Connection

Attribute	J7A6...	J7CJ...	J7CO...	J7H6...	J7R6...
Connector type	Mini-Fit Jr.				
Cable type	FLRY				
Cable length	0.3 m				